

Specifications

备注 (Remark)

1. 材料 (MATERIAL)

胶芯: PBT+30%G F UL94V-0, 颜色: 灰色.

Housing: UL94V-0 RATED GLASS FILLED GRY PBT+30%G F, Color: Grey

四方针: 黄铜, 镍底30u"MIN, 表面镀高温亮锡150u"MIN

Contact: Brass, 150u"MIN TIN-PLATED HIGH-TEMPERATURE

30u" MIN NICKEL UNDERPLATING OVER ALL

2. 特性 (characteristics):

额定电流: 7.0 AMP

Rating Current: 7.0 AMP.

接触阻抗: 20 mΩ MAX.

Contact Resistance: 20 mΩ MAX.

绝缘阻抗: 1000 MΩ MIN.

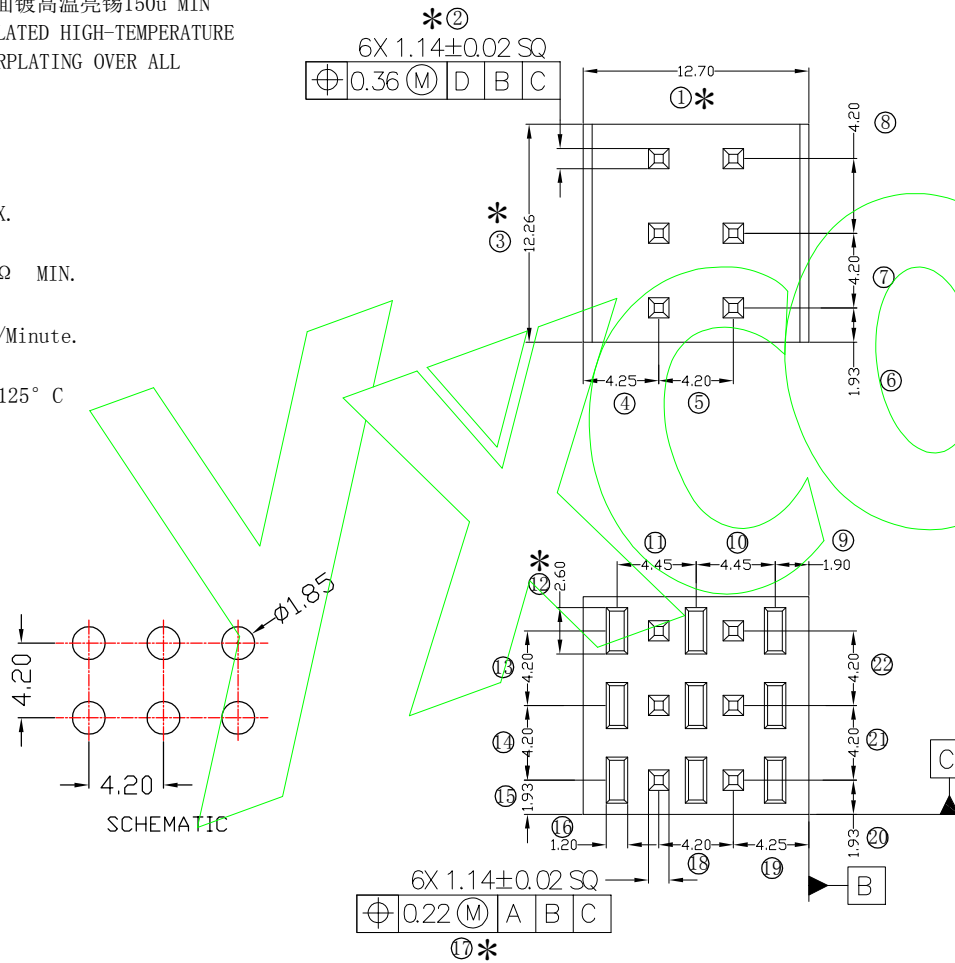
Insulating Resistance: 1000 MΩ MIN.

耐电压: AC 500V/分钟.

Withstanding Voltage: AC 500V/Minute.

温度范围: -40° C to +125° C

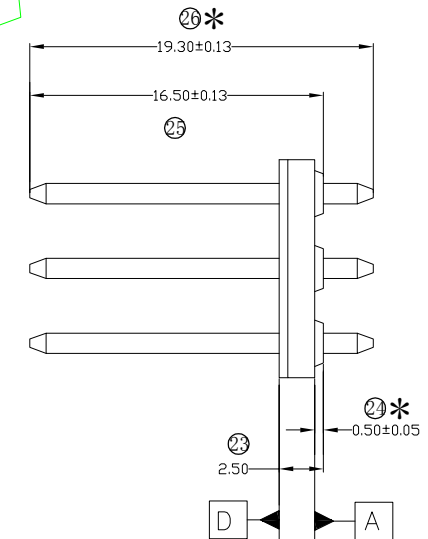
Temperture Range: -40° C to +125° C



Ordering Information

PE25-12 03 S3 A S 193 A 1

HEIGHT OF HOUSING	NO. OF PINS PER ROW	Contact Plating Full Cr Gold	Series-gold	INSULATOR MATERIAL:	LENGTH OF TERMINAL	PACKING A: PE Bag B: Tape & Reel C: Tube D: Tube+CAP E: Tray
15: 1.5mm	2-40P	A0=0.8u"	B0=0.8u"	A: PBT		
17: 1.7mm		A1=1u"	B1=1u"	B: PA6T		
20: 2.0mm		A2=1.5u"	B2=1.5u"	C: PA9T		
25: 2.54mm		A3=2u"	B3=2u"	D: LCP		
30: 3.0mm		A4=3u"	B4=3u"			
		A5=5u"	B5=5u"			
		A6=10u"	B6=10u"			
		A7=15u"	B7=15u"			
		A8=20u"	B8=20u"			
		A9=30u"	B9=30u"			
		S1=O dinary Tin Plated				
		S2=Matte Tin Plated				
		S3=Tin-plated High-temperature				



REV	DATE	SYMBOL	MODIFICATION DESCRIPTION	OPERATION		SCALE		Fit		DESIGN	PART NO	TITLE
				X.X	±0.20	UNIT	MM	SIZE	A4			
				X.XX	±0.13	SHEET	1/1	CHECK		4.2mm间距排针 2*3P L=19.3/2.8 180度 PBT灰色塑高=2.5 镀高温亮锡150u" 500/袋		
				X.XXX	±0.10	PRQJ.	Φ	APPROVE		Customer No.		
				Angle	±3°							
				DIM	TOL							

Yxcon 东莞市宇熙精密连接器有限公司
Dongguan Yuxi Electronic Co., Ltd.