

# Specifications

备注 (Remark)

1. 材料 (MATERIAL)

胶芯: PBT+30%G.F UL94V-0, 颜色: 黑色.

Housing: PBT+30%G.F UL94V-0, Color: Black

四方针: C2680黄铜, 镍底30u"MIN, 表面镀高温亮锡80u"MIN

Contact: C2680 Brass, 80u"MIN HIGH TEMPRETURE MATTE TIN OVER ALL

30u" MIN NICKEL UNDERPLATING OVER ALL

2. 特性 (characteristics):

额定电压: 125V MAX AC/DC

Rated Voltage: 125 MAX AC/DC

额定电流: 2A MAX AC/DC

Raring Current: 2A MAX AC/DC

接触阻抗: 20 mΩ MAX.

Contact Resistance: 20 mΩ MAX.

绝缘阻抗: 1000 MΩ MIN.

Insulating Resistance: 1000 MΩ MIN.

耐电压: AC 500V/分钟.

Withstanding Voltage: AC 500V/Minute.

温度范围: -40° C to +105° C

Temperture Range: -40° C to +105° C

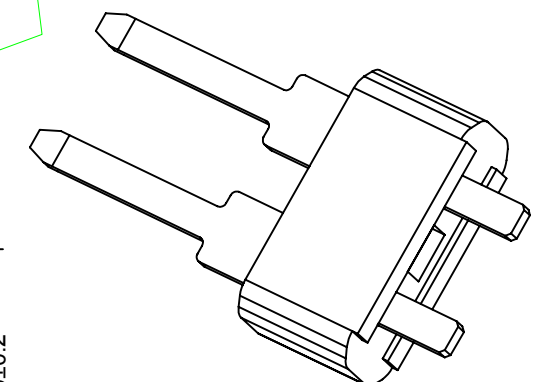
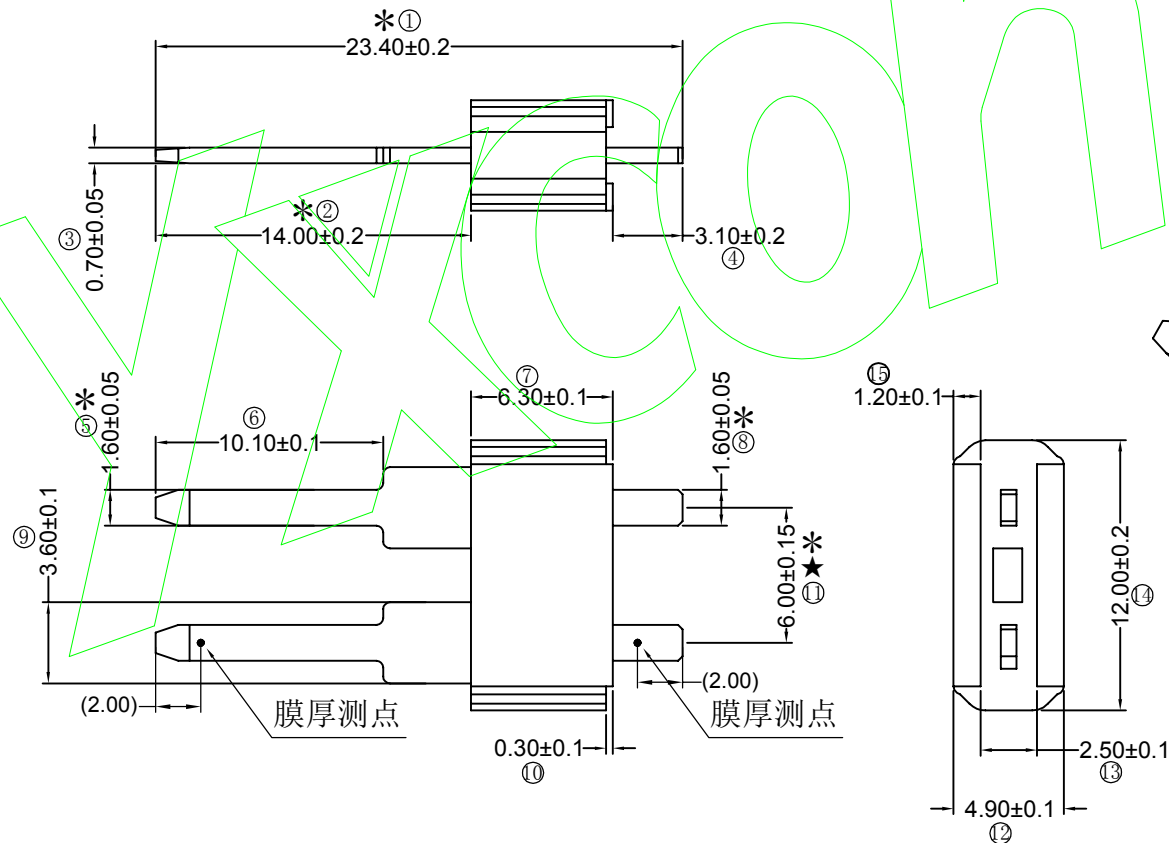
# Ordering Information

BZ63-11 02 S3 A S 234 A 1T

HEIGHT OF HOUSING	NO. OF PINS PER ROW	Contact Plating	INSULATOR LENGTH	PACKING
10: 1.0mm	2-40P	Full of Gold	MATERIAL: OF	A: PE Bag
15: 1.5mm		Serial-gold	TERMINAL	B: Tape & Reel
20: 2.0mm				C: Tube
				D: Tube+CAP
				E: Tray

A0=0.8u" B0=0.8u" B: PA6T  
 A1=1u" B1=1u" C: PA9T  
 A2=1.5u" B2=1.5u" D: LCP  
 A3=2u" B3=2u"  
 A4=3u" B4=3u"  
 A5=5u" B5=5u"  
 A6=10u" B6=10u"  
 A7=15u" B7=15u"  
 A8=20u" B8=20u"  
 A9=30u" B9=30u"

S1=Ordinary Tin Plated  
 S2=Matte Tin Plated  
 S3=Tin-plated High-temperature



RoHS COMPLIANT

客编:

注意 事项

1. 带\*为品质重点 检验尺寸, 带★为 SPC管控尺寸.

OPERATION		SCALE		Fit		Yxcon 东莞市宇熙精密连接器有限公司	
X.X	±0.25	UNIT		MM	www.yxcon.com Dongguan Yuxi Electronic Co., Ltd.		
X.XX	±0.20	SIZE	A4	DESIGN	李官森2022.02.14	PART NO	BZ63-1102S3AS234A1T
X.XXX	±0.10	SHEET	1/1	CHECK		TITLE	6.0间距扁针 1*2P L=23.4/3.1 180度 H=6.3 炉前1kg C2680铜 PBT 镀高温亮锡80u"镍30u" 袋装
Angle	±3°	PROJ	☉	APPROV		Customer No	