

# Specifications

# Ordering Information

IDC1 - XX 3 70 XX A T X 3

备注(Remark)

1. 材料 (MATERIAL)

胶芯: PBT+30%G.F UL94V-0, 颜色:黑色.

Housing:PBT+30%G.F UL94V-0, Color:Black

端子: 磷/青铜, 镍底30u"MIN, 表面镀金1u"MIN

Contact:Phosphor bronze, 1u"MIN GOLD PLATING OVER ALL

30u" MIN NICKEL UNDERPLATING OVER ALL

2. 特性 (characteristics):

额定电流: 3 AMP

Rating Current:3 AMP.

接触阻抗: 20 mΩ MAX.

Contact Resistance:20 mΩ MAX.

绝缘阻抗: 1000 MΩ MIN.

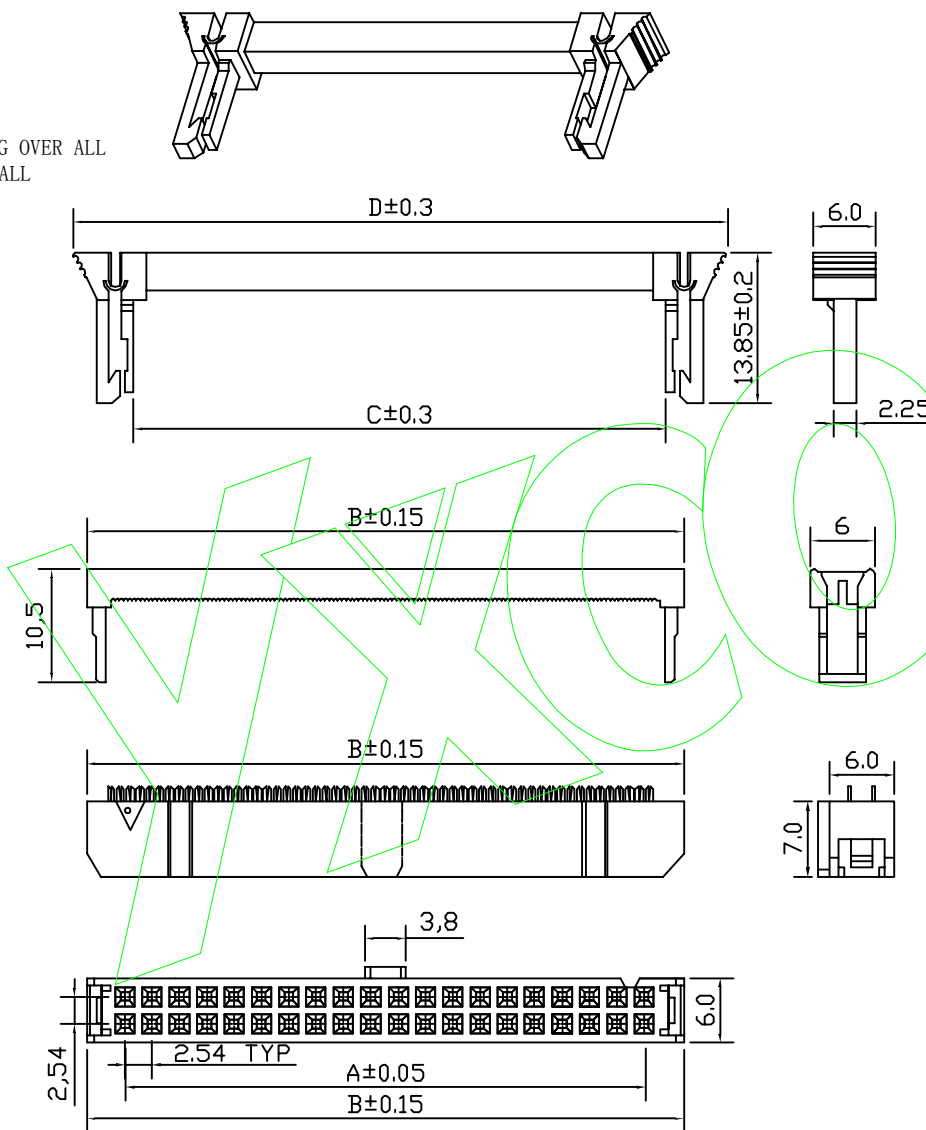
Insulating Resistance:1000 MΩ MIN.

耐电压: AC 500V/分钟.

Withstanding Voltage:AC 500V/Minute.

温度范围: -40° C to+105° C

Temperture Range: -40° C to+105° C



NO OF PINS	Contact Plating	INSULATOR	Back
6-64P	Full of Gold	MATERIAL: A: PBT	Grey427
	Semi-gold		Grey413
			White
			Blue
A0=0.8u"	B0=0.8U'		
A1=1u"	B1=1U'		
A2=1.5u"	B2=1.5U'		
A3=2u"	B3=2U'		
A4=3u"	B4=3U'		
A5=5u"	B5=5U'		
A6=10u"	B6=10U'		
A7=15u"	B7=15U'		
A8=20u"	B8=20U'		
A9=30u"	B9=30U'		
	S1=Ordinary Tin Plated		
	S2=Matte Tin Plated		
	S3=Tin-plated High-temperature		

PART NO	A	B	C	D
6P	5.08	12.32	9.0	22.1
8P	7.62	14.86	11.54	24.64
10P	10.16	17.40	14.08	27.18
12P	12.7	19.94	16.62	29.72
14P	15.24	22.48	19.16	32.26
16P	17.78	25.02	21.70	34.80
20P	22.86	30.10	26.78	39.88
24P	27.94	35.18	31.86	44.96
26P	30.48	37.72	34.40	47.50
30P	35.56	42.80	39.48	52.58
34P	40.64	47.88	44.56	57.66
40P	48.26	55.5	52.18	65.28
50P	60.96	68.20	64.88	77.98
60P	73.66	80.90	77.58	90.68
64P	78.74	85.98	82.66	95.76

REV	DATE	SYMBOL	MODIFICATION DESCRIPTION	OPERATION	SCALE	Fit	Yxcon 东莞市宇熙精密连接器有限公司			
				X.X ±0.25	UNIT	MM	www.yxcon.com Dongguan Yuxi Electronic Co.,Ltd.			
				X.XX ±0.20	SIZE	A4	DESIGN	刘伟 2020.12.03	PART NO	IDC1-XX370XXATX3
				X.XXX ±0.10	SHEET	1/1	CHECK		TITLE	2.54 IDC 塑高7.0 弹片式 三件式 蝴蝶扣
				Angle ±3°	PROJ.	☉	APPROVE		Customer No.	
				DIM TOL						