

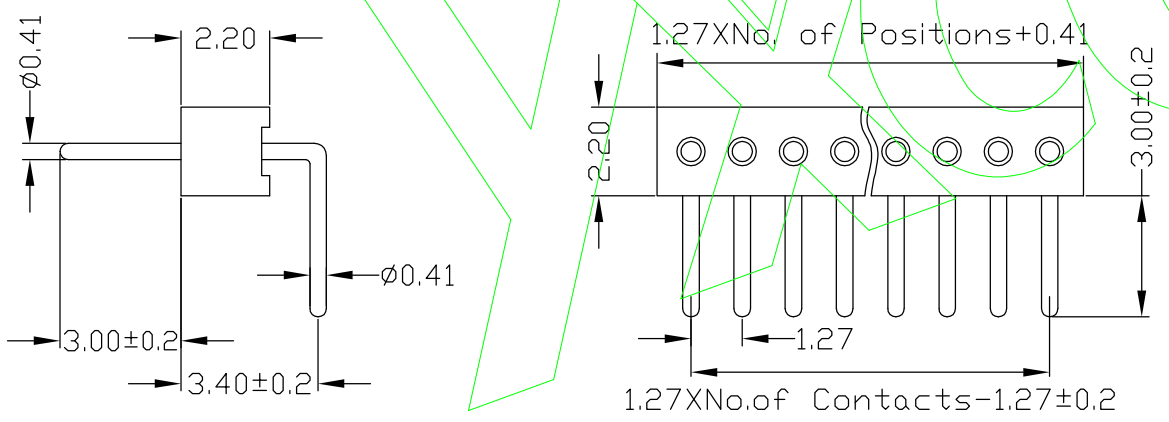
Specifications

Insulator : Black glass filled polyester PPS-GF30-FR
 Flammability : UL94V-0
 Sleeve : Brass CuZn 36Pb3(36000)
 Mating pin \varnothing : 0.41 mm
 Mechanical life : min 500 cycles
 Rated current : 1Amp
 Contact resistance: Max 10m Ω
 Dielectric resistance : Min 1000V_{RMS}

Ordering Information

RP322-1 XX 0 X X R XXX 1

HEIGHT OF HOUSING	1: Single-Row 19: 1.9mm 22: 2.2mm	NO. OF PINS PER ROW	2: Dual-Row 3: Three Rows of	0: No. of Positions	1: 1.27 2: 2.00 3: 2.54 4: 7.62 5: 10.16 6: 15.24 7: 22.86	A=1u" B=2u" C=5u" D=10u" E=15u" F=30u"	A: PBT B: PA6T C: PA9T D: LCP G: PPS	LENGTH OF TERMINAL
-------------------	---	---------------------	---------------------------------	---------------------	--	---	--	--------------------



Right socket connector: solder tail
 single row
 Availability from: 2 to 50 contacts
 Standard number of contacts 25 and 50

				OPERATION		SCALE		Fit		东莞市宇熙精密连接器有限公司 www.yxcon.com Dongguan Yuxi Electronic Co., Ltd.	
				X.X	±0.25	UNIT		MM			
				X.XX	±0.20	SIZE	A4	DESIGN	周芳杰 2021.9.2	PART NO.	RP322-1XX0XXRXXX1
				X.XXX	±0.10	SHEET	1/1	CHECK		TITLE	1.27圆孔排针 塑高2.2 单排 90度
				Angle	±3°	PROJ.	☉	APPROVE		Customer No.	
REV	DATE	SYMBOL	MODIFICATION DESCRIPTION								

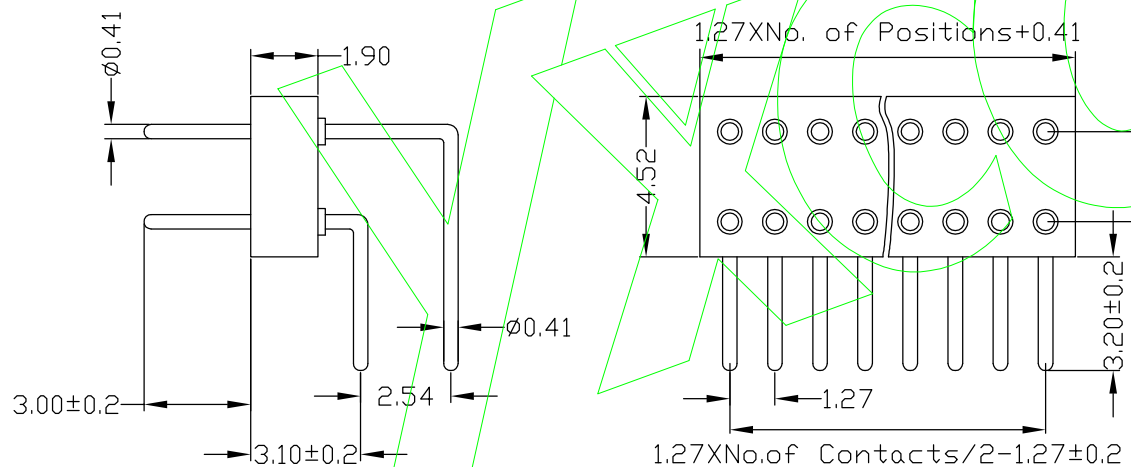
Specifications

Insulator : Black glass filled polyester PPS-GF30-FR
 Flammability : UL94V-0
 Sleeve : Brass CuZn 36Pb3(36000)
 Mating pin \varnothing : 0.41 mm
 Mechanical life : min 500 cycles
 Rated current : 1Amp
 Contact resistance: Max 10m Ω
 Dielectric resistance : Min 1000V_{RMS}

Ordering Information

RP319-2 XX 3 X X R XXX 1

HEIGHT OF HOUSING	1: Single-Row 19: 1.9mm	NO. OF PINS PER ROW	0: No Pitch 1: 1.27 2: 2.00 3: 2.54 4: 7.62 5: 10.16 6: 15.24 7: 22.86	A=1u" B=2u" C=5u" D=10u" E=15u" F=30u"	A: PBT B: PA6T C: PA9T D: LCP G: PPS	LENGTH OF TERMINAL
HOUSING	2: Dual-Row 3: Three Rows of	1-40P 2-40P				



Right socket connector: solder tail double row with 2.54mm row to row distance
 Availability from: 4 to 100 contacts
 Standard number of contacts 100

				OPERATION		SCALE		Fit		东莞市宇熙精密连接器有限公司 www.yxcon.com Dongguan Yuxi Electronic Co., Ltd.	
				X.X	±0.25	UNIT		MM			
				X.XX	±0.20	SIZE	A4	DESIGN	周芳杰 2021.9.2	PART NO.	RP319-2XX3XXRXXX1
				X.XXX	±0.10	SHEET	1/1	CHECK		TITLE	1.27圆孔排针 塑高1.9 双排 90度
				Angle	±3°	PROJ.	☉	APPROVE		Customer No.	
REV	DATE	SYMBOL	MODIFICATION DESCRIPTION								

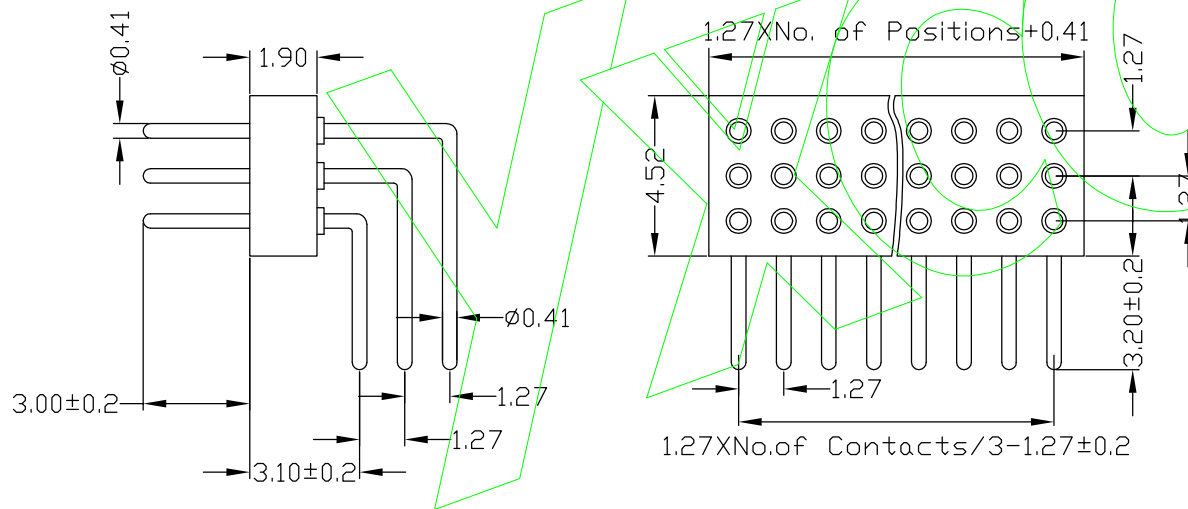
Specifications

Insulator : Black glass filled polyester PPS-GF30-FR
 Flammability : UL94V-0
 Sleeve : Brass CuZn 36Pb3(36000)
 Mating pin \varnothing : 0.41 mm
 Mechanical life : min 500 cycles
 Rated current : 1Amp
 Contact resistance: Max 10m Ω
 Dielectric resistance : Min 1000V_{RMS}

Ordering Information

RP319-3 XX 1 X X R XXX 1

HEIGHT OF HOUSING	1: Single-Row 2: Dual-Row 19: 1.9mm 22: 2.2mm	NO. OF PINS PER ROW	1-40P 2-40P	0: No Pitch 1: 1.27 2: 2.00 3: 2.54 4: 7.62 5: 10.16 6: 15.24 7: 22.86	A=1u" B=2u" C=5u" D=10u" E=15u" F=30u"	A: PBT B: PA6T C: PA9T D: LCP G: PPS	LENGTH OF TERMINAL



Right socket connector: solder tail triple row
 Availability from: 6 to 150 contacts
 Standard number of contacts 150

				OPERATION		SCALE		Fit		东莞市宇熙精密连接器有限公司 www.yxcon.com Dongguan Yuxi Electronic Co.,Ltd.	
				X.X	±0.25	UNIT		MM			
				X.XX	±0.20	SIZE	A4	DESIGN	周芳杰 2021.9.2	PART NO.	RP319-3XX1XXRXXX1
				X.XXX	±0.10	SHEET	1/1	CHECK		TITLE:	1.27圆孔排针 塑高1.9 三排 90度
				Angle	±3°	PROJ.	☉	APPROVE		Customer No.	
REV	DATE	SYMBOL	MODIFICATION DESCRIPTION								