

Specifications

备注 (Remark)

1. 材料 (MATERIAL)

胶芯: PA9T全新料+30%G.F UL94V-0, 颜色:黑色.

Housing: PA9T全新料+30%G.F UL94V-0, Color: Black

四方针: 黄铜, 镍底30u"MIN, 表面镀金3u"MIN

Contact: Brass, 3u"MIN GOLD PLATING OVER ALL
30u" MIN NICKEL UNDERPLATING OVER ALL

2. 特性 (characteristics):

额定电流: 2 AMP

Rating Current: 2 AMP.

接触阻抗: 20 mΩ MAX.

Contact Resistance: 20 mΩ MAX.

绝缘阻抗: 1000 MΩ MIN.

Insulating Resistance: 1000 MΩ MIN.

耐电压: AC 500V/分钟.

Withstanding Voltage: AC 500V/Minute.

温度范围: -40° C to +105° C

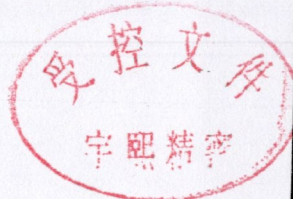
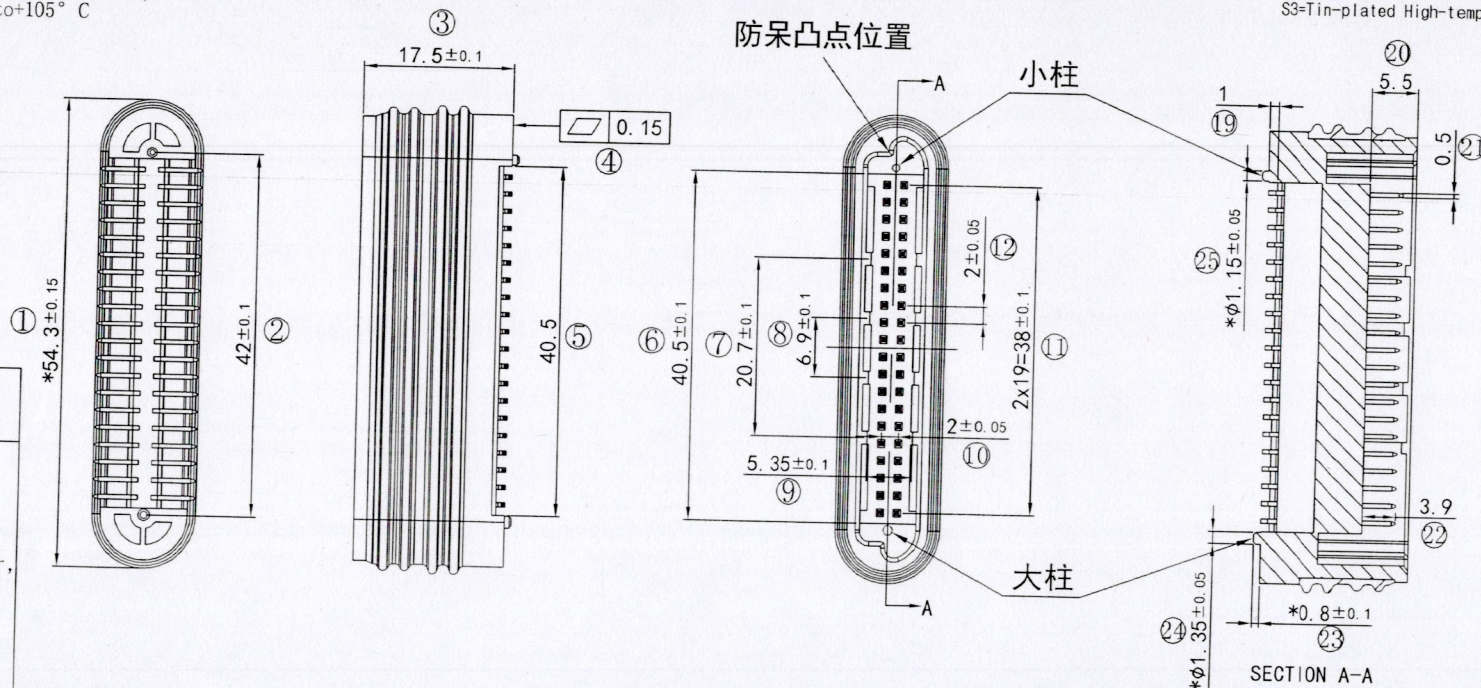
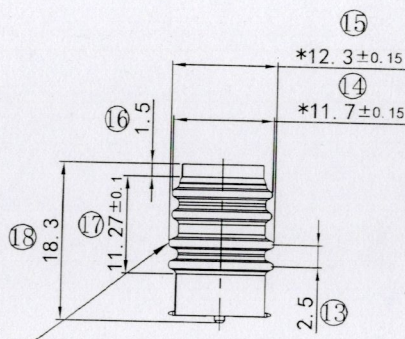
Temperature Range: -40° C to +105° C

塑胶外壳包硅胶 (352H), 黄色, 硬度30, 防火等级UL94-V0, 抗老化, 耐高温265±5°

Ordering Information

B218-3 40 A4 C M B E 2

NO. OF PINS 4-100P	Contact Plating Full Of Gold A0=0.8u" A1=1u" A2=1.5u" A3=2u" A4=3u" A5=5u" A6=10u" A7=15u" A8=20u" A9=30u"	Semi-gold B0=0.8U" B1=1U" B2=1.5U" B3=2U" B4=3U" B5=5U" B6=10U" B7=15U" B8=20U" B9=30U"	INSULATOR MATERIAL: G: Gray427 B: PA6T E: Gray413 D: LCP U: Blue	B: Black A: PE Bag E: Gray413 B: Tape & Reel C: Tube D: Tube+CAP E: Tray
S1=Ordinary Tin Plated S2=Matte Tin Plated S3=Tin-plated High-temperature				



客编: K1031

注意事项

1. PA9T全新料,
2. 加2.0*2排针塑胶,
3. 包胶前后两排不能缺胶,
4. 产品不能有脏污,
5. 包胶尺寸为重点管控尺寸,
6. 带*为品管检验尺寸

			OPERATION	SCALE	Fit	Yxcon 东莞市宇熙精密连接器有限公司 www.yxcon.com Dongguan Yuxi Electronic Co., Ltd.				
			X.X ±0.25	UNIT	MM					
			X.XX ±0.20	SIZE	A4	DESIGN	刘伟 2021.04.20	PART NO.	B218-340A4CMBE2	
A0	2021.04.20	/	X.XXX ±0.10			CHECK	姜子 4.2	TITLE:	2.0包胶筒半 40P L=20.5 SMT宽12.0/型高17.5 加2.0*2 排针塑胶 PA9T全新料/镀3u"金 50PCS/盒装 K1031	
REV	DATE	SYMBOL	Angle ±3°	SHEET	1/1	APPROVE	姜子 4.2			
			DIM TOL	PROJ.	Φ					

新版发行
MODIFICATION DESCRIPTION