

# Specifications

备注 (Remark)

1. 材料 (MATERIAL)

胶芯: PA6T+30%G.F UL94V-0, 颜色: 黑色.

Housing: PA6T+30%G.F UL94V-0, Color: Black

端子: 磷/青铜, 镍底30u"MIN, 表面镀金1u"MIN

Contact: Phosphor bronze, 1u"MIN GOLD PLATING OVER ALL  
30u" MIN NICKEL UNDERPLATING OVER ALL

2. 特性 (characteristics):

额定电流: 2 AMP

Rating Current: 2 AMP.

接触阻抗: 20 mΩ MAX.

Contact Resistance: 20 mΩ MAX.

绝缘阻抗: 1000 MΩ MIN.

Insulating Resistance: 1000 MΩ MIN.

耐电压: AC 500V/分钟.

Withstanding Voltage: AC 500V/Minute.

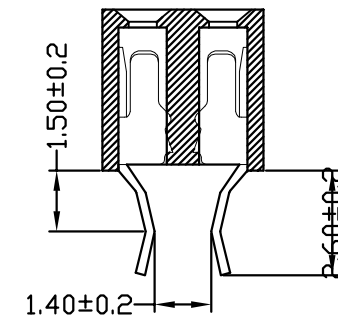
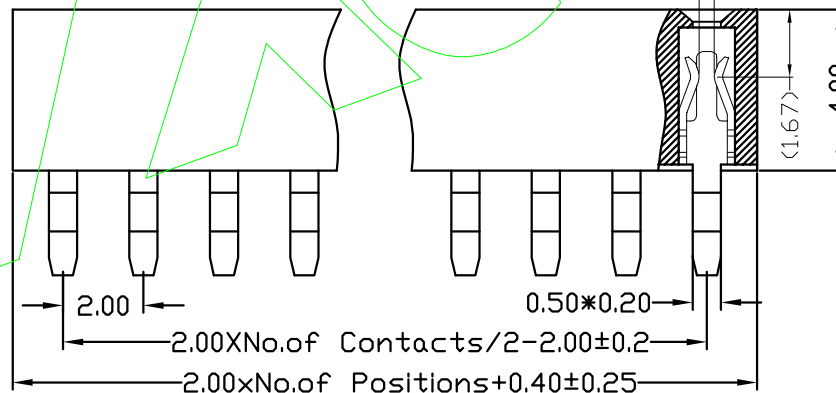
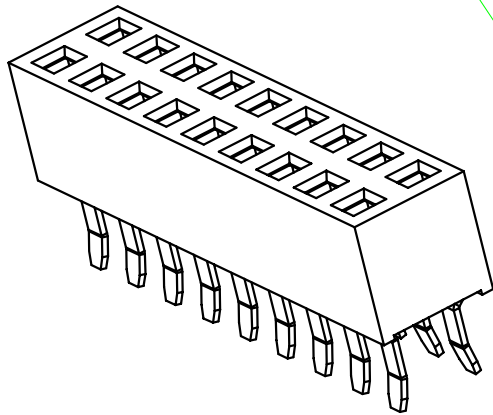
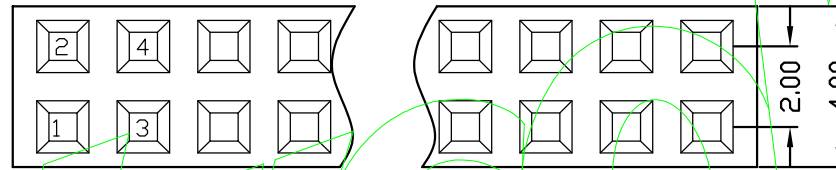
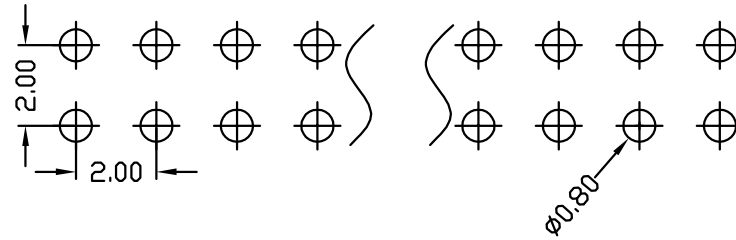
温度范围: -40° C to +105° C

Temperature Range: -40° C to +105° C

# Ordering Information

F240-12 XX XX X CU X 1

NO. OF PINS PER ROW 2-40P	Contact Full of Gold A0=0.8u" A1=1u" A2=1.5u" A3=2u" A4=3u" A5=5u" A6=10u" A7=15u" A8=20u" A9=30u"	Plating Semi-gold E0=0.8u" B1=1u" B2=1.5u" B3=2u" B4=3u" B5=5u" B6=10u" B7=15u" B8=20u" B9=30u"	INSULATOR MATERIAL: B: PA6T C: PA9T D: LCP	PACKING A: PE Bag B: Tape & Reel C: Tube D: Tube+CAP E: Tray
S1=Ordinary Tin Plated	S2=Matte Tin Plated	S3=Tin-plated High-temperature		



REV	DATE	SYMBOL	MODIFICATION DESCRIPTION	OPERATION	SCALE	Fit	Yxcon 东莞市宇熙精密连接器有限公司			
				X.X ±0.25	UNIT	MM	www.yxcon.com Dongguan Yuxi Electronic Co., Ltd.			
				X.XX ±0.20	SIZE	A4	DESIGN	刘伟 2020.12.03	PART NO	F240-12XXXXXCUX1
				X.XXX ±0.10	SHEET	1/1	CHECK		TITLE	2.0间距 塑高4.0 双排母 U型 夹板式
				Angle ±3°	PROJ.		APPROVE		Customer No.	
				DIM TOL						

# Specifications

备注 (Remark)

1. 材料 (MATERIAL)

胶芯: PA6T+30%G.F UL94V-0, 颜色: 黑色.

Housing: PA6T+30%G.F UL94V-0, Color: Black

端子: 磷/青铜, 镍底30u"MIN, 表面镀金1u"MIN

Contact: Phosphor bronze, 1u"MIN GOLD PLATING OVER ALL  
30u" MIN NICKEL UNDERPLATING OVER ALL

2. 特性 (characteristics):

额定电流: 2 AMP

Rating Current: 2 AMP.

接触阻抗: 20 mΩ MAX.

Contact Resistance: 20 mΩ MAX.

绝缘阻抗: 1000 MΩ MIN.

Insulating Resistance: 1000 MΩ MIN.

耐电压: AC 500V/分钟.

Withstanding Voltage: AC 500V/Minute.

温度范围: -40° C to +105° C

Temperature Range: -40° C to +105° C

# Ordering Information

F243-12 XX XX X CU X 1

NO. OF PINS  
PER ROW  
2-40P

Contact  
Full Of Gold

Plating  
Semi-gold

INSULATOR  
MATERIAL:

PACKING  
A: PE Bag  
B: Tape & Reel  
C: Tube  
D: Tube+CAP  
E: Tray

A0=0.8u"

A1=1u"

A2=1.5u"

A3=2u"

A4=3u"

A5=5u"

A6=10u"

A7=15u"

A8=20u"

A9=30u"

S1=Ordinary Tin Plated

S2=Matte Tin Plated

S3=Tin-plated High-temperature

E0=0.8U'

E1=1U'

E2=1.5U'

E3=2U'

E4=3U'

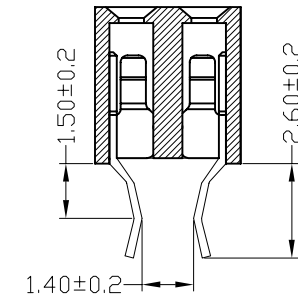
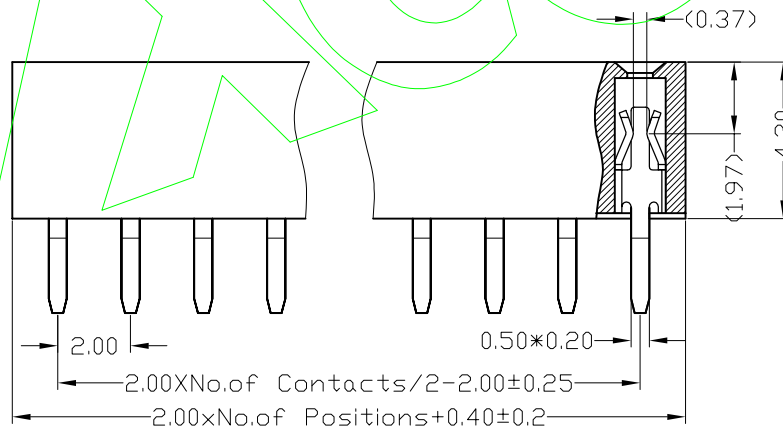
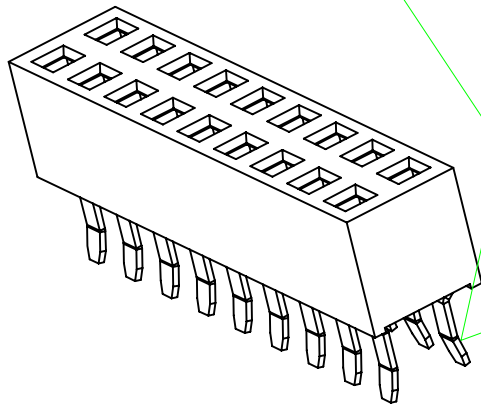
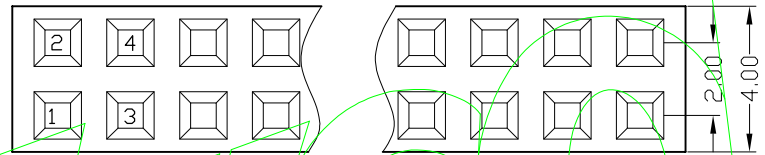
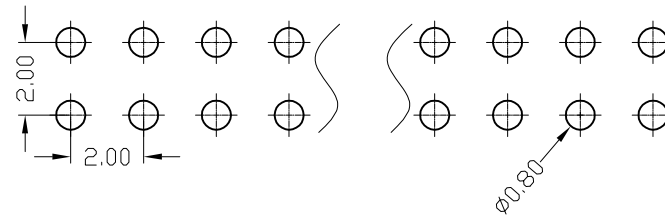
E5=5U'

E6=10U'

E7=15U'

E8=20U'

E9=30U'



OPERATION

X.X ±0.25

X.XX ±0.20

X.XXX ±0.10

Angle ±3°

DIM TOL

SCALE

UNIT

SIZE A4

SHEET 1/1

PROJ.

Fit

MM

DESIGN

CHECK

APPROVE

**Yxcon**  
www.yxcon.com

东莞市宇熙精密连接器有限公司  
Dongguan Yuxi Electronic Co., Ltd.

刘伟 2020.12.03

PART NO

TITLE

Customer No.

F243-12XXXXXCUX1

2.0间距 塑高4.3 双排母 夹板式 U型

MODIFICATION DESCRIPTION

REV DATE SYMBOL

# Specifications

备注 (Remark)

1. 材料 (MATERIAL)

胶芯: PA6T+30%G.F UL94V-0, 颜色: 黑色.

Housing: PA6T+30%G.F UL94V-0, Color: Black

端子: 磷/青铜, 镍底30u"MIN, 表面镀金1u"MIN

Contact: Phosphor bronze, 1u"MIN GOLD PLATING OVER ALL  
30u" MIN NICKEL UNDERPLATING OVER ALL

2. 特性 (characteristics):

额定电流: 2 AMP

Rating Current: 2 AMP.

接触阻抗: 20 mΩ MAX.

Contact Resistance: 20 mΩ MAX.

绝缘阻抗: 1000 MΩ MIN.

Insulating Resistance: 1000 MΩ MIN.

耐电压: AC 500V/分钟.

Withstanding Voltage: AC 500V/Minute.

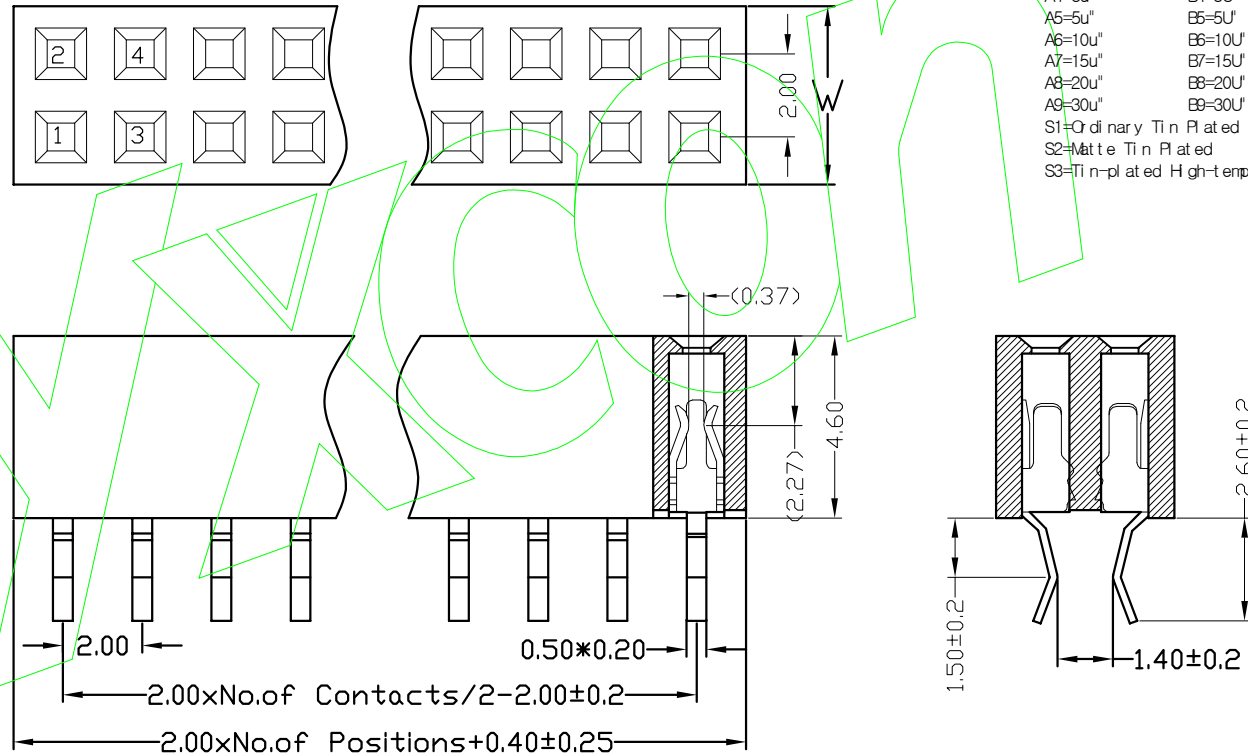
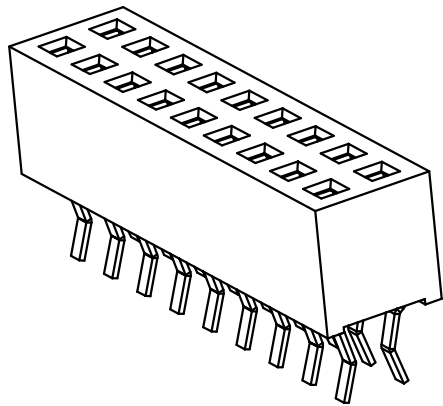
温度范围: -40° C to +105° C

Temperature Range: -40° C to +105° C

# Ordering Information

F246-12 XX XX X CU X 1

NO. OF PINS PER ROW 2-40P	Contact Plating Full Cf Gold	Semi-gold	INSULATOR MATERIAL:	PACKING
A0=0.8u"	B0=0.8u"	B: PA6T	A: PE Bag	
A1=1u"	B1=1u"	C: PA6T	B: Tape & Peel	
A2=1.5u"	B2=1.5u"	D: LCP	C: Tube	
A3=2u"	B3=2u"		D: Tube+CAP	
A4=3u"	B4=3u"		E: Tray	
A5=5u"	B5=5u"			
A6=10u"	B6=10u"			
A7=15u"	B7=15u"			
A8=20u"	B8=20u"			
A9=30u"	B9=30u"			
S1=Ordinary Tin Plated				
S2=Matte Tin Plated				
S3=Thin-plated High-temperature				



DIM"W" 4.0 4.5

REV			DATE	SYMBOL	MODIFICATION DESCRIPTION		OPERATION		SCALE		Fit		Yxcon 东莞市宇熙精密连接器有限公司	
							X.X ±0.25		UNIT		MM		www.yxcon.com Dongguan Yuxi Electronic Co., Ltd.	
							X.XX ±0.20		SIZE		A4		DESIGN 刘伟 2020.12.03 PART NO F246-12XXXXXCUX1	
							X.XXX ±0.10		SHEET		1/1		TITLE: 2.0间距 塑高4.6 双排母 U型 夹板式	
							Angle ±3°		PRQJ.		APPROVE		Customer No.	
							DIM TOL							