

Specifications

备注 (Remark)

1. 材料 (MATERIAL)

胶芯: PA6T+30%G.F UL94V-0, 颜色: 黑色.
 Housing: PA6T+30%G.F UL94V-0, Color: Black
 端子: 磷铜, 镍底30u"MIN, 表面镀金1u"MIN
 Contact: Phosphor, 1u"MIN GOLD PLATING OVER ALL
 30u" MIN NICKEL UNDERPLATING OVER ALL

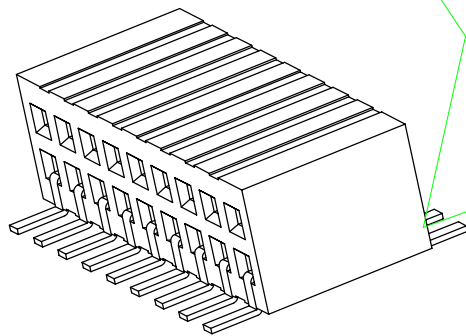
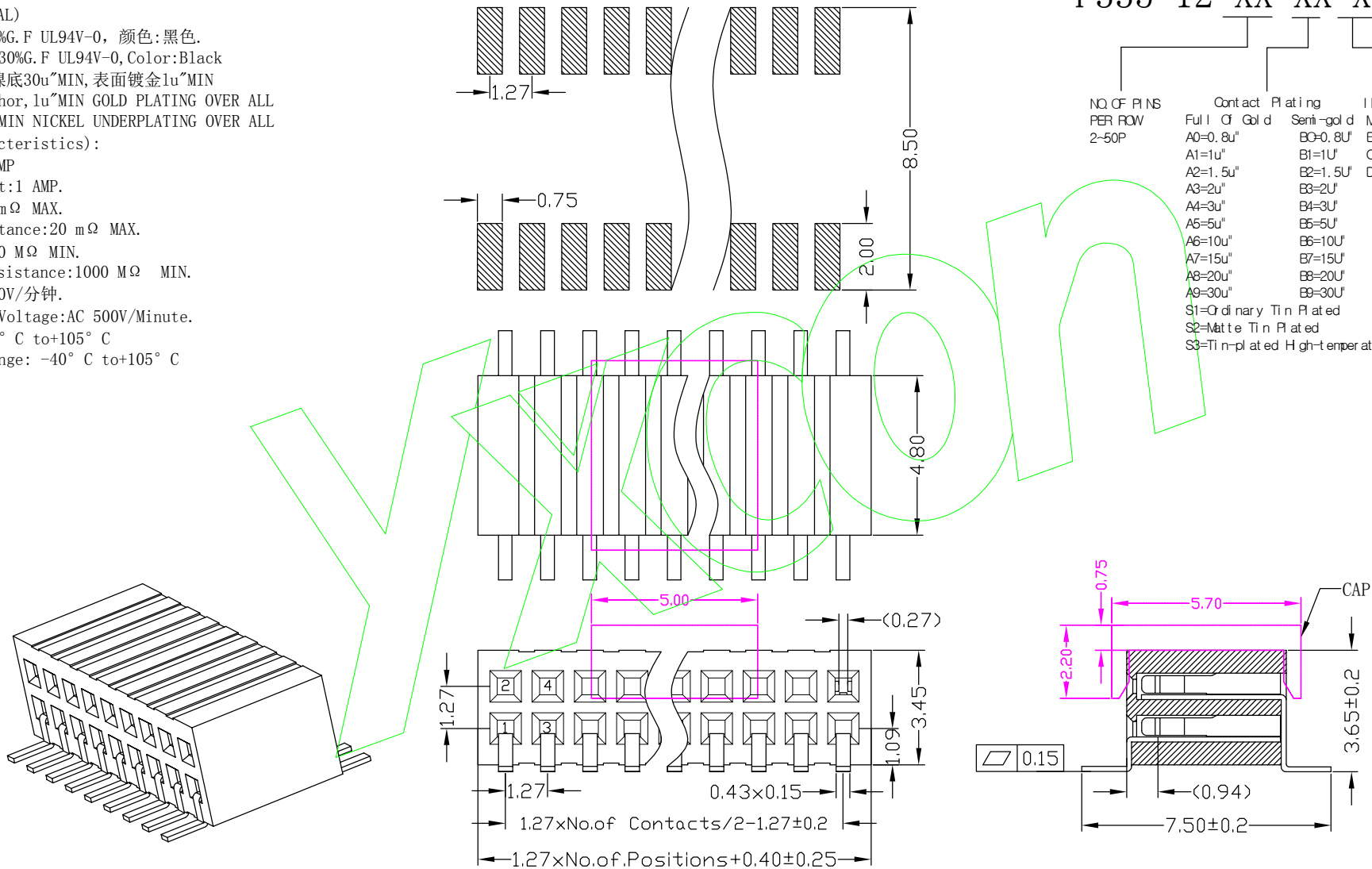
2. 特性 (characteristics):

额定电流: 1 AMP
 Rating Current: 1 AMP.
 接触阻抗: 20 mΩ MAX.
 Contact Resistance: 20 mΩ MAX.
 绝缘阻抗: 1000 MΩ MIN.
 Insulating Resistance: 1000 MΩ MIN.
 耐电压: AC 500V/分钟.
 Withstanding Voltage: AC 500V/Minute.
 温度范围: -40° C to +105° C
 Temperature Range: -40° C to +105° C

Ordering Information

F335-12 XX XX X MU X 1

NO. OF PINS PER ROW	Contact Full of Gold	Plating Semi-gold	INSULATOR MATERIAL:	PACKING
2-50P	A0=0.8u"	B0=0.8U	B: PA6T	A: PE Bag
	A1=1u"	B1=1U	C: PA9T	B: Tape & Reel
	A2=1.5u"	B2=1.5U	D: LCP	C: Tube
	A3=2u"	B3=2U		D: Tube+CAP
	A4=3u"	B4=3U		E: Tray
	A5=5u"	B5=5U		
	A6=10u"	B6=10U		
	A7=15u"	B7=15U		
	A8=20u"	B8=20U		
	A9=30u"	B9=30U		
	S1=Ordinary Tin Plated			
	S2=Matte Tin Plated			
	S3=Tin-plated High-temperature			



REV	DATE	SYMBOL	MODIFICATION DESCRIPTION	OPERATION		SCALE		Fit		Yxcon 东莞市宇熙精密连接器有限公司	
				X.X	±0.25	UNIT		MM	www.yxcon.com Dongguan Yuxi Electronic Co.,Ltd.		
				X.XX	±0.20	SIZE	A4	DESIGN	刘伟 2020.12.03	PART NO	F335-12XXXXXMUX1
				X.XXX	±0.10	SHEET	1/1	CHECK		TITLE	1.27间距 塑高3.5 双排母 SMT U型 侧插
				Angle	±3°	PROJ.	☉	APPROVE		Customer No.	
				DIM	TOL						

Specifications

备注 (Remark)

1. 材料 (MATERIAL)

胶芯: PA6T+30%G.F UL94V-0, 颜色: 黑色.

Housing: PA6T+30%G.F UL94V-0, Color: Black

端子: 磷铜, 镍底30u"MIN, 表面镀金1u"MIN

Contact: Phosphor, 1u"MIN GOLD PLATING OVER ALL
30u" MIN NICKEL UNDERPLATING OVER ALL

2. 特性 (characteristics):

额定电流: 1 AMP

Rating Current: 1 AMP.

接触阻抗: 20 mΩ MAX.

Contact Resistance: 20 mΩ MAX.

绝缘阻抗: 1000 MΩ MIN.

Insulating Resistance: 1000 MΩ MIN.

耐电压: AC 500V/分钟.

Withstanding Voltage: AC 500V/Minute.

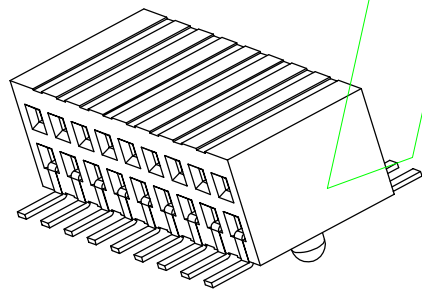
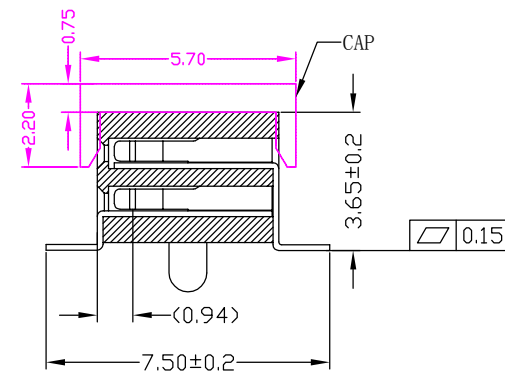
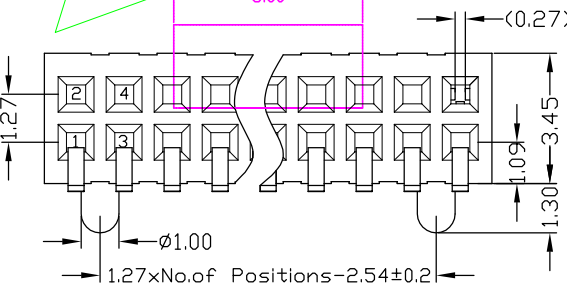
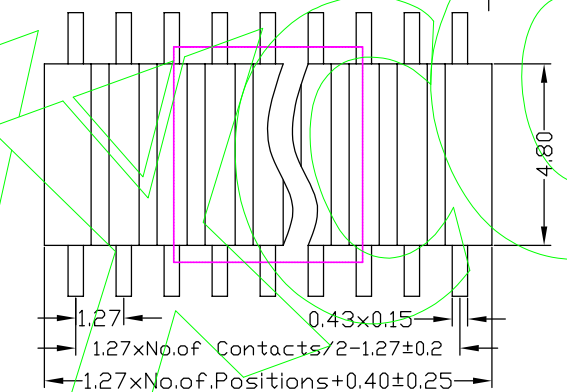
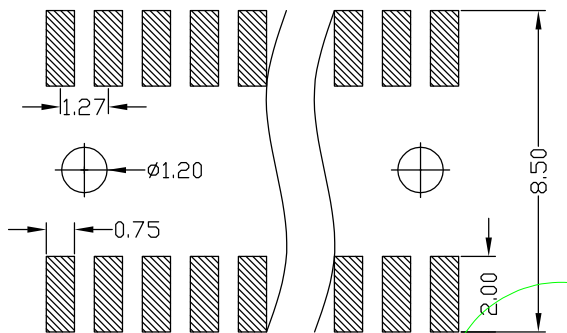
温度范围: -40° C to +105° C

Temperture Range: -40° C to +105° C

Ordering Information

F335-12 XX XX X MU X 2

NO. OF PINS PER ROW	Contact Full of Gold	Plating Semi-gold	INSULATOR MATERIAL:	PACKING
2-50P	A0=0.8u" A1=1u" A2=1.5u" A3=2u" A4=3u" A5=5u" A6=10u" A7=15u" A8=20u" A9=30u"	B0=0.8U" B1=1U" B2=1.5U" B3=2U" B4=3U" B5=5U" B6=10U" B7=15U" B8=20U" B9=30U"	E: PA6T C: PA9T D: LCP	A: PE Bag B: Tape & Reel C: Tube D: Tube+CAP E: Tray
	S1=Ordinary Tin Plated S2=Matte Tin Plated S3=Tin-plated High-temperature			



REV	DATE	SYMBOL	MODIFICATION DESCRIPTION	OPERATION	SCALE	Fit	Yxcon 东莞市宇熙精密连接器有限公司			
				X.X ±0.25	UNIT	MM	www.yxcon.com Dongguan Yuxi Electronic Co., Ltd.			
				X.XX ±0.20	SIZE	A4	DESIGN	周芳杰 2021.6.21	PART NO	F335-12XXXXXXMUX2
				X.XXX ±0.10	SHEET	1/1	CHECK		TITLE	1.27间距 塑高3.5 双排母 SMT U型 侧插 带柱
				Angle ±3°	PROJ.	APPROVE			Customer No.	
				DIM TOL						

Specifications

备注 (Remark)

1. 材料 (MATERIAL)

胶芯: PA6T+30%G.F UL94V-0, 颜色: 黑色.

Housing: PA6T+30%G.F UL94V-0, Color: Black

端子: 磷铜, 镍底30u"MIN, 表面镀金1u"MIN

Contact: Phosphor, 1u"MIN GOLD PLATING OVER ALL
30u" MIN NICKEL UNDERPLATING OVER ALL

2. 特性 (characteristics):

额定电流: 1 AMP

Rating Current: 1 AMP.

接触阻抗: 20 mΩ MAX.

Contact Resistance: 20 mΩ MAX.

绝缘阻抗: 1000 MΩ MIN.

Insulating Resistance: 1000 MΩ MIN.

耐电压: AC 500V/分钟.

Withstanding Voltage: AC 500V/Minute.

温度范围: -40° C to +105° C

Temperature Range: -40° C to +105° C

Ordering Information

F335-12 XX XX X MU X 2

NO. OF PINS
PER ROW
2-50P

Contact
Full of Gold

Plating
Semi-gold

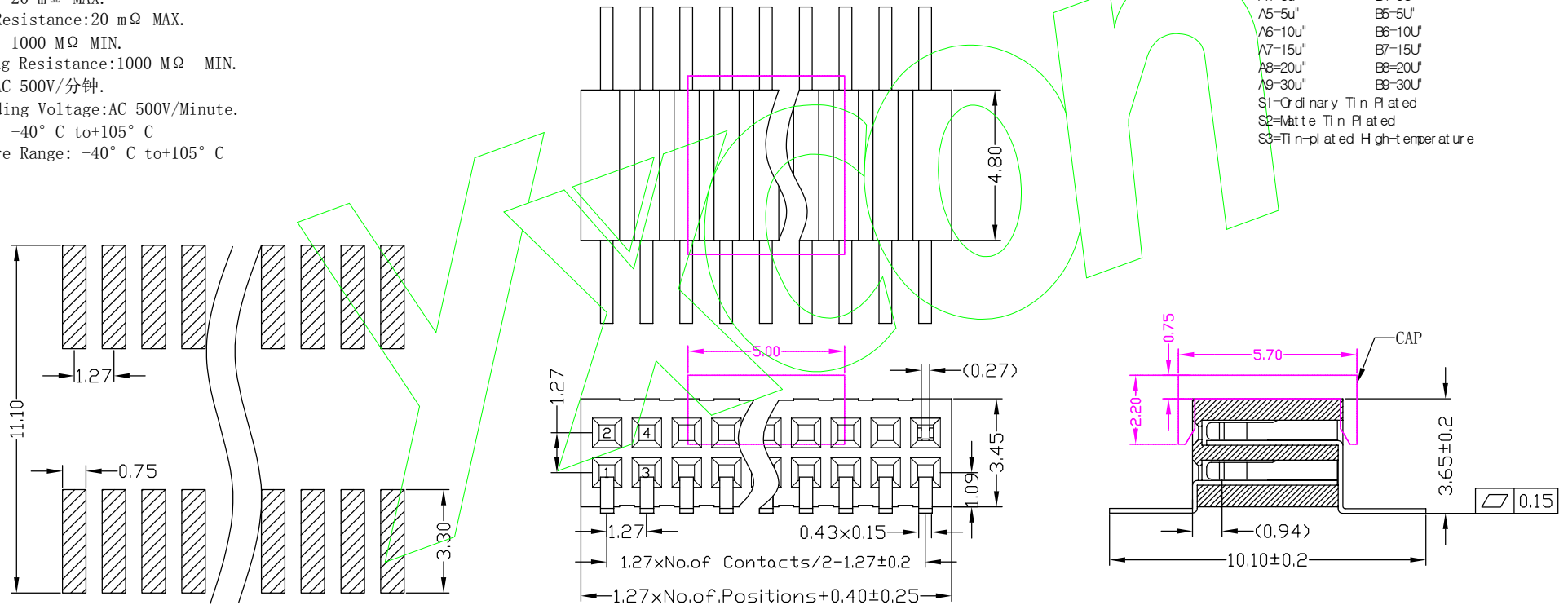
INSULATOR
MATERIAL:

PACKING
A: PE Bag
B: Tape & Reel
C: Tube
D: Tube+CAP
E: Tray

A0=0.8u"
A1=1u"
A2=1.5u"
A3=2u"
A4=3u"
A5=5u"
A6=10u"
A7=15u"
A8=20u"
A9=30u"

B0=0.8U"
B1=1U"
B2=1.5U"
B3=2U"
B4=3U"
B5=5U"
B6=10U"
B7=15U"
B8=20U"
B9=30U"

S1=Ordinary Tin Plated
S2=Matte Tin Plated
S3=Tin-plated High-temperature



			OPERATION		SCALE		Fit		东莞市宇熙精密连接器有限公司 www.yxcon.com Dongguan Yuxi Electronic Co., Ltd.	
			X.X	±0.25	UNIT		MM			
			X.XX	±0.20	SIZE	A4	DESIGN	周芳杰 2021.6.21	PART NO.	F335-12XXXXXXMUX2
			X.XXX	±0.10	SHEET	1/1	CHECK		TITLE:	1.27间距 塑高3.5 双排母 SMT U型 侧插
REV	DATE	SYMBOL	MODIFICATION DESCRIPTION		ANGLE	±3°	PROJECT	APPROVE	CUSTOMER NO.	
					DIM	TOL				