

Specifications

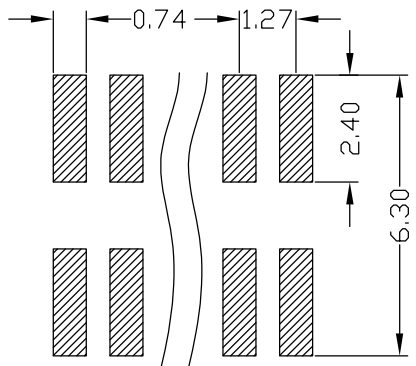
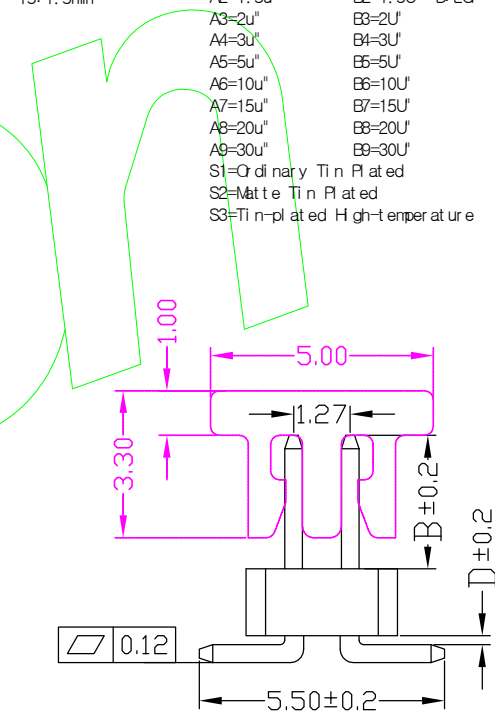
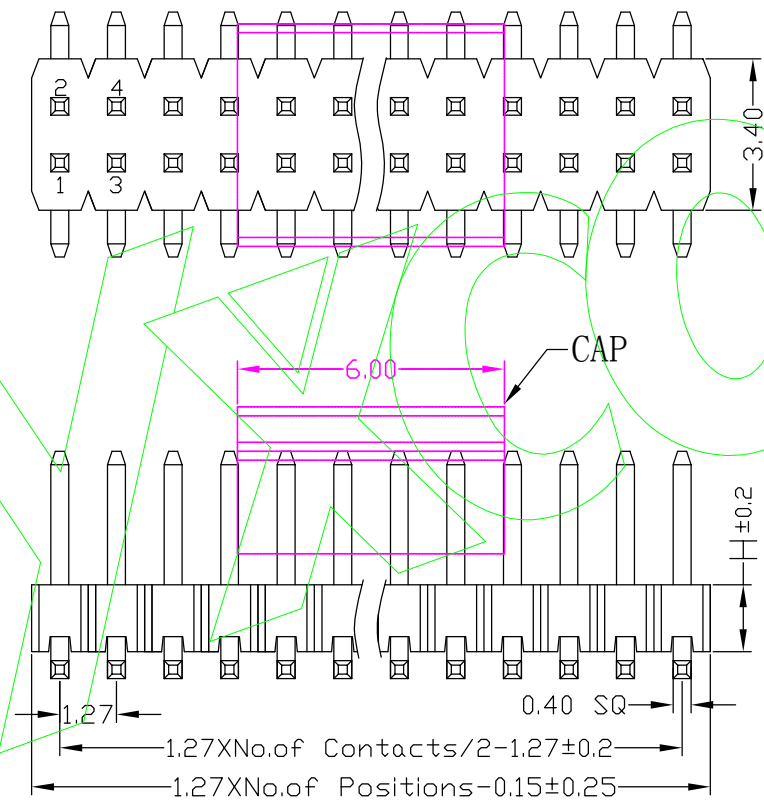
备注 (Remark)
 1. 材料 (MATERIAL)
 胶芯: PA6T+30%G.F UL94V-0, 颜色: 黑色.
 Housing: PA6T+30%G.F UL94V-0, Color: Black
 四方针: 黄铜, 镍底30u"MIN, 表面镀金0.8u"MIN
 Contact: Brass, 0.8u"MIN GOLD PLATING OVER ALL
 30u" MIN NICKEL UNDERPLATING OVER ALL

2. 特性 (characteristics):
 额定电流: 1 AMP
 Rating Current: 1 AMP.
 接触阻抗: 20 mΩ MAX.
 Contact Resistance: 20 mΩ MAX.
 绝缘阻抗: 1000 MΩ MIN.
 Insulating Resistance: 1000 MΩ MIN.
 耐电压: AC 500V/分钟.
 Withstanding Voltage: AC 500V/Minute.
 温度范围: -40° C to +105° C
 Temperature Range: -40° C to +105° C

Ordering Information

P3XX-12 XX XX X M XXX X 1

HEIGHT OF HOUSING	NO. OF PINS PER ROW	Contact Plating	INSULATOR MATERIAL	LENGTH OF TERMINAL	PACKING
08: 0.8mm	2-50P	Full of Gold	B: PA6T	A: PE Bag	B: Tape & Reel
10: 1.0mm		Semi-gold	C: PA6T	C: Tube	C: Tube
15: 1.5mm			D: LCP	D: Tube+CAP	E: Tray



ITEM	D		B		H			
Standard	0	1.2	1.8	3.0	4.0	0.8	1.0	1.5
Alternate								

				OPERATION	SCALE	Fit	东莞市宇熙精密连接器有限公司 Dongguan Yuxi Electronic Co., Ltd.			
				X.X ±0.25	UNIT	MM				
				X.XX ±0.20	SIZE	A4	DESIGN	周芳杰 2021.6.15	PART NO.	P3XX-12XXXXXXX1
				X.XXX ±0.10	SHEET	1/1	CHECK		TITLE	1.27间距 双排排针 SMT
				Angle ±3°	PROJ.	☉	APPROVE		Customer No.	
REV	DATE	SYMBOL	MODIFICATION DESCRIPTION	DIM	TOL					

Specifications

备注 (Remark)
 1. 材料 (MATERIAL)
 胶芯: PA9T+30%G.F UL94V-0, 颜色: 黑色.
 Housing: PA9T+30%G.F UL94V-0, Color: Black
 四方针: 黄铜, 镍底30u~MIN, 表面镀金0.8u~MIN
 Contact: Brass, 0.8u~MIN GOLD PLATING OVER ALL
 30u~ MIN NICKEL UNDERPLATING OVER ALL

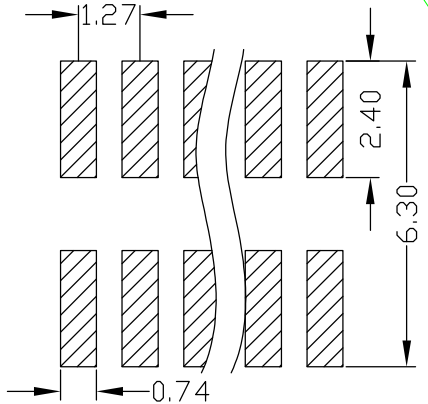
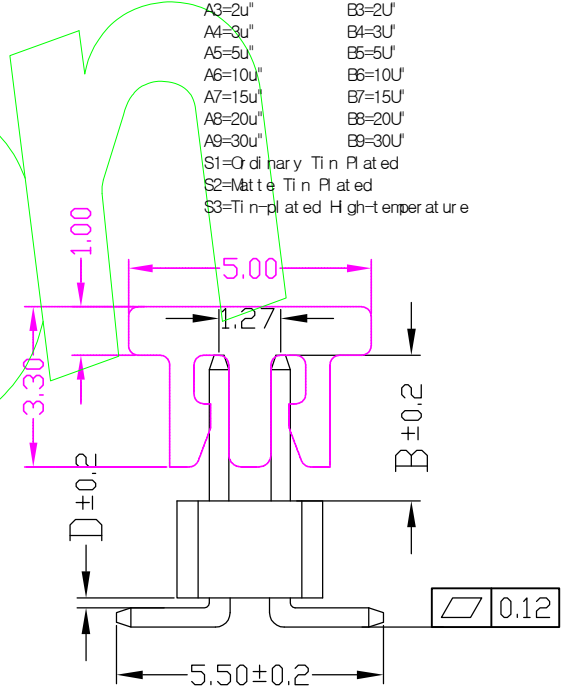
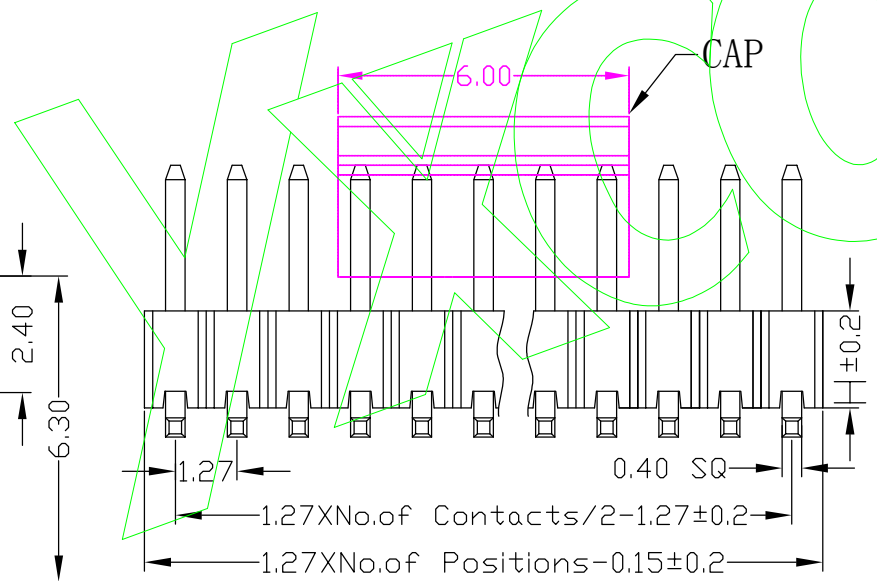
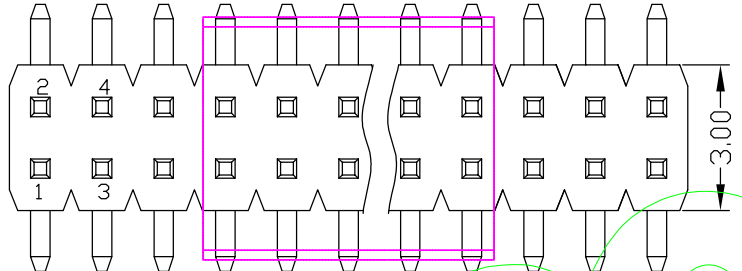
2. 特性 (characteristics):
 额定电流: 1 AMP
 Rating Current: 1 AMP.
 接触阻抗: 20 mΩ MAX.
 Contact Resistance: 20 mΩ MAX.
 绝缘阻抗: 1000 MΩ MIN.
 Insulating Resistance: 1000 MΩ MIN.
 耐电压: AC 500V/分钟.
 Withstanding Voltage: AC 500V/Minute.
 温度范围: -40° C to +105° C
 Temperature Range: -40° C to +105° C

Ordering Information

P3XX-12 XX XX X M XXX X 3

HEIGHT OF HOUSING	NO. OF PINS PER ROW	Contact Full of Gold	Contact Plating	INSULATOR MATERIAL	LENGTH OF TERMINAL	PACKING
16: 1.6mm	2-50P	A0=0.8u" A1=1u" A2=1.5u" A3=2u" A4=3u" A5=5u" A6=10u" A7=15u" A8=20u" A9=30u"	BO=0.8U" B1=1U" B2=1.5U" B3=2U" B4=3U" B5=5U" B6=10U" B7=15U" B8=20U" B9=30U"	B: PA6T C: PA9T D: LCP	A: PE Bag B: Tape & Reel C: Tube D: Tube+CAP E: Tray	
20: 2.0mm						
25: 2.54mm						

S1=Ordinary Tin Plated
 S2=Matte Tin Plated
 S3=Tin-plated High-temperature



ITEM	D		B		H			
Standard	0	1.2	1.8	3.0	4.0	1.6	2.0	2.5
Alternate								

REV	DATE	SYMBOL	MODIFICATION DESCRIPTION	OPERATION	SCALE	Fit	东莞市宇熙精密连接器有限公司 Dongguan Yuxi Electronic Co., Ltd.			
				X.X ±0.25	UNIT	MM				
				X.XX ±0.20	SIZE	A4	DESIGN	周芳杰 2021.6.12	PART NO.	P3XX-12XXXXXXMXXXX3
				X.XXX ±0.10	SHEET	1/1	CHECK		TITLE	1.27间距 双排排针 单塑 SMT
				Angle ±3°	PROJ.		APPROVE		Customer No.	
				DIM TOL						

Specifications

备注 (Remark)
 1. 材料 (MATERIAL)
 胶芯: PA6T+30%G.F UL94V-0, 颜色: 黑色.
 Housing: PA6T+30%G.F UL94V-0, Color: Black
 四方针: 黄铜, 镍底30u"MIN, 表面镀金0.8u"MIN
 Contact: Brass, 0.8u"MIN GOLD PLATING OVER ALL
 30u" MIN NICKEL UNDERPLATING OVER ALL

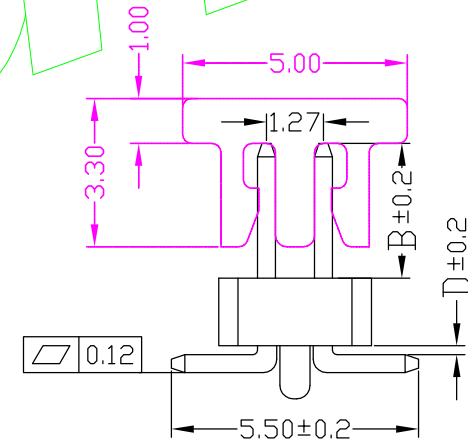
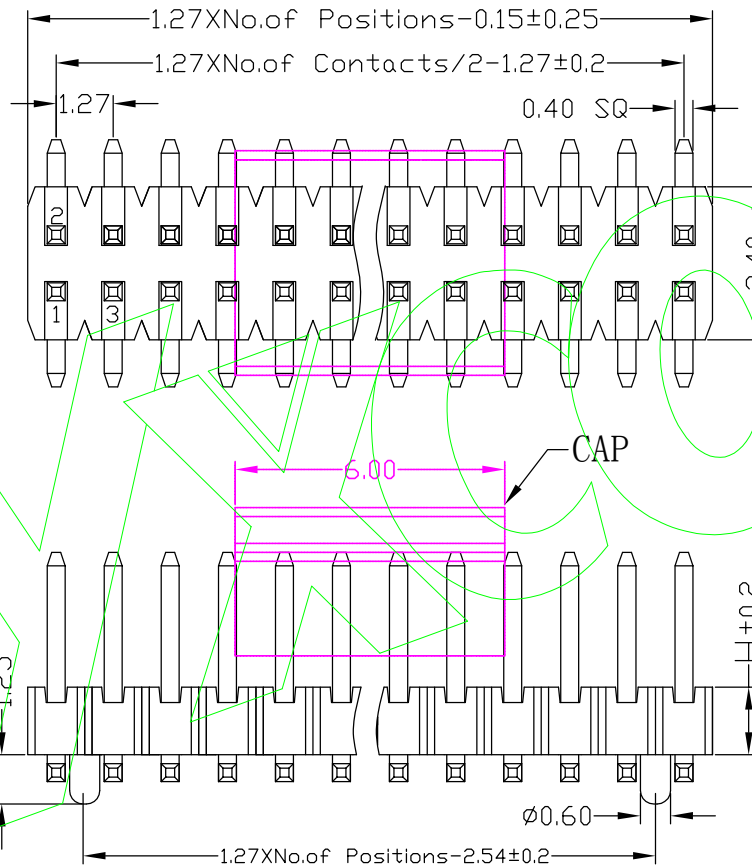
2. 特性 (characteristics):
 额定电流: 1 AMP
 Rating Current: 1 AMP.
 接触阻抗: 20 mΩ MAX.
 Contact Resistance: 20 mΩ MAX.
 绝缘阻抗: 1000 MΩ MIN.
 Insulating Resistance: 1000 MΩ MIN.
 耐电压: AC 500V/分钟.
 Withstanding Voltage: AC 500V/Minute.
 温度范围: -40° C to +105° C
 Temperature Range: -40° C to +105° C

Ordering Information

P3XX-12 XX XX X M XXX X 3

HEIGHT OF HOUSING	NO OF PINS PER ROW	Full Contact	Contact Plating	INSULATOR MATERIAL	LENGTH OF TERMINAL	PACKING
08: 0.8mm	2-50P	A0=0.8u" A1=1u" A2=1.5u" A3=2u" A4=3u" A5=5u" A6=10u" A7=15u" A8=20u" A9=30u"	B0=0.8u" B1=1u" B2=1.5u" B3=2u" B4=3u" B5=5u" B6=10u" B7=15u" B8=20u" B9=30u"	B: PA6T C: PA6T D: LCP		A: PE Bag B: Tape & Reel C: Tube D: Tube+CAP E: Tray
10: 1.0mm						
15: 1.5mm						

S1=Quinary Tin Plated
 S2=Matte Tin Plated
 S3=Tin-plated High temperature



定位柱两种: 1、∅0.6*1.2mm 2、∅0.75*1.5mm

ITEM	D	B	H
Standard	0 1.2	1.8 3.0	4.0 0.8 1.0 1.5
Alternate			

				OPERATION		SCALE		Fit		东莞市宇熙精密连接器有限公司 Dongguan Yuxi Electronic Co., Ltd.	
				X.X ±0.25		UNIT		MM			
				X.XX ±0.20		SIZE		A4		DESIGN	
				X.XXX ±0.10		SHEET		1/1		CHECK	
				Angle ±3°		PRQ.		APPROVE		周芳杰 2021.6.15	
				DIM TOL						PART NO.	
										P3XX-12XXXXXXMXXX3	
										TITLE:	
										1.27间距 双排排针 SMT 带柱	
										Customer No.	

Specifications

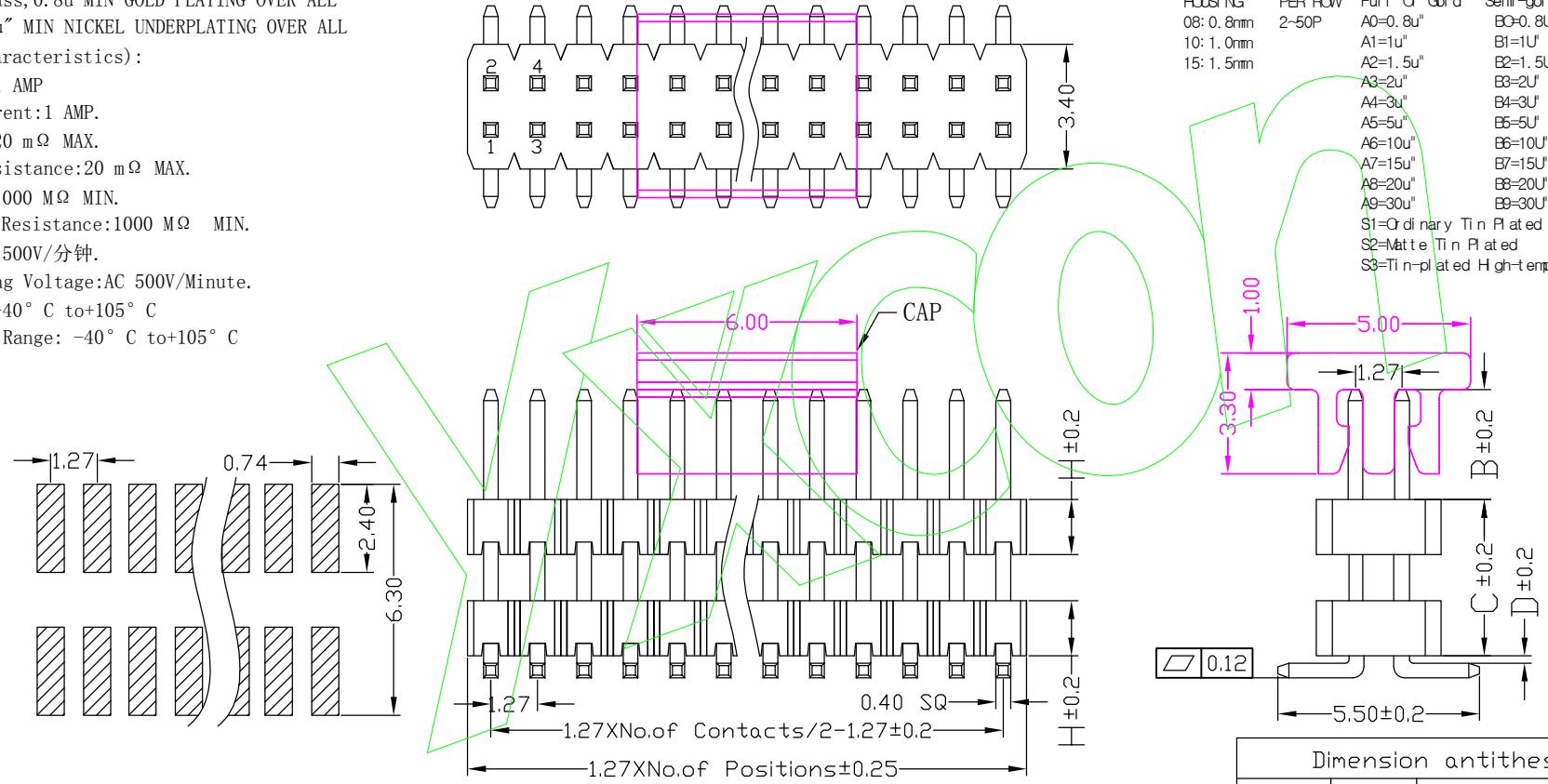
Ordering Information

P3XX-22 XX XX X M XXX X 1

备注 (Remark)
 1. 材料 (MATERIAL)
 胶芯: PA9T+30%G.F UL94V-0, 颜色: 黑色.
 Housing: PA9T+30%G.F UL94V-0, Color: Black
 四方针: 黄铜, 镍底30u"MIN, 表面镀金0.8u"MIN
 Contact: Brass, 0.8u"MIN GOLD PLATING OVER ALL
 30u" MIN NICKEL UNDERPLATING OVER ALL

2. 特性 (characteristics):
 额定电流: 1 AMP
 Rating Current: 1 AMP.
 接触阻抗: 20 mΩ MAX.
 Contact Resistance: 20 mΩ MAX.
 绝缘阻抗: 1000 MΩ MIN.
 Insulating Resistance: 1000 MΩ MIN.
 耐电压: AC 500V/分钟.
 Withstanding Voltage: AC 500V/Minute.
 温度范围: -40° C to +105° C
 Temperature Range: -40° C to +105° C

HEIGHT OF HOUSING	NO. OF PINS PER ROW	Contact Full of Gold	Plating Semi-gold	INSULATOR MATERIAL	LENGTH OF TERMINAL	PACKING
08: 0.8mm 10: 1.0mm 15: 1.5mm	2-50P	A0=0.8u" A1=1u" A2=1.5u" A3=2u" A4=3u" A5=5u" A6=10u" A7=15u" A8=20u" A9=30u"	B0=0.8u" B1=1u" B2=1.5u" B3=2u" B4=3u" B5=5u" B6=10u" B7=15u" B8=20u" B9=30u"	B: PA6T C: PA9T D: LCP		A: PE Bag B: Tape & Reel C: Tube D: Tube+CAP E: Tray
		S1=O di nary Tin Plated S2=Mat te Tin Plated S3=Ti n-plated High-temperature				



Dimension antitheses list

ITEM	D		B		H		C	
Standard	0	1.2	1.8	3.0	4.0	0.8	1.0	1.5
Alternate								

			OPERATION		SCALE		Fit		东莞市宇熙精密连接器有限公司 Dongguan Yuxi Electronic Co., Ltd.	
			X.X	±0.25	UNIT		MM			
			X.XX	±0.20	SIZE	A4	DESIGN	周芳杰 2021.6.15	PART NO.	P3XX-22XXXXXXMXXX1
			X.XXX	±0.10	SHEET	1/1	CHECK		TITLE	1.27间距 双排排针 双塑 SMT
REV	DATE	SYMBOL	MODIFICATION DESCRIPTION		Angle	±3°	PROJ.	APPROVE	Customer No.	
					DIM	TOL				

Specifications

备注 (Remark)

1. 材料 (MATERIAL)

胶芯: PA6T+30%G.F UL94V-0, 颜色: 黑色.
 Housing: PA6T+30%G.F UL94V-0, Color: Black
 四方针: 黄铜, 镍底30u"MIN, 表面镀金0.8u"MIN
 Contact: Brass, 0.8u"MIN GOLD PLATING OVER ALL
 30u" MIN NICKEL UNDERPLATING OVER ALL

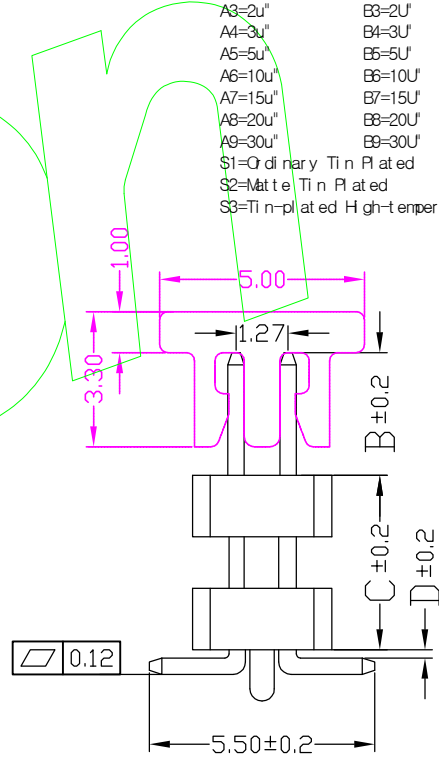
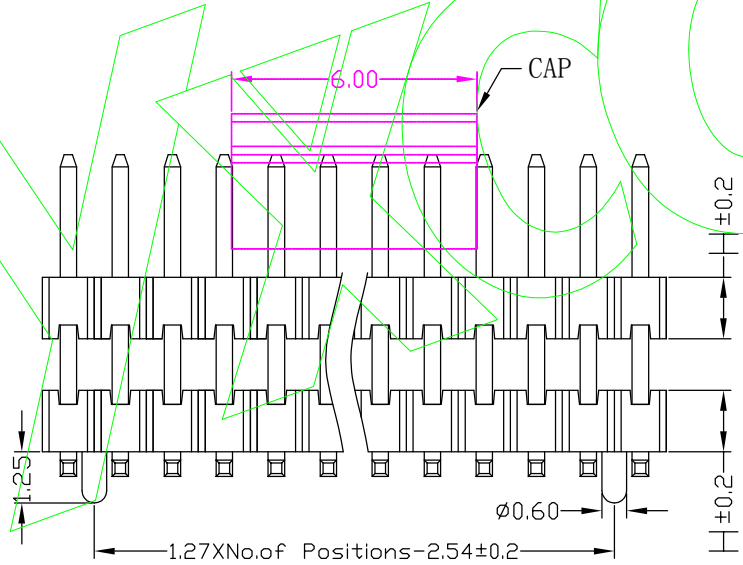
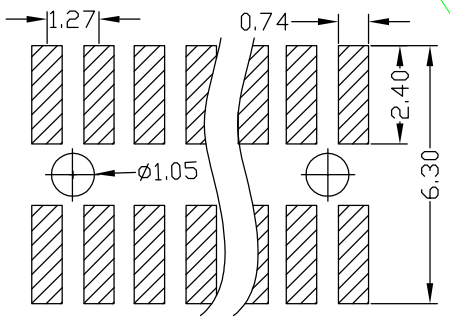
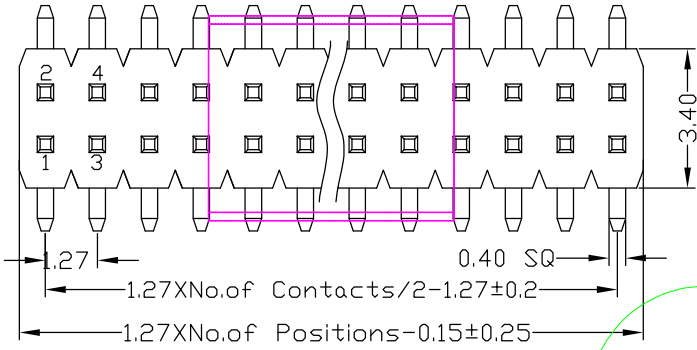
2. 特性 (characteristics):

额定电流: 1 AMP
 Rating Current: 1 AMP.
 接触阻抗: 20 mΩ MAX.
 Contact Resistance: 20 mΩ MAX.
 绝缘阻抗: 1000 MΩ MIN.
 Insulating Resistance: 1000 MΩ MIN.
 耐电压: AC 500V/分钟.
 Withstanding Voltage: AC 500V/Minute.
 温度范围: -40° C to +105° C
 Temperature Range: -40° C to +105° C

Ordering Information

P3XX-22 XX XX X M XXX X 2

HEIGHT OF HOUSING	NO. OF PINS PER ROW	Contact Full of Gold	Plating Semi-gold	INSULATOR MATERIAL	LENGTH OF TERMINAL	PACKING
08: 0.8mm	2-50P	A0=0.8u"	B0=0.8u"	B: PA6T		A: PE Bag
10: 1.0mm		A1=1u"	B1=1u"	C: PA9T		C: Tube
15: 1.5mm		A2=1.5u"	B2=1.5u"	D: LCP		D: Tube+CAP
		A3=2u"	B3=2u"			E: Tray
		A4=3u"	B4=3u"			
		A5=5u"	B5=5u"			
		A6=10u"	B6=10u"			
		A7=15u"	B7=15u"			
		A8=20u"	B8=20u"			
		A9=30u"	B9=30u"			
		S1=0 di nary Tin Plated				
		S2=Mat te Tin Plated				
		S3=Ti n-pl ated High-temper at ure				



定位柱两种: 1、∅0.6*1.2mm 2、∅0.75*1.5mm

ITEM	D		B		H		C	
Standard	0	1,2	1,8	3,0	4,0	0,8	1,0	1,5
Alternate								

				OPERATION		SCALE		Fit		东莞市宇熙精密连接器有限公司 Dongguan Yuxi Electronic Co.,Ltd.			
				X.X	±0.25	UNIT		MM					
				X.XX	±0.20	SI ZE	A4	DESIGN	周芳杰 2021.6.15	PART NO	P3XX-22XXXXXXMXXXX2		
				X.XXX	±0.10	SHEET	1/1	CHECK		TITLE	1.27间距 双排排针 双塑 SMT 带柱		
				Angle	±3°	PROJ.	☉	APPROVE		Customer No.			
				DIM	TOL								
REV	DATE	SYMBOL	MODIFICATION DESCRIPTION										

Specifications

备注 (Remark)

1. 材料 (MATERIAL)

胶芯: PA9T+30%G.F UL94V-0, 颜色: 黑色.
 Housing: PA9T+30%G.F UL94V-0, Color: Black
 四方针: 黄铜, 镍底30u"MIN, 表面镀金0.8u"MIN
 Contact: Brass, 0.8u"MIN GOLD PLATING OVER ALL
 30u" MIN NICKEL UNDERPLATING OVER ALL

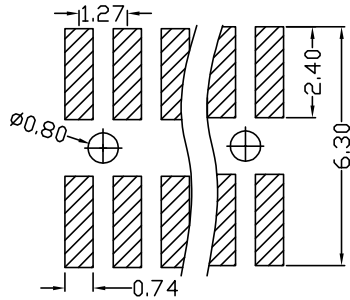
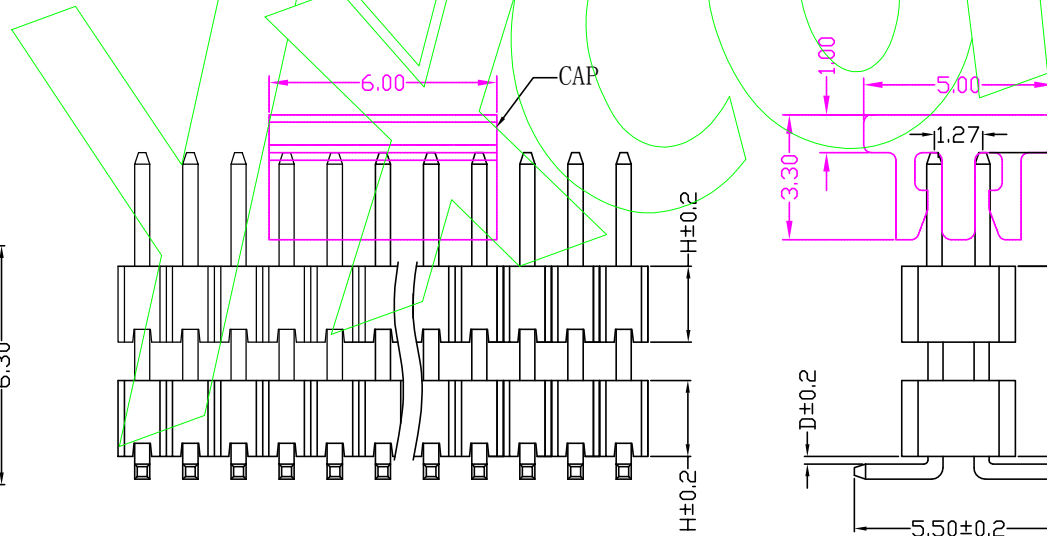
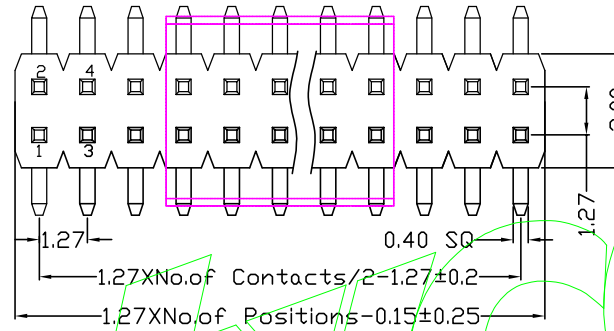
2. 特性 (characteristics):

额定电流: 1 AMP
 Rating Current: 1 AMP.
 接触阻抗: 20 mΩ MAX.
 Contact Resistance: 20 mΩ MAX.
 绝缘阻抗: 1000 MΩ MIN.
 Insulating Resistance: 1000 MΩ MIN.
 耐电压: AC 500V/分钟.
 Withstanding Voltage: AC 500V/Minute.
 温度范围: -40° C to +105° C
 Temperature Range: -40° C to +105° C

Ordering Information

P3XX-22 XX XX X M XXX X 3

HEIGHT OF HOUSING	NO. OF PINS PER ROW	Contact Full of Gold	Plating Semi-gold	INSULATOR LENGTH MATERIAL: CF	PACKING
16: 1.6mm	2-50P	A0=0.8u"	B0=0.8u"	B: PA6T	A: PE Bag
20: 2.0mm		A1=1u"	B1=1u"	C: PA9T	B: Tape & Reel
25: 2.54mm		A2=1.5u"	B2=1.5u"	D: LCP	C: Tube
		A3=2u"	B3=2u"		D: Tube+CAP
		A4=3u"	B4=3u"		E: Tray
		A5=5u"	B5=5u"		
		A6=10u"	B6=10u"		
		A7=15u"	B7=15u"		
		A8=20u"	B8=20u"		
		A9=30u"	B9=30u"		
		S1=0 dinary Tin Plated			
		S2=Matte Tin Plated			
		S3=Tin-plated High-temperature			



Dimension antitheses list						
ITEM	D		B		H	
Standard	0	1.2	1.8	3.0	4.0	1.6 2.0 2.5
Alternate						

REV	DATE	SYMBOL	MODIFICATION DESCRIPTION	OPERATION		SCALE		Fit		DESIGN	周芳杰 2021.6.12	PART NO	P3XX-22XXXXXXMXXX3
				X.X	±0.25	UNIT	MM						
				X.XX	±0.20	SIZE	A4	CHECK		TITLE		1.27间距 双排排针 双翼 SMT	
				X.XXX	±0.10	SHEET	1/1	APPROVE		Customer No.			
				Angle	±3°	PROJ.							
				DIM	TOL								

Yxcon 东莞市宇熙精密连接器有限公司
 Dongguan Yuxi Electronic Co., Ltd.

Specifications

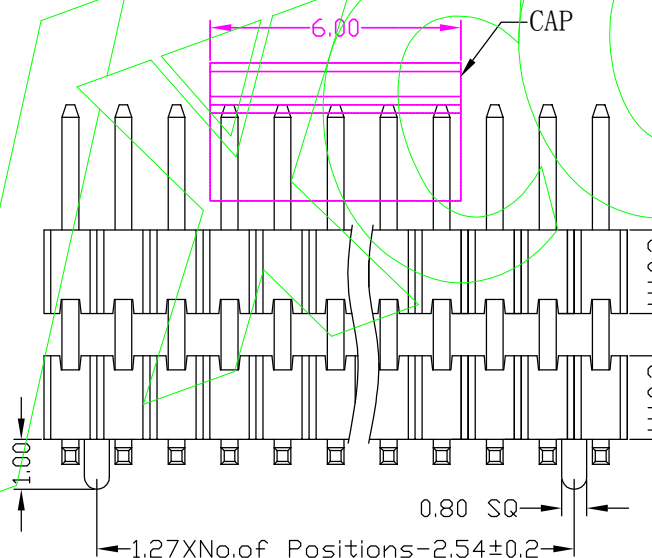
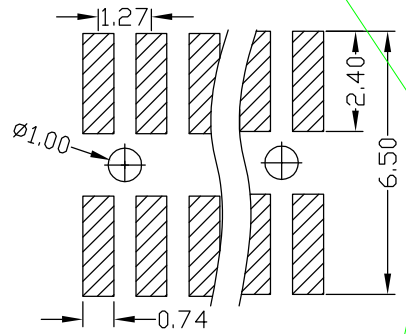
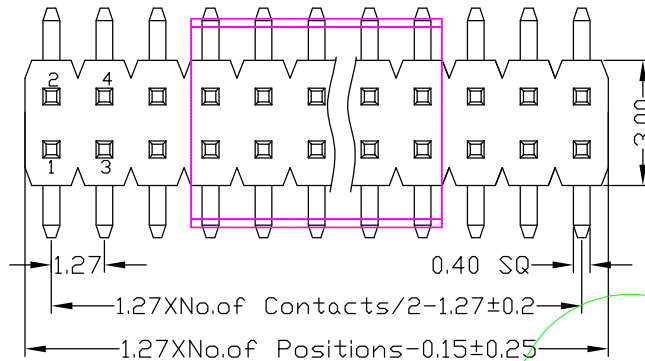
备注 (Remark)

1. 材料 (MATERIAL)

胶芯: PA9T+30%G.F UL94V-0, 颜色: 黑色.
 Housing: PA9T+30%G.F UL94V-0, Color: Black
 四方针: 黄铜, 镍底30u"MIN, 表面镀金0.8u"MIN
 Contact: Brass, 0.8u"MIN GOLD PLATING OVER ALL
 30u" MIN NICKEL UNDERPLATING OVER ALL

2. 特性 (characteristics):

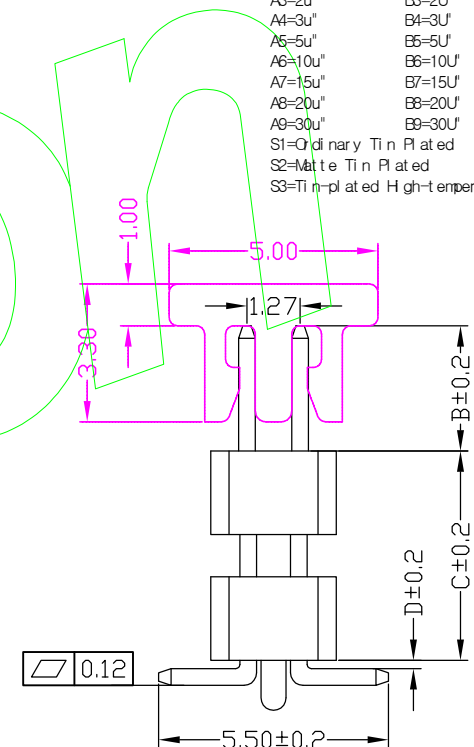
额定电流: 1 AMP
 Rating Current: 1 AMP.
 接触阻抗: 20 mΩ MAX.
 Contact Resistance: 20 mΩ MAX.
 绝缘阻抗: 1000 MΩ MIN.
 Insulating Resistance: 1000 MΩ MIN.
 耐电压: AC 500V/分钟.
 Withstanding Voltage: AC 500V/Minute.
 温度范围: -40° C to +105° C
 Temperature Range: -40° C to +105° C



Ordering Information

P3XX-22 XX XX X M XXX X 5

HEIGHT OF HOUSING	NO. OF PINS PER ROW	Contact Full of Gold	Plating Senti-gold	INSULATOR MATERIAL OF TERMINAL	LENGTH OF TERMINAL	PACKING
16: 1.6mm	2-50P	A0=0.8u"	B0=0.8U'	B: PA6T		A: PE Bag
20: 2.0mm		A1=1u"	B1=1U'	C: PA9T		C: Tube
25: 2.54mm		A2=1.5u"	B2=1.5U'	D: LCP		D: Tube+CAP
		A3=2u"	B3=2U'			E: Tray
		A4=3u"	B4=3U'			
		A5=5u"	B5=5U'			
		A6=10u"	B6=10U'			
		A7=15u"	B7=15U'			
		A8=20u"	B8=20U'			
		A9=30u"	B9=30U'			
		S1=O dinary Tin Plated				
		S2=Matte Tin Plated				
		S3=Tin-plated High-temperature				



ITEM	D	B	H
Standard	0 1.2 1.8 3.0 4.0 1.6 2.0 2.5		
Alternate			

REV	DATE	SYMBOL	MODIFICATION DESCRIPTION	OPERATION		SCALE		Fit		DESIGN	周芳杰 2021.6.12	PART NO	P3XX-22XXXXXXMXXXX5
				X.X	±0.25	UNIT	MM						
				X.XX	±0.20	SIZE	A4	CHECK		TITLE	1.27间距 双排排针 双塑 SMT 带柱		
				X.XXX	±0.10	SHEET	1/1	APPROVE		Customer No.			
				Angle	±3°	PRQJ.	☉						
				DIM	TOL								

Yxcon 东莞市宇熙精密连接器有限公司
 Dongguan Yuxi Electronic Co., Ltd.

Specifications

备注 (Remark)
 1. 材料 (MATERIAL)
 胶芯: PA6T+30%G.F UL94V-0, 颜色: 黑色.
 Housing: PA6T+30%G.F UL94V-0, Color: Black
 四方针: 黄铜, 镍底30u"MIN, 表面镀金0.8u"MIN
 Contact: Brass, 0.8u"MIN GOLD PLATING OVER ALL
 30u" MIN NICKEL UNDERPLATING OVER ALL

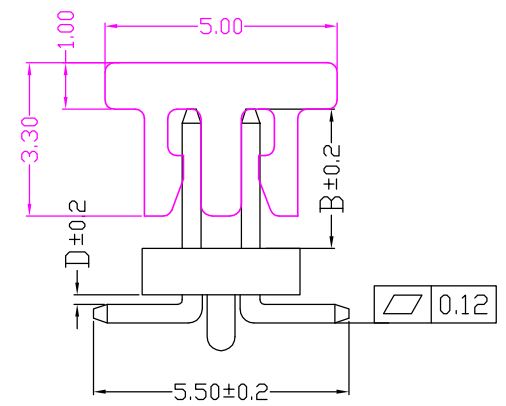
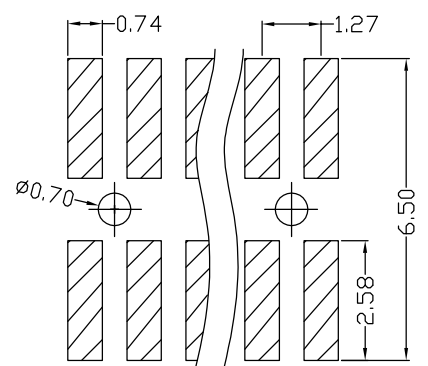
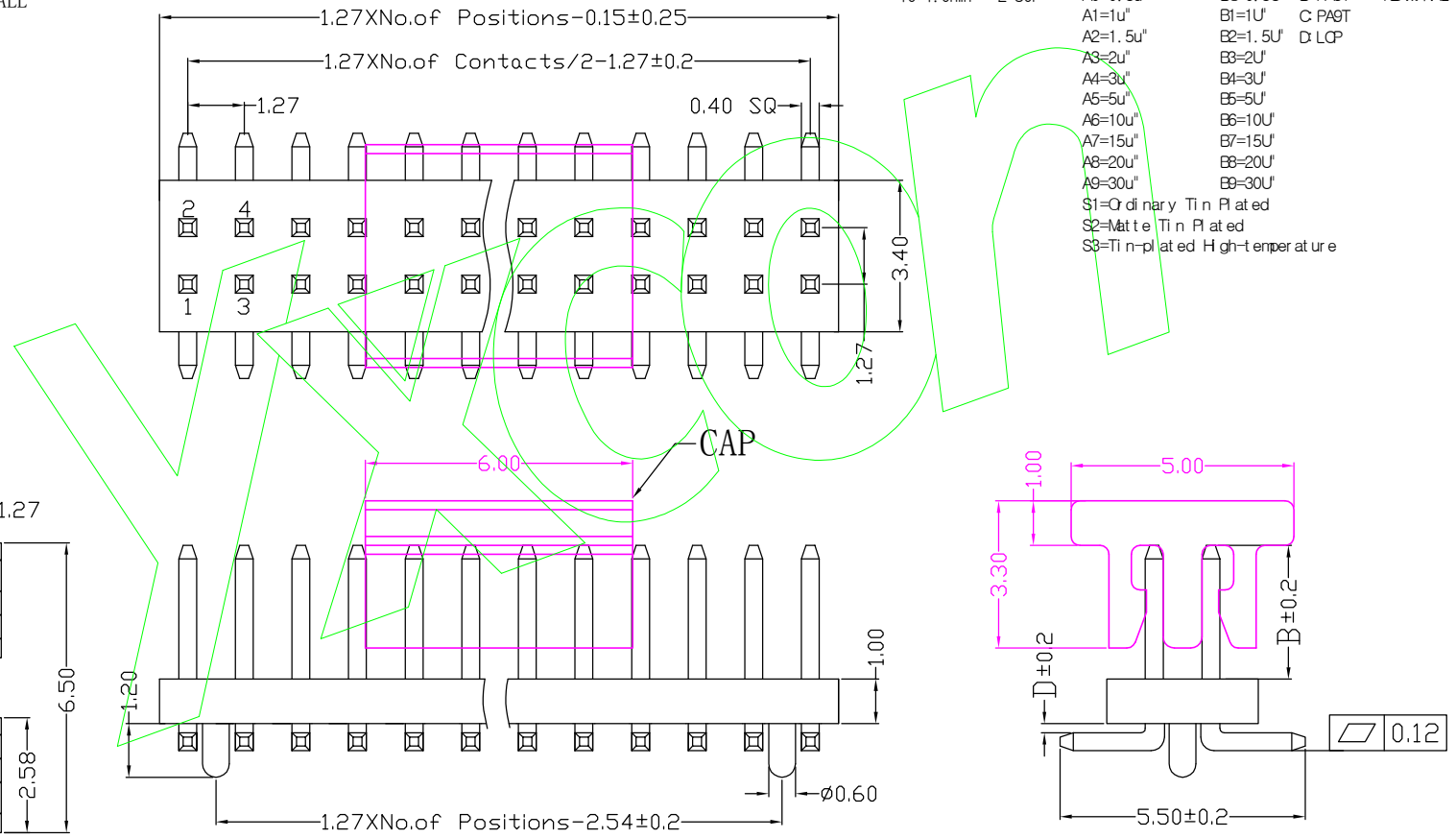
2. 特性 (characteristics):
 额定电流: 1 AMP
 Rating Current: 1 AMP.
 接触阻抗: 20 mΩ MAX.
 Contact Resistance: 20 mΩ MAX.
 绝缘阻抗: 1000 MΩ MIN.
 Insulating Resistance: 1000 MΩ MIN.
 耐电压: AC 500V/分钟.
 Withstanding Voltage: AC 500V/Minute.
 温度范围: -40° C to +105° C
 Temperature Range: -40° C to +105° C

Ordering Information

P310-12 XX XX X M XXX X 4

HEIGHT OF HOUSING	NO. OF PINS PER ROW	Contact Full of Gold	Plating Semi-gold	INSULATOR LENGTH MATERIAL: OF	PACKING
10: 1.0mm	2-50P	A0=0.8u" A1=1u" A2=1.5u" A3=2u" A4=3u" A5=5u" A6=10u" A7=15u" A8=20u" A9=30u"	B0=0.8U" B1=1U" B2=1.5U" B3=2U" B4=3U" B5=5U" B6=10U" B7=15U" B8=20U" B9=30U"	B: PA6T C: PA9T D: LCP	A: PE Bag B: Tape & Feel C: Tube D: Tube+CAP E: Tray

S1=0 dinary Tin Plated
 S2=Matte Tin Plated
 S3=Ti-n-plated High temperature



			OPERATION		SCALE		Fit		东莞市宇熙精密连接器有限公司 Dongguan Yuxi Electronic Co., Ltd.		
			X.X	±0.25	UNIT		MM				
			X.XX	±0.20	SIZE	A4	DESIGN	周芳杰 2021.6.15	PART NO	P310-12XXXXXX4	
			X.XXX	±0.10	SHEET	1/1	CHECK		TITLE	1.27间距 塑高1.0 双排排针 单塑 SMT 带柱	
			Angle	±3°	PROJ.	☉	APPROVE		Customer No.		
REV	DATE	SYMBOL	MODIFICATION DESCRIPTION								

Specifications

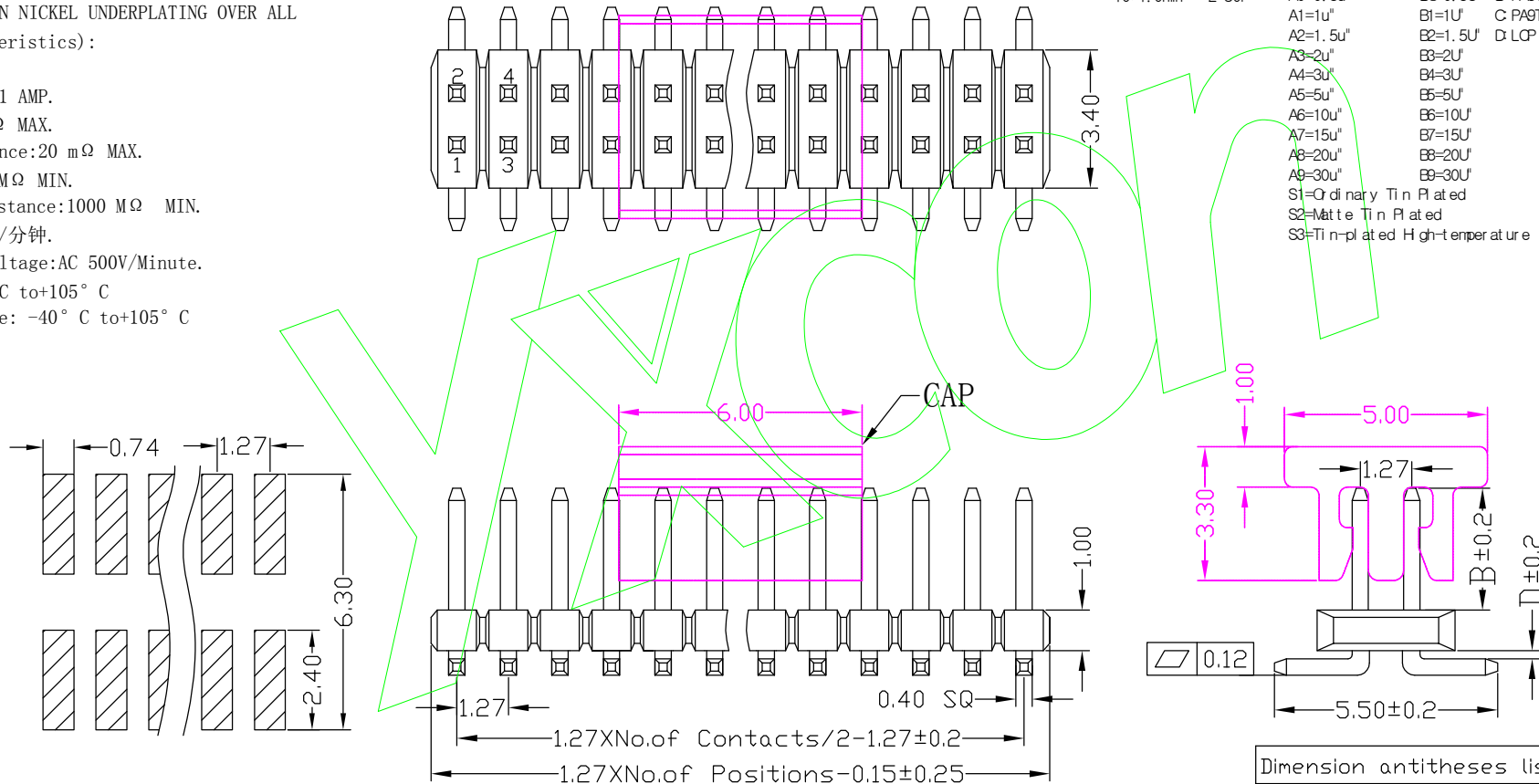
备注 (Remark)
 1. 材料 (MATERIAL)
 胶芯: PA6T+30%G.F UL94V-0, 颜色: 黑色.
 Housing: PA6T+30%G.F UL94V-0, Color: Black
 四方针: 黄铜, 镍底30u"MIN, 表面镀金0.8u"MIN
 Contact: Brass, 0.8u"MIN GOLD PLATING OVER ALL
 30u" MIN NICKEL UNDERPLATING OVER ALL

2. 特性 (characteristics):
 额定电流: 1 AMP
 Rating Current: 1 AMP.
 接触阻抗: 20 mΩ MAX.
 Contact Resistance: 20 mΩ MAX.
 绝缘阻抗: 1000 MΩ MIN.
 Insulating Resistance: 1000 MΩ MIN.
 耐电压: AC 500V/分钟.
 Withstanding Voltage: AC 500V/Minute.
 温度范围: -40° C to +105° C
 Temperature Range: -40° C to +105° C

Ordering Information

P310-12 XX XX X M XXX X 5

HEIGHT OF HOUSING	NO. OF PINS PER ROW	Contact Full of Gold	INSULATOR MATERIAL	LENGTH OF TERMINAL	PACKING
10: 1.0mm	2-50P	A0=0.8u" A1=1u" A2=1.5u" A3=2u" A4=3u" A5=5u" A6=10u" A7=15u" A8=20u" A9=30u"	B0=0.8U" B1=1U" B2=1.5U" B3=2U" B4=3U" B5=5U" B6=10U" B7=15U" B8=20U" B9=30U"	C PA6T D LCP	A: PE Bag B: Tape & Reel C: Tube D: Tube+CAP E: Tray
		S1=Ordinary Tin Plated S2=Matte Tin Plated S3=Tin-plated High-temperature			



ITEM	D	B
Standard	0 1.2 1.8 3.0 4.0	
Alternate		

			OPERATION		SCALE		Fit		东莞市宇熙精密连接器有限公司 Dongguan Yuxi Electronic Co., Ltd.	
			X.X	±0.25	UNIT		MM			
			X.XX	±0.20	SIZE	A4	DESIGN	周芳杰 2021.6.15	PART NO.	P310-12XXXXXX
			X.XXX	±0.10	SHEET	1/1	CHECK		TITLE:	1.27间距 塑高1.0 双排排针 单塑 SMT
REV	DATE	SYMBOL	MODIFICATION DESCRIPTION		ANGLE	±3°	PROJECT	APPROVE	CUSTOMER NO.	
					DIM	TOL				