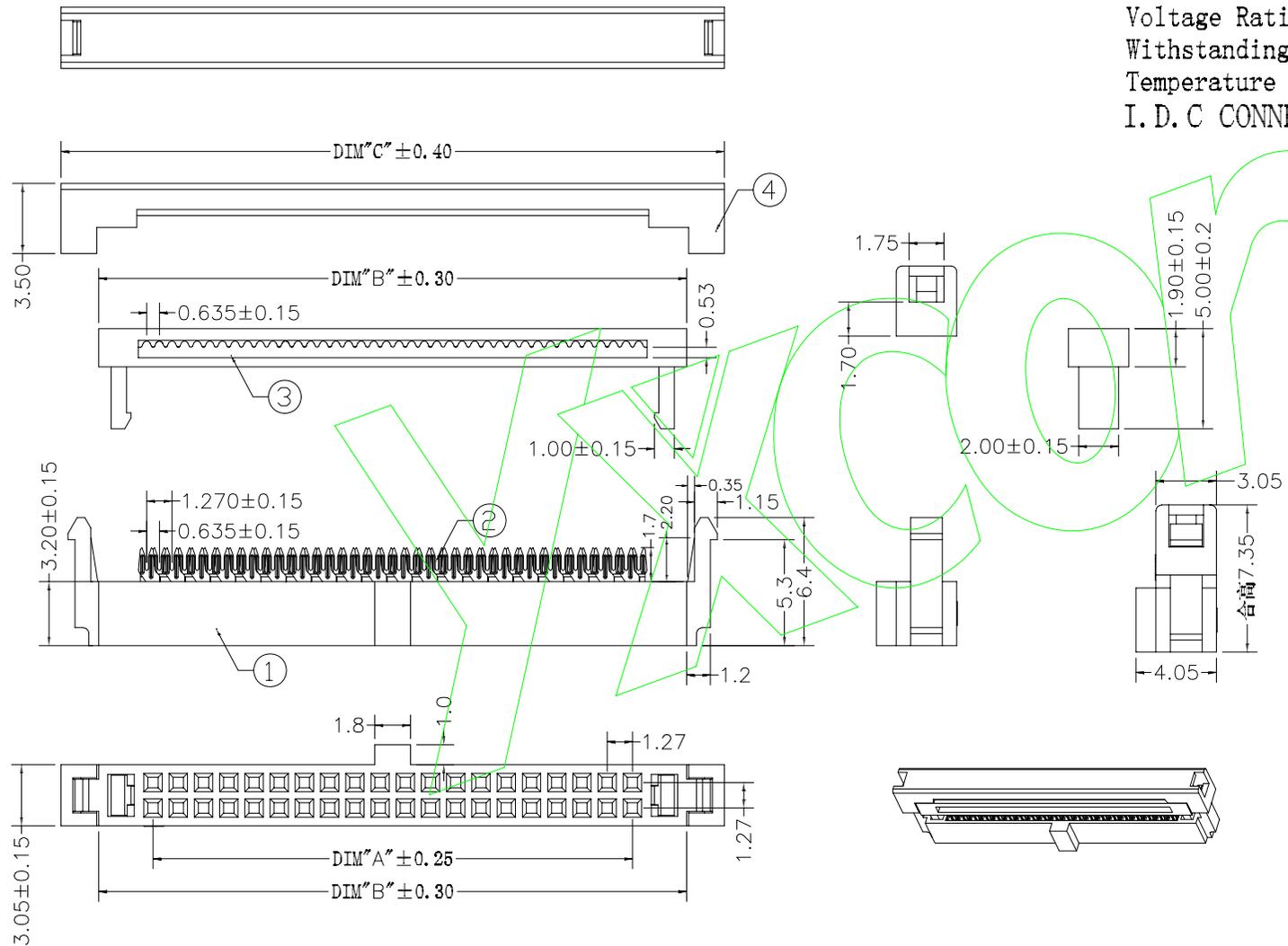


Specification:
 Contact Resistance: 20m Ohm Max.
 Insulation Resistance: 100M Ohm Min.
 Current Rating: 1A AC, DC.
 Voltage Rating: 250V AC, DC.
 Withstanding Voltage: 500V AC Min.
 Temperature Range: -40°C TO 105°C
 I. D. C CONNECTOR PITCH 1.27*1.27



NUMBER OF POSITIONS	DIMENSION		
	A	B	C
06	2.54	8.00	11.80
08	3.81	9.27	13.07
10	5.08	10.54	14.34
12	6.35	11.81	15.61
14	7.62	13.08	16.88
16	8.89	14.35	18.15
20	11.43	16.89	20.69
24	13.97	19.43	23.23
26	15.24	20.70	24.50
30	17.78	23.24	28.31
32	19.05	24.51	27.04
34	20.32	25.78	29.58
36	21.59	27.05	30.85
40	24.13	29.59	33.39
44	26.67	32.13	35.93
50	30.48	35.94	39.74
60	36.83	42.29	46.09
64	39.37	44.83	48.63
66	40.64	46.10	49.90
68	41.91	47.37	51.17
70	43.18	48.64	52.44
74	45.72	51.18	54.98
76	46.99	52.45	56.25
80	49.53	54.99	58.79

				OPERATION		SCALE	Fit	DATE	东莞市宇熙精密连接器有限公司 www.yxcon.com Dongguan Yuxi Electronic Co.,Ltd.		
				X.X	± 0.25	UNIT	MM	2018/08/16			
				X.XX	± 0.20	SIZE	A4	DESIGN	杨哲	PART NO.	IDC3-XX3XXXXXX1
				X.XXX	± 0.10	SHEET	1/1	CHECK		TITLE:	1.27IDC 三件式
REV	DATE	MODIFICATION DESCRIPTION		CHANGE	APPROVE	PROJ.		APPROVE		Customer No.	