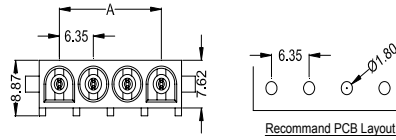


Specifications

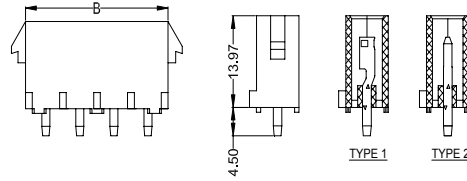
Wafer

備注 (Remark)
1. 材料 (Material)
膠芯: PA66 UL94V-0/2
Housing: PA66 UL94V-0/2
端子: 黃銅
Contact: Brass



9635WVX-XX-XXSN

9635WVX-XX-XXSN

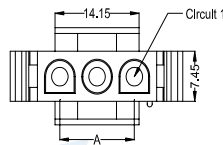


9635WVM-XX-N2SN	Nylon 66 UL 94V-2	Brass	Tin-Plated	9635H	TYPE 2	1,000Pcs
9635WVM-XX-N0SN	Nylon 66 UL 94V-0					
9635WVF-XX-N2SN	Nylon 66 UL 94V-2				TYPE 1	
9635WVF-XX-N0SN	Nylon 66 UL 94V-0					
PART NO	Material	Material(Pin)	Finish(Pin)	Mates With SWB Housing	Note	Q'ty/Bag

Poles	Dimensions (mm)	
	A	B
2	6.35	13.97
3	12.70	20.32
4	19.05	26.67
5	25.40	33.02
6	31.75	39.37
7	38.10	45.72
8	44.45	52.07
9	50.80	58.42
10	57.15	64.77

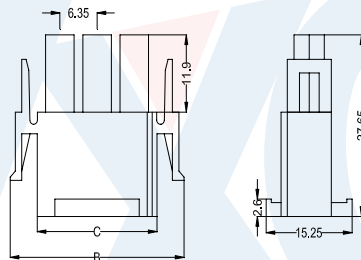
Housing

備注 (Remark)
1. 材料 (Material)
膠芯: PA66 UL94V-0/2
Housing: PA66 UL94V-0/2



9635HM-XX-XX

9635HM-XX-XX



9635HM-XX-N2	Nylon 66 UL 94V-2	9635TF	9635HF
9635HM-XX-N0	Nylon 66 UL 94V-0		
PART NO	Material	Suitable SWB Terminal	Mates With SWB Housing

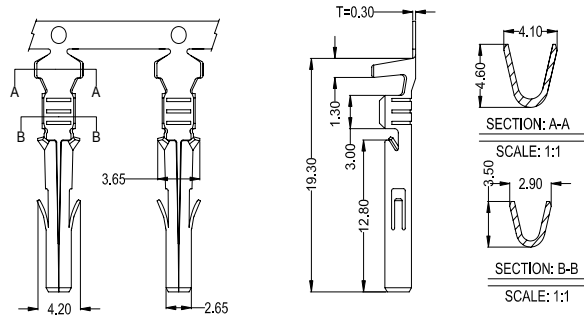
Poles	Dimensions (mm)		
	A	B	C
02	6.35	23.25	13.95
03	12.70	29.60	20.30
04	19.05	35.95	26.65
05	25.40	42.30	33.00
06	31.75	48.65	39.35
08	44.45	61.35	45.70

W

WAFER

Terminal

備注 (Remark)
1. 材料 (Material)
端子: 黃銅
Contact: Brass



9635TF-BSNX

9635TF-BSNX

9635TF-BSNB	Brass	AWG#18-24	3.30mm(Max)	Plating Before Stamping: 10-30u" Ni; 40-60u" Sn	9635HM	5,000Pcs
9635TF-BSN				Stamping Before Plating: 30-50u" Ni; 70-120u" Sn		
PART NO	Material	Wire Range	Insulation O.D.	Finish	Used In SWB Housing	Q' ty/Reel