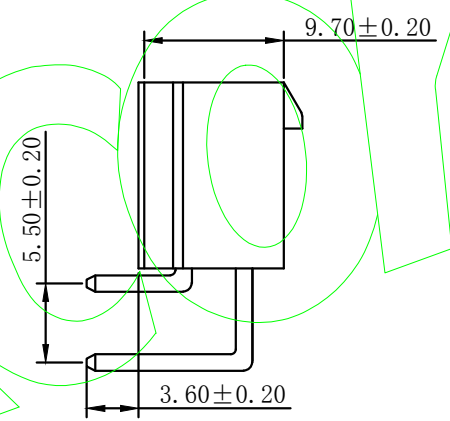
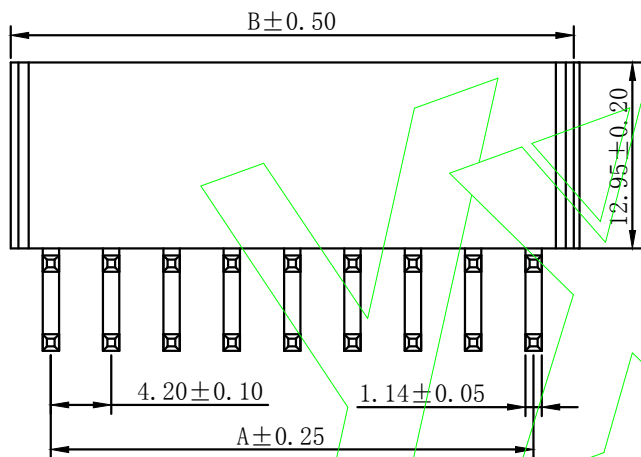


■ SPECIFICATIONS

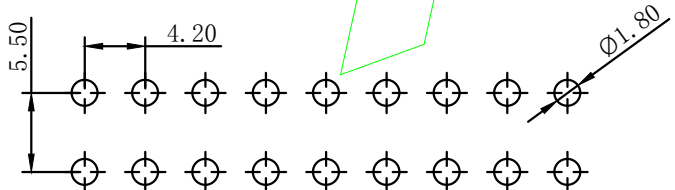
- Voltage rating: 250V AC, DC
- Current rating: 7A, AC, DC
- Withstanding Voltage: 1500V AC/minute
- Insulation resistance: 1000M min
- Temperature range: -25° C ~ +85° C
- Contact resistance: 10m max

■ WAFER

- Part No.: W4202R-2\*NP
- Poles : 02-24
- Material: Nylon 66 UL94V-2
- Pin Material: Brass /Tin-plated



PART NO.	Dimensions (mm)	
	A	B
W4202R-2*01	--	5.60
W4202R-2*02	4.20	9.80
W4202R-2*03	8.40	14.00
W4202R-2*04	12.60	18.20
W4202R-2*05	16.80	22.40
W4202R-2*06	21.00	26.60
W4202R-2*07	25.20	30.80
W4202R-2*08	29.40	35.00
W4202R-2*09	33.60	39.20
W4202R-2*10	37.80	43.40
W4202R-2*11	42.00	47.60
W4202R-2*12	46.20	51.80



P. C. B LAYOUT

				OPERATION		SCALE		Fit		东莞市宇熙精密连接器有限公司 Dongguan Yuxi Electronic Co.,Ltd.	
				X.	±0.30	UNIT		MM			
				X.X	±0.25	SIZE	A4	DESIGN	庞国杰	PART NO.	W4202R-2*NP
				X.XX	±0.20	SHEET	1/1	CHECK		TITLE:	4.2 Wafer 90度
REV	DATE	MODIFICATION DESCRIPTION		CHANGE	APPROVE	DIM	TOL	PROJ.		APPROVE	Customer No.