

**Specifications**

**Wafer**

備注 (Remark)

1. 材料 (Material)

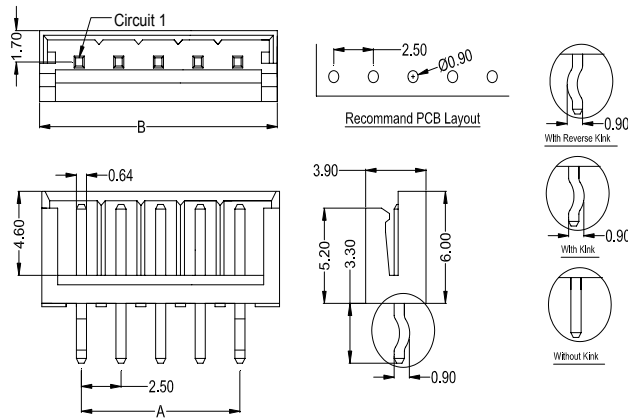
膠芯: PA66 UL94V-0

Housing: PA66 UL94V-0

端子: 黃銅

Contact: Brass

2581WV-XXX-NOSN



2581WV-XXX-NOSN

| Poles | Dimensions (mm) |       |
|-------|-----------------|-------|
|       | A               | B     |
| 02    | 2.50            | 7.50  |
| 03    | 5.00            | 10.00 |
| 04    | 7.50            | 12.50 |
| 05    | 10.00           | 15.00 |
| 06    | 12.50           | 17.50 |
| 07    | 15.00           | 20.00 |
| 08    | 17.50           | 22.50 |
| 09    | 20.00           | 25.00 |
| 10    | 22.50           | 27.50 |
| 11    | 25.00           | 30.00 |
| 12    | 27.50           | 32.50 |
| 13    | 30.00           | 35.00 |
| 14    | 32.50           | 37.50 |
| 15    | 35.00           | 40.00 |

|                 |                   |                |              |                        |          |
|-----------------|-------------------|----------------|--------------|------------------------|----------|
| 2581WV-XXX-NOSN | Nylon 66 UL 94V-0 | Brass          | Tin-Plated   | 2581H                  | 1,000Pcs |
| PART NO         | Material          | Material (Pin) | Finish (Pin) | Mates With SWB Housing | Q'ty/Bag |

**Housing**

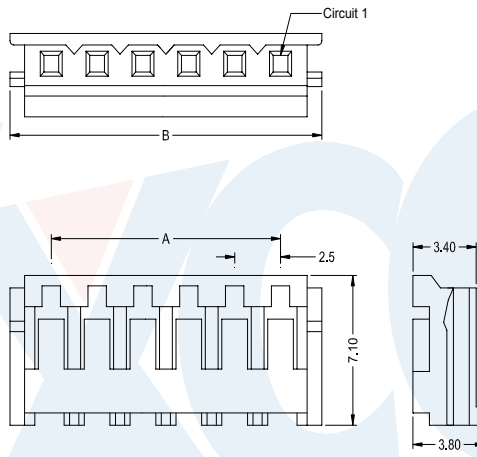
備注 (Remark)

1. 材料 (Material)

膠芯: PA66 UL94V-0

Housing: PA66 UL94V-0

2581H-XX-N0



2581H-XX-N0

| Poles | Dimensions (mm) |       |
|-------|-----------------|-------|
|       | A               | B     |
| 02    | 2.50            | 7.00  |
| 03    | 5.00            | 9.50  |
| 04    | 7.50            | 12.00 |
| 05    | 10.00           | 14.50 |
| 06    | 12.50           | 17.00 |
| 07    | 15.00           | 19.50 |
| 08    | 17.50           | 22.00 |
| 09    | 20.00           | 24.50 |
| 10    | 22.50           | 27.00 |
| 11    | 25.00           | 29.50 |
| 12    | 27.50           | 32.00 |
| 13    | 30.00           | 34.50 |
| 14    | 32.50           | 37.00 |
| 15    | 35.00           | 39.50 |

|             |                   |                       |                      |          |
|-------------|-------------------|-----------------------|----------------------|----------|
| 2581H-XX-N0 | Nylon 66 UL 94V-0 | 2581T                 | 2581W                | 1,000Pcs |
| PART NO     | Material          | Suitable SWB Terminal | Mates With SWB Wafer | Q'ty/Bag |

W

WAFER

**Terminal**

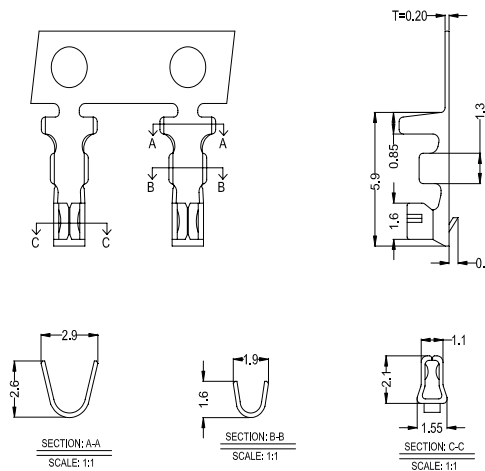
備注 (Remark)

1. 材料 (Material)

端子: 磷青銅

Contact: Phosphor bronze

2581T-PSN



2581T-PSN

|           |                 |            |                 |  |                     |           |
|-----------|-----------------|------------|-----------------|--|---------------------|-----------|
| 2581T-PSN | Phosphor Bronze | AWG#22-30  | 1.90mm(Max)     | Stamping Before Plating: 30-50u" Ni; 70-120u" Sn | 2581H               | 10,000Pcs |
| PART NO   | Material        | Wire Range | Insulation O.D. | Finish   | Used In SWB Housing | Q'ty/Reel |