

Specifications

Wafer

備注 (Remark)

1. 材料 (Material)

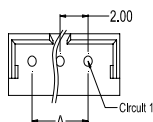
膠芯: PA66 UL94V-0

Housing: PA66 UL94V-0

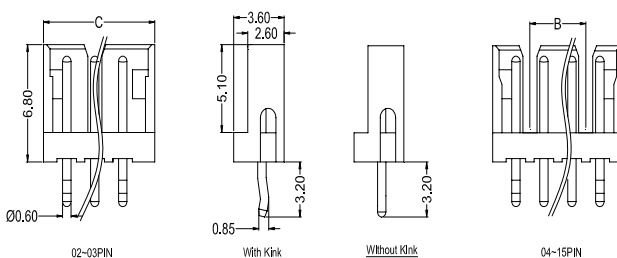
端子: 黃銅

Contact: Brass

2004WV-XXXX-NOSN



2004WV-XXXX-NOSN



Poles	Dimensions (mm)		
	A	B	C
02	2.00		5.96
03	4.00		7.96
04	6.00	4.00	9.96
05	8.00	6.00	11.96
06	10.00	8.00	13.96
07	12.00	10.00	15.96
08	14.00	12.00	17.96
09	16.00	14.00	19.96
10	18.00	16.00	21.96
11	20.00	18.00	23.96
12	22.00	20.00	25.96
13	24.00	22.00	27.96
14	26.00	24.00	29.96
15	28.00	26.00	31.96

2004WV-XX-NOSN	Nylon 66 UL 94V-0	Brass	Tin-Plated	2004H	1,000Pcs
2004WV-XXNK-NOSN					
PART NO	Material	Material(Pin)	Finish(Pin)	Mates With SWB Housing	Qty/Bag

Housing

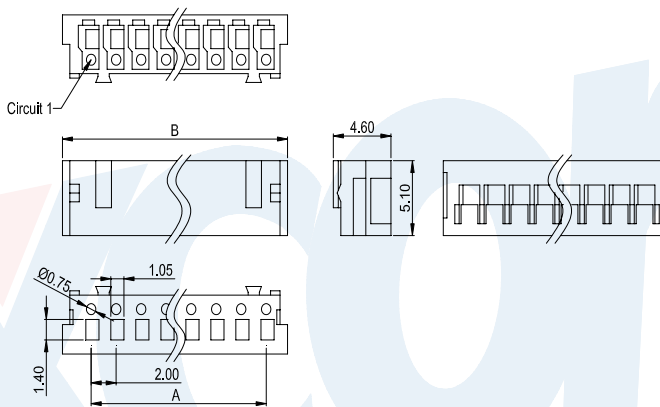
備注 (Remark)

1. 材料 (Material)

膠芯: PA66 UL94V-0

Housing: PA66 UL94V-0

2004H-XX-NOXX



2004H-XX-NOXX

Poles	Dimensions (mm)	
	A	B
02	2.00	6.00
03	4.00	8.00
04	6.00	10.00
05	8.00	12.00
06	10.00	14.00
07	12.00	16.00
08	14.00	18.00
09	16.00	20.00
10	18.00	22.00
11	20.00	24.00
12	22.00	26.00
13	24.00	28.00
14	26.00	30.00
15	28.00	32.00

2004H-XX-N0HF	Nylon 66 UL 94V-0 Halogen Free	2004T	2004W	1,000Pcs
2004H-XX-N0	Nylon 66 UL 94V-0	2004T	2004W	1,000Pcs
PART NO	Material	Suitable SWB Terminal	Mates With SWB Wafer	Qty/Bag

W

WAFER

Terminal

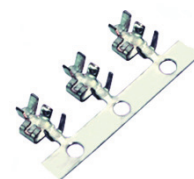
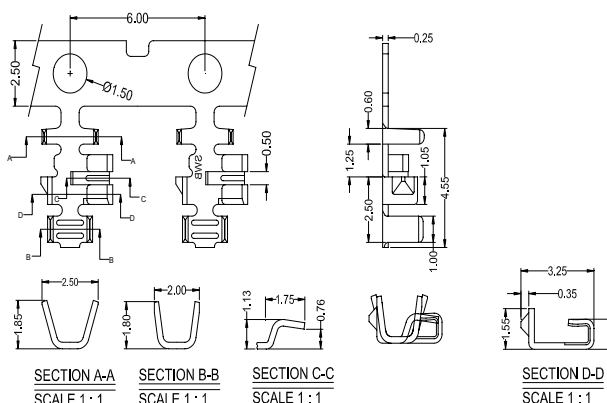
備注 (Remark)

1. 材料 (Material)

端子: 磷青銅

Contact: Phosphor bronze

2004T-PSN-X



2004T-PSN-X

2004T-PSN-M	Phosphor Bronze	AWG#22-26	1.50mm(Max)	Stamping Before Plating:30-50u" Ni;70-120u"Sn	2004H	10,000Pcs
2004T-PSN	Phosphor Bronze	AWG#22-26	1.50mm(Max)	Stamping Before Plating:30-50u" Ni;70-120u"Sn		
PART NO	Material	Wire Range	Insulation O.D.	Finish	Used In SWB Housing	Qty/Reel