

Specifications

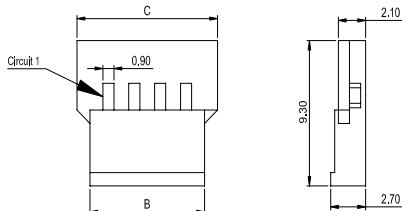
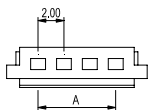
Housing

備注 (Remark)

1. 材料 (Material)

膠芯: PBT/PA66 UL94V-0

Housing: PBT/PA66 UL94V-0



9515HM-XX-XX



9515HM-XX-XX

Poles	Dimensions (mm)			Poles	Dimensions (mm)		
	A	B	C		A	B	C
02	2.00	4.60	6.60	12	22.00	24.60	26.60
03	4.00	6.60	8.60	13	24.00	26.60	28.60
04	6.00	8.60	10.60	14	26.00	28.60	30.60
05	8.00	10.60	12.60	15	28.00	30.60	32.60
06	10.00	12.60	14.60	16	30.00	32.60	34.60
07	12.00	14.60	16.60	17	32.00	34.60	36.60
08	14.00	16.60	18.60	18	34.00	36.60	38.60
09	16.00	18.60	20.60	19	36.00	38.60	40.60
10	18.00	20.60	22.60	20	38.00	40.60	42.60
11	20.00	22.60	24.60				

9515HM-XXHF-N0	PA66 UL 94V-0 Halogen Free	9515TF	9515HF	1,000Pcs
9515HM-XX-PT	PBT UL 94V-0			
PART NO	Material	Suitable SWB Terminal	Mates With SWB Housing	Q'ty/Bag

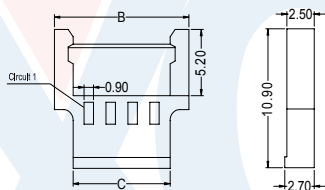
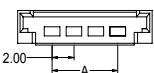
Housing

備注 (Remark)

1. 材料 (Material)

膠芯: PA66/PBT UL94V-0

Housing: PA66/PBT UL94V-0



9515HF-XX-XX



9515HF-XX-XX

Poles	Dimensions (mm)			Poles	Dimensions (mm)		
	A	B	C		A	B	C
02	2.00	8.20	4.60	12	22.00	28.20	24.60
03	4.00	10.20	6.60	13	24.00	30.20	26.60
04	6.00	12.20	8.60	14	26.00	32.20	28.60
05	8.00	14.20	10.60	15	28.00	34.20	30.60
06	10.00	16.20	12.60	16	30.00	36.20	32.60
07	12.00	18.20	14.60	17	32.00	38.20	34.60
08	14.00	20.20	16.60	18	34.00	40.20	36.60
09	16.00	22.20	18.60	19	36.00	42.20	38.60
10	18.00	24.20	20.60	20	38.00	44.20	40.60
11	20.00	26.20	22.60				

9515HF-XXHF-N0	PA66 UL 94V-0 Halogen Free	9515TF	9515HF	1,000Pcs
9515HF-XX-PT	PBT UL 94V-0			
PART NO	Material	Suitable SWB Terminal	Mates With SWB Housing	Q'ty/Bag

W

WAFER

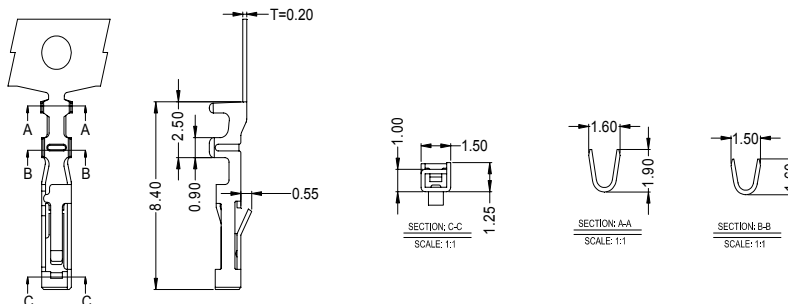
Terminal

備注 (Remark)

1. 材料 (Material)

端子: 磷青銅

Contact: Phosphor bronze



9515TF-PSN



9515TF-PSN

9515TF-PSN	Phosphor Bronze	AWG#24-28	1.40mm(Max)	Stamping Before Plating: 30~50u" Ni; 70~120u" Sn	9515HM	10,000Pcs
PART NO	Material	Wire Range	Insulation O.D.	Finish	Used In SWB Housing	Q'ty/Reel