

Specifications

Wafer

備注 (Remark)

1. 材料 (Material)

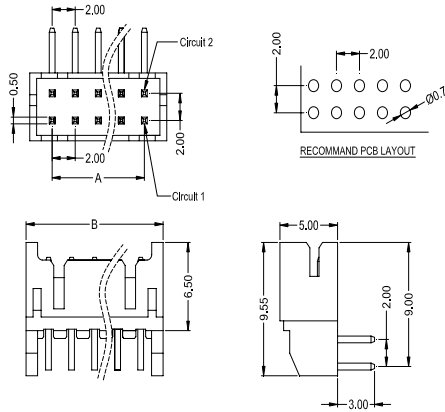
膠芯: PA66/LCP UL94V-0

Housing: PA66/LCP UL94V-0

端子: 黃銅

Contact: Brass

2026WR-2*XX-NOSN



2026WR-2*XX-NOSN

2026WR-2*XX-NOSNHF	Nylon 66 UL 94V-0 Halogen Free	Brass	Tin-Plated	2026H	1,000Pcs
2026WR-2*XX-LPV01	LCP UL 94V-0	Brass	Gold Flash	2026H	1,000Pcs
2026WR-2*XX-N0V01	Nylon 66 UL 94V-0	Brass	Gold Flash	2026H	1,000Pcs
2026WR-2*XX-N0SNBK	Nylon 66 UL 94V-0	Brass	Tin-Plated	2026H	1,000Pcs
2026WR-2*XX-N0SN	Nylon 66 UL 94V-0	Brass	Tin-Plated	2026H	1,000Pcs
PART NO	Material	Material(Pin)	Finish(Pin)	Mates With SWB Housing	Q'ty/Bag

Poles	Dimensions (mm)		Poles	Dimensions (mm)	
	A	B		A	B
04	2.00	6.00	26	24.00	28.00
06	4.00	8.00	28	26.00	30.00
08	6.00	10.00	30	28.00	32.00
10	8.00	12.00	32	30.00	34.00
12	10.00	14.00	34	32.00	36.00
14	12.00	16.00	36	34.00	38.00
16	14.00	18.00	38	36.00	40.00
18	16.00	20.00	40	38.00	42.00
20	18.00	22.00	42	40.00	44.00
22	20.00	24.00	44	42.00	46.00
24	22.00	26.00			

Wafer

備注 (Remark)

1. 材料 (Material)

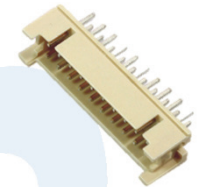
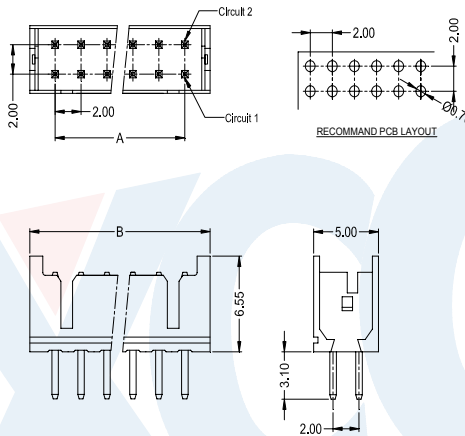
膠芯: PA66/PA6T UL94V-0

Housing: PA66/PA6T UL94V-0

端子: 黃銅

Contact: Brass

2026WV-2*XXA-XXSN



2026WV-2*XXA-XXSN

2026WV-2*XXA-6TSN	PA6T UL 94V-0	Brass	Tin-Plated	2026H-A	1,000Pcs
2026WV-2*XXA-N0SN	PA66 UL 94V-0				
PART NO	Material	Material(Pin)	Finish(Pin)	Mates With SWB Housing	Q'ty/Bag

Poles	Dimensions (mm)		Poles	Dimensions (mm)	
	A	B		A	B
04	2.00	8.00	24	22.00	28.00
06	4.00	10.00	26	24.00	30.00
08	6.00	12.00	28	26.00	32.00
10	8.00	14.00	30	28.00	34.00
12	10.00	16.00	32	30.00	36.00
14	12.00	18.00	34	32.00	38.00
16	14.00	20.00	36	34.00	40.00
18	16.00	22.00	38	36.00	42.00
20	18.00	24.00	40	38.00	44.00
22	20.00	26.00			

W

WAFER