

Specifications

Wafer

備注 (Remark)

1. 材料 (Material)

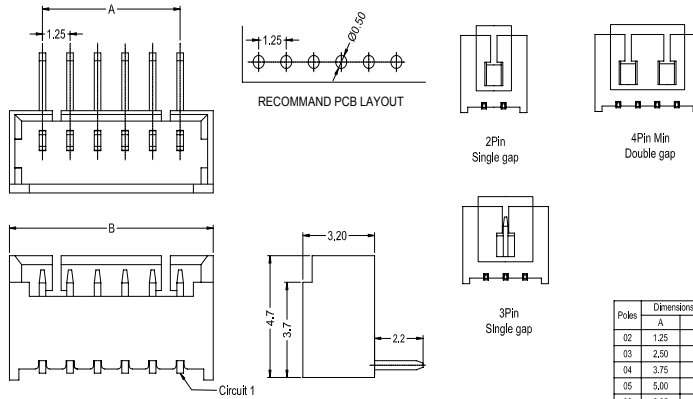
膠芯: PA46/PA66/PA6T UL94V-0

Housing: PA46/PA66/PA6T UL94V-0

端子: 黃銅

Contact: Brass

9821WR-XX-XXSN



9821WR-XX-XXSN

9821WR-XX-6TSN	PA6T UL 94V-0	Brass	Tin-Plated	9821H	1,000Pcs
9821WR-XX-N0SN	PA66 UL 94V-0				
9821WR-XX-46SN	PA46 UL 94V-0				
PART NO	Material	Material (Pin)	Finish (Pin)	Mates With SWB Housing	Qty/Bag

Poles	Dimensions (mm)	
	A	B
02	1.25	4.25
03	2.50	5.50
04	3.75	6.75
05	5.00	8.00
06	6.25	9.25
07	7.50	10.50
08	8.75	11.75
09	10.00	13.00
10	11.25	14.25
11	12.50	15.50
12	13.75	16.75
13	15.00	18.00
14	16.25	19.25
15	17.50	20.50
16	18.75	21.75

Housing

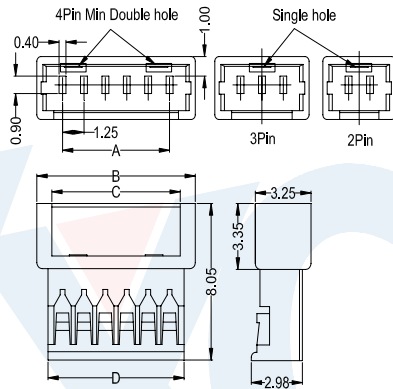
備注 (Remark)

1. 材料 (Material)

膠芯: PA66/PBT UL94V-0

Housing: PA66/PBT UL94V-0

9821HF-XX-XX



Poles	Dimensions (mm)			
	A	B	C	D
2	1.25	4.25	2.55	2.95
3	2.50	5.50	3.75	4.20
4	3.75	6.75	5.00	5.45
5	5.00	8.00	6.25	6.70
6	6.25	9.25	7.50	7.95
7	7.50	10.50	8.75	9.20
8	8.75	11.75	10.00	10.45
9	10.00	13.00	11.25	11.70
10	11.25	14.25	12.50	12.95
11	12.50	15.50	13.75	14.20
12	13.75	16.75	15.00	15.45
13	15.00	18.00	16.25	16.70
14	16.25	19.25	17.50	17.95
15	17.50	20.50	18.75	19.20
16	18.75	21.75	19.00	20.45



9821HF-XX-XX

9821HF-XX-PT	PBT UL 94V-0	9821TM	9821H	1,000Pcs
9821HF-XX-N0HF	PA66 UL 94V-0 Halogen Free			
9821HF-XX-N0	PA66 UL 94V-0			
PART NO	Material	Suitable SWB Terminal	Mates With SWB Housing	Qty/Bag

W

WAFER

Terminal

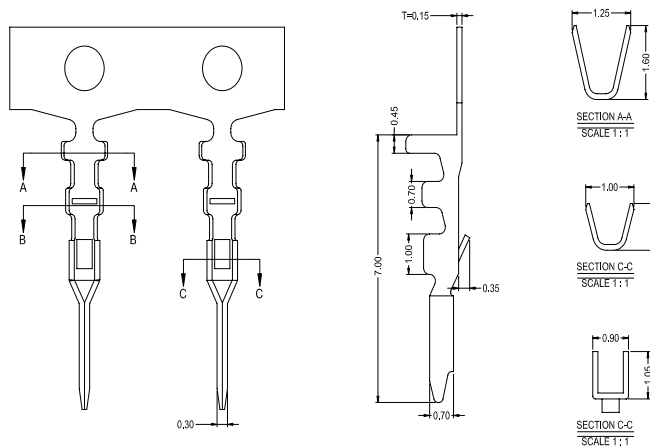
備注 (Remark)

1. 材料 (Material)

端子: 磷青銅

Contact: Phosphor bronze

9821TM-PSN



9821TM-PSN

9821TM-PV01	Phosphor Bronze	AWG#28-32	1.00mm(Max)	Stamping Before Plating: 30-50u" Ni/Whole Gold-Gold Flash	9821HF	15,000Pcs
9821TM-PSN				Stamping Before Plating: 30-50u" Ni/70-120u" Sn		
PART NO	Material	Wire Range	Insulation O.D.	Finish	Used In SWB Housing	Q'ty/Reel