

**Specifications**

**Wafer**

備注 (Remark)

1. 材料 (Material)

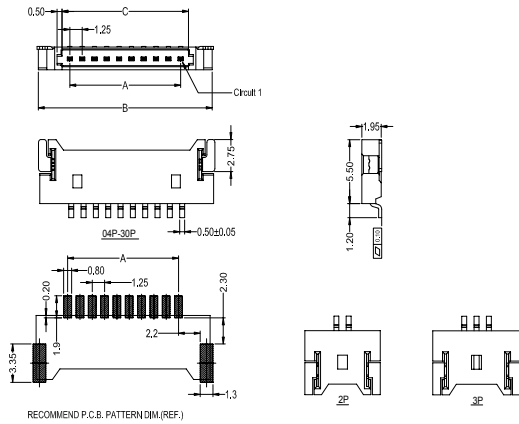
膠芯: PA6T UL94V-0

Housing: PA6T UL94V-0

端子: 黃銅

Contact: Brass

9827WRS-XX-6TXX



9827WRS-XX-6TXX

| PART NO            | Material                       | Material(Pln)   | Finish(Pln) | Material (Solder Tabs) | Finish (Solder Tabs) | Mates With SWB Housing | Q'ty/Reel |
|--------------------|--------------------------------|-----------------|-------------|------------------------|----------------------|------------------------|-----------|
|                    |                                |                 |             |                        |                      |                        |           |
| 9827WRS-XX-9TV01   | Nylon 9T UL 94V-0              | Phorphos bronze | Gold-Flash  | Phorphos bronze        | Gold-Flash           | 9827H                  | 1,000Pcs  |
| 9827WRS-XXHF-5TV01 | Nylon 6T UL 94V-0 Halogen Free | Phorphos bronze | Gold-Flash  | Phorphos bronze        | Gold-Flash           |                        |           |
| 9827WRS-XX-6TV01   | Nylon 6T UL 94V-0              | Phorphos bronze | Gold-Flash  | Phorphos bronze        | Gold-Flash           |                        |           |
| 9827WRS-XX-6TSN    | Nylon 6T UL 94V-0              | Phorphos bronze | Tin-Plated  | Phorphos bronze        | Tin-Plated           |                        |           |

| Poles | Dimensions (mm) |       |       | Poles | Dimensions (mm) |       |       |
|-------|-----------------|-------|-------|-------|-----------------|-------|-------|
|       | A               | B     | C     |       | A               | B     | C     |
| 2     | 1.25            | 7.65  | 2.90  | 10    | 11.25           | 17.65 | 12.90 |
| 3     | 2.50            | 8.90  | 4.15  | 11    | 12.50           | 18.90 | 14.15 |
| 4     | 3.75            | 10.15 | 5.40  | 12    | 13.75           | 20.15 | 15.40 |
| 5     | 5.00            | 11.40 | 6.65  | 14    | 16.25           | 22.65 | 17.90 |
| 6     | 6.25            | 12.65 | 7.90  | 15    | 17.50           | 23.90 | 19.15 |
| 7     | 7.50            | 13.90 | 9.15  | 16    | 18.75           | 25.15 | 20.40 |
| 8     | 8.75            | 15.15 | 10.40 | 20    | 23.75           | 30.15 | 25.40 |
| 9     | 10.00           | 16.40 | 11.65 | 30    | 36.25           | 42.65 | 37.90 |

**Housing**

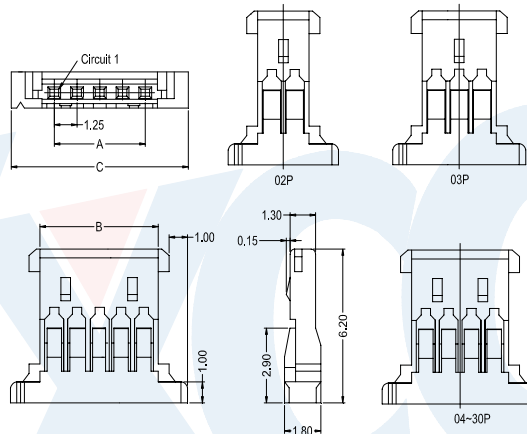
備注 (Remark)

1. 材料 (Material)

膠芯: PA66 UL94V-0

Housing: PA66 UL94V-0

9827H-XX-N0XX



9827H-XX-N0XX

| PART NO       | Material                   | Suitable SWB Terminal | Mates With SWB Wafer | Q'ty/Bag |
|---------------|----------------------------|-----------------------|----------------------|----------|
|               |                            |                       |                      |          |
| 9827H-XX-N0HF | PA66 UL 94V-0 Halogen Free |                       |                      |          |
| 9827H-XX-N0   | PA66 UL 94V-0 With Halogen |                       |                      |          |

| Poles | Dimensions (mm) |       |       |
|-------|-----------------|-------|-------|
|       | A               | B     | C     |
| 2     | 1.25            | 2.72  | 5.72  |
| 3     | 2.50            | 3.97  | 6.97  |
| 4     | 3.75            | 5.22  | 8.22  |
| 5     | 5.00            | 6.47  | 9.47  |
| 6     | 6.25            | 7.72  | 10.72 |
| 7     | 7.50            | 8.97  | 11.97 |
| 8     | 8.75            | 10.22 | 13.22 |
| 9     | 10.00           | 11.47 | 14.47 |
| 10    | 11.25           | 12.72 | 15.72 |
| 11    | 12.50           | 13.97 | 16.97 |
| 12    | 13.75           | 15.22 | 18.22 |
| 13    | 15.00           | 16.47 | 19.47 |
| 14    | 16.25           | 17.72 | 20.72 |
| 15    | 17.50           | 18.97 | 21.97 |
| 16    | 18.75           | 20.22 | 23.22 |
| 20    | 23.75           | 25.22 | 28.22 |
| 25    | 30.00           | 31.47 | 34.47 |
| 30    | 36.25           | 37.72 | 40.72 |

**Terminal**

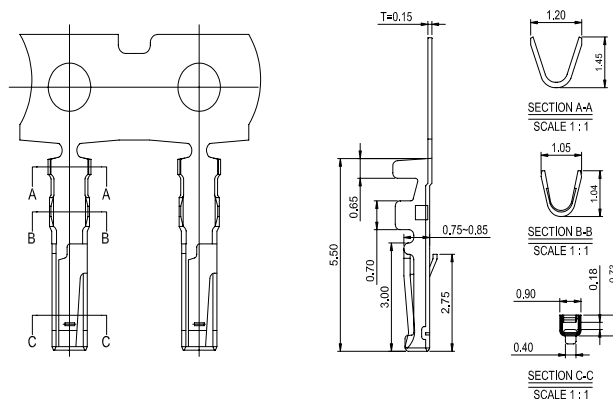
備注 (Remark)

1. 材料 (Material)

端子: 磷青銅

Contact: Phosphor bronze

9827T-PXX



9827T-PXX

| PART NO    | Material        | Wire Range | Insulation O.D. | Finish  | Used In SWB Housing | Q' ty/Reel |
|------------|-----------------|------------|-----------------|---|---------------------|------------|
|            |                 |            |                 |   |                     |            |
| 9827T-PSN1 | Phosphor Bronze | AWG#28-32  | 0.90mm(Max)     | Stamping Before Plating:30-50u" Ni/Min 120u"Sn            |                     |            |
| 9827T-PV01 | Phosphor Bronze | AWG#28-32  | 0.90mm(Max)     | Stamping Before Plating:30-50u" Ni/Whole Gold :Gold Flash |                     |            |
| 9827T-PV03 | Phosphor Bronze | AWG#28-32  | 0.90mm(Max)     | Stamping Before Plating:30-50u" Ni/Whole Gold:3u" Min.    |                     |            |
| 9827T-PSN  | Phosphor Bronze | AWG#28-32  | 0.90mm(Max)     | Stamping Before Plating:30-50u" Ni:70-120u"Sn             |                     |            |