

Specifications

WAFER

備注 (Remark)

1. 材料 (Material)

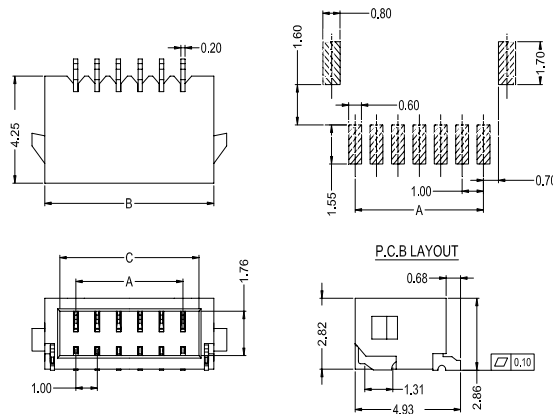
膠芯: HTN/PA9T UL94V-0

Housing: HTN/PA9T UL94V-0

端子: 黃銅

Contact: Brass

1002WRS-XXC-XXSN



1002WRS-XXC-XXSN

1002WRS-XXC-HTSN	HTN UL 94V-0	Brass	Tin-Plated	1002H-C
1002WRS-XXC-9TSN	Nylon 9T UL 94V-0			
PART NO	Material	Material (Pin And Solder Tabs)	Finish (Pin And Solder Tabs)	Mates With SWB Housing

Poles	Dimensions (mm)			Poles	Dimensions (mm)		
	A	B	C		A	B	C
02	1.00	3.90	2.50	12	11.00	13.90	12.50
03	2.00	4.90	3.50	13	12.00	14.90	13.50
04	3.00	5.90	4.50	14	13.00	15.90	14.50
05	4.00	6.90	5.50	15	14.00	16.90	15.50
06	5.00	7.90	6.50	16	15.00	17.90	16.50
07	6.00	8.90	7.50	17	16.00	18.90	17.50
08	7.00	9.90	8.50	18	17.00	19.90	18.50
09	8.00	10.90	9.50	19	18.00	20.90	19.50
10	9.00	11.90	10.50	20	19.00	21.90	20.50
11	10.00	12.90	11.50				

Housing

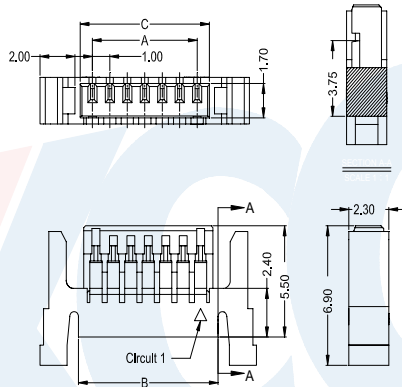
備注 (Remark)

1. 材料 (Material)

膠芯: PA66 UL94V-0

Housing: PA66 UL94V-0

1002H-XXC-NOXX



1002H-XXC-NOXX

1002H-XXC-NOHF	PA66 UL 94V-0 Halogen Free	1002T-A	1002W-C
1002H-XXC-NO	PA66 UL 94V-0		
PART NO	Material	Suitable SWB Terminal	Mates With SWB Wafer

Poles	Dimensions (mm)			Poles	Dimensions (mm)		
	A	B	C		A	B	C
02	1.00	3.00	2.40	12	11.00	13.00	12.40
03	2.00	4.00	3.40	13	12.00	14.00	13.40
04	3.00	5.00	4.40	14	13.00	15.00	14.40
05	4.00	6.00	5.40	15	14.00	16.00	15.40
06	5.00	7.00	6.40	16	15.00	17.00	16.40
07	6.00	8.00	7.40	17	16.00	18.00	17.40
08	7.00	9.00	8.40	18	17.00	19.00	18.40
09	8.00	10.00	9.40	19	18.00	20.00	19.40
10	9.00	11.00	10.40	20	19.00	21.00	20.40
11	10.00	12.00	11.40				

W

WAFER