

Specifications

WAFER

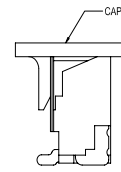
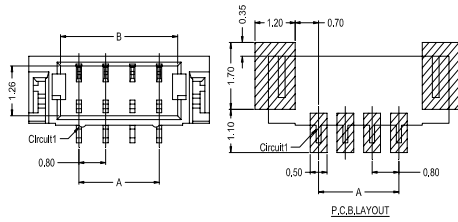
備注 (Remark)

1. 材料 (Material)

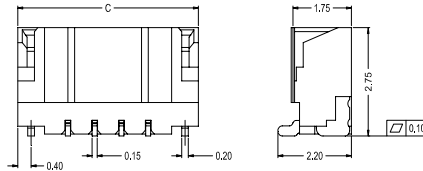
膠芯: PA6T/PA46 UL94V-0,
 Housing: PA6T/PA46 UL94V-0
 端子: 磷青銅

Contact: Phosphor bronze

0800WWS-XX-6TSN



0800WWS-XX-6TSN



Poles	Dimensions (mm)			Poles	Dimensions (mm)		
	A	B	C		A	B	C
2	0.80	1.90	3.80	14	10.40	11.50	13.40
3	1.60	2.70	4.60	15	11.20	12.30	14.20
4	2.40	3.50	5.40	16	12.00	13.10	15.00
5	3.20	4.30	6.20	17	12.80	13.90	15.80
6	4.00	5.10	7.00	18	13.60	14.70	16.60
7	4.80	5.90	7.80	19	14.40	15.50	17.40
8	5.60	6.70	8.60	20	15.20	16.30	18.20
9	6.40	7.50	9.40	21	16.00	17.10	19.00
10	7.20	8.30	10.20	22	16.80	17.90	19.80
11	8.00	9.10	11.00	23	17.60	18.70	20.60
12	8.80	9.90	11.80	24	18.40	19.50	21.40
13	9.60	10.70	12.60				

Part No.	Material	Material (Pin)	Finish (Pin)	Material (Solder Tabs)	Finish (Solder Tabs)	Mates With Housing	Qty/Bag
0800WWS-XX-46G01	Nylon 46 UL 94V-0	Phosphor Bronze	Gold-Flash	Brass	Gold-Flash	0800H	1,000Pcs
0800WWS-XX-6TSN	Nylon 6T UL 94V-0	Phosphor Bronze	Tin-Plated	Brass	Tin-Plated		

WAFER

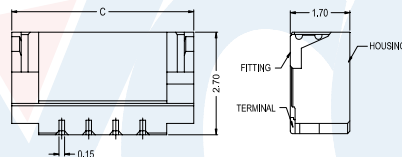
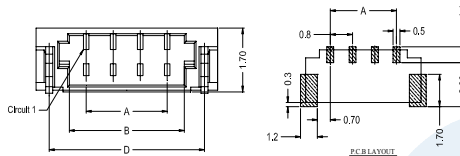
備注 (Remark)

1. 材料 (Material)

膠芯: PA6T/PA46/LCP UL94V-0
 Housing: PA6T/PA46/LCP UL94V-0
 端子: 磷青銅

Contact: Phosphor bronze

0800WRS-XX-XXSN



Poles	Dimensions (mm)			
	A	B	C	D
2	0.80	1.90	3.80	3.00
3	1.60	2.70	4.60	3.80
4	2.40	3.50	5.40	4.60
5	3.20	4.30	6.20	5.40
6	4.00	5.10	7.00	6.20
7	4.80	5.90	7.80	7.00
8	5.60	6.70	8.60	7.80
9	6.40	7.50	9.40	8.60
10	7.20	8.30	10.20	9.40
11	8.00	9.10	11.00	10.20
12	8.80	9.90	11.80	11.00
13	9.60	10.70	12.60	11.80
14	10.40	11.50	13.40	12.60
15	11.20	12.30	14.20	13.40

Part No.	Material	Material (Pin)	Finish (Pin)	Material (Solder Tabs)	Finish (Solder Tabs)	Mates With Housing	Qty/Reel
0800WRS-XX-46V01	PA46 UL 94V-0	Phosphor Bronze	Gold-Flash	Brass	Gold-Flash	0800H	3,500Pcs
0800WRS-XX-46G01	PA46 UL 94V-0		Gold-Flash		Gold-Flash		
0800WRS-XXHF-LPV01	LCP UL 94V-0 Halogen-free		Gold-Flash		Gold-Flash		
0800WRS-XX-LPV01	LCP UL 94V-0		Gold-Flash		Gold-Flash		
0800WRS-XX-6TV01	Nylon 6T UL 94V-0		Gold-Flash		Gold-Flash		
0800WRS-XX-6TSN	Nylon 6T UL 94V-0		Tin-Plated		Tin-Plated		



0800WRS-XX-XXSN

W

WAFER

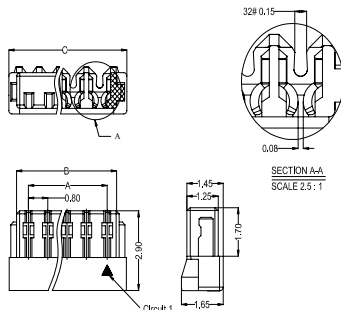
Housing

備注 (Remark)

1. 材料 (Material)

膠芯: PA66 UL94V-0,
 Housing: PA66 UL94V-0

0800HI-XXX-XXXX



Poles	Dimensions (mm)		
	A	B	C
2	0.80	1.78	2.40
3	1.60	2.58	3.20
4	2.40	3.38	4.00
5	3.20	4.18	4.80
6	4.00	4.98	5.60
7	4.80	5.78	6.40
8	5.60	6.58	7.20
9	6.40	7.38	8.00
10	7.20	8.18	8.80
11	8.00	8.98	9.60
12	8.80	9.78	10.40
13	9.60	10.58	11.20
14	10.40	11.38	12.00
15	11.20	12.18	12.80
16	12.00	12.98	13.60
17	12.80	13.78	14.40
18	13.60	14.58	15.20
19	14.40	15.38	16.00
20	15.20	16.18	16.80
21	16.00	16.98	17.60
22	16.80	17.78	18.40
23	17.60	18.58	19.20
24	18.40	19.38	20.00

Part No.	Material	Wire Range	Insulation O.D.	Material(Terminal)	Finish(Terminal)	Mates With Wafer	Qty/Bag
0800H-XX-N0HF	PA66 UL 94V-0	AWG#32	0.38mm(Max)	Phosphor Bronze	Tin-Plated	0800W	1,000Pcs
0800H-XXG-N0HF	Halogen Free				Gold-Flash		
0800H-XXG-N0	PA66 UL 94V-0				Tin-Plated		
0800H-XXG-6T	PA6T UL 94V-0						
0800H-XX-6T	PA6T UL 94V-0						
0800H-XX-4N	PA66 UL 94V-0						



0800HI-XXX-XXXX