

Specifications

WAFER

備注 (Remark)

1. 材料 (Material)

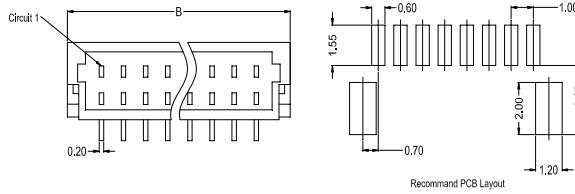
膠芯: LCP/PA6T UL94V-0

Housing: LCP/PA6T UL94V-0

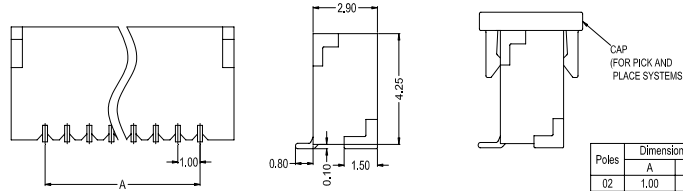
端子: 磷青銅/黃銅

Contact: Phosphor bronze/Brass

1002WVS-XX-XXSN



1002WVS-XX-XXSN



1002WVS-XXHF-LPSN	LCP UL 94V-0 Halogen Free	Phosphor Bronze Or Brass	Tin-Plated	1002H
1002WVS-XX-6TSN	Nylon 6T UL 94V-0	Phosphor Bronze Or Brass		
PART NO	Material (Wafer And Cap)	Material (Pin And Solder Tabs)	Finish (Pin And Solder Tabs)	Mates With SWB Housing

Poles	Dimensions (mm)		Poles	Dimensions (mm)	
	A	B		A	B
02	1.00	4.00	12	11.00	14.00
03	2.00	5.00	13	12.00	15.00
04	3.00	6.00	14	13.00	16.00
05	4.00	7.00	15	14.00	17.00
06	5.00	8.00	16	15.00	18.00
07	6.00	9.00	17	16.00	19.00
08	7.00	10.00	18	17.00	20.00
09	8.00	11.00	19	18.00	21.00
10	9.00	12.00	20	19.00	22.00
11	10.00	13.00	24	23.00	26.00

Housing

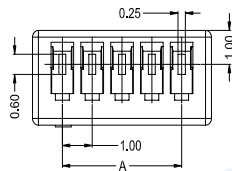
備注 (Remark)

1. 材料 (Material)

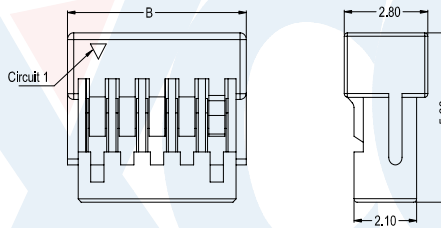
膠芯: PA66/PBT UL94V-0,

Housing: PA66/PBT UL94V-0

1002H-XX-XXXX



1002H-XX-XXXX



1002H-XX-NDHF	PA66 UL 94V-0 Halogen Free	1002T	1002W
1002H-XX-N0	PA66 UL 94V-0		
1002H-XX-PT	PBT UL 94V-0		
PART NO	Material	Suitable Terminal	Mates With Wafer

Poles	Dimensions (mm)		Poles	Dimensions (mm)	
	A	B		A	B
02	1.00	3.00	13	12.00	14.00
03	2.00	4.00	14	13.00	15.00
04	3.00	5.00	15	14.00	16.00
05	4.00	6.00	16	15.00	17.00
06	5.00	7.00	17	16.00	18.00
07	6.00	8.00	18	17.00	19.00
08	7.00	9.00	19	18.00	20.00
09	8.00	10.00	20	19.00	21.00
10	9.00	11.00	22	21.00	23.00
11	10.00	12.00	24	23.00	25.00
12	11.00	13.00			

Terminal

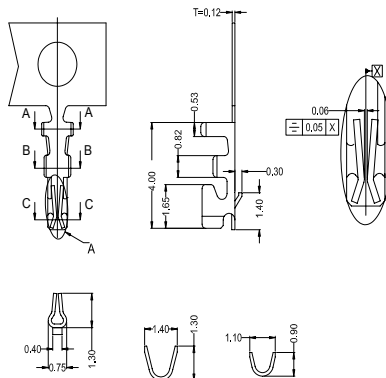
備注 (Remark)

1. 材料 (Material)

端子: 磷青銅

Contact: Phosphor bronze

1002T-PXX



1002T-PXX

1002T-PV03	Phosphor Bronze	AWG#28-32	0.80mm (Max)	Stamping Before Plating: 30-50u" Ni/Whole Gold : 3u" Min.	1002H
1002T-PV01				Stamping Before Plating: 30-50u" Ni/Whole Gold : Gold Flash	
1002T-PSN2				Stamping Before Plating: 50u" Min Ni: 120u" Sn Min	
1002T-FSN				Stamping Before Plating: 30-50u" Ni: 70-120u" Sn	
PART NO	Material	Wire Range	Insulation O.D.	Finish	Used In SWB Housing