

# Specifications

备注 (Remark)

## 1. 材料 (MATERIAL)

胶芯: PA6T/PBT+30%G. F UL94V-0, 颜色: 黑色.  
 Housing: PA6T/PBT+30%G. F UL94V-0, Color: Black  
 四方针: 黄铜, 镍底30u"MIN, 表面镀金0.8u"MIN  
 Contact: Brass, 0.8u"MIN GOLD PLATING OVER ALL  
 30u" MIN NICKEL UNDERPLATING OVER ALL

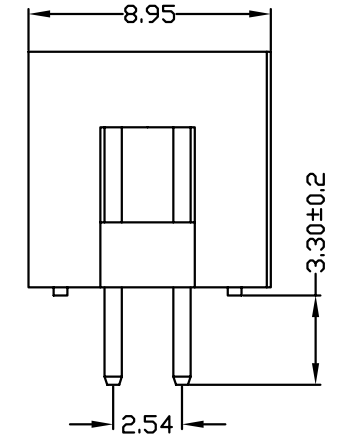
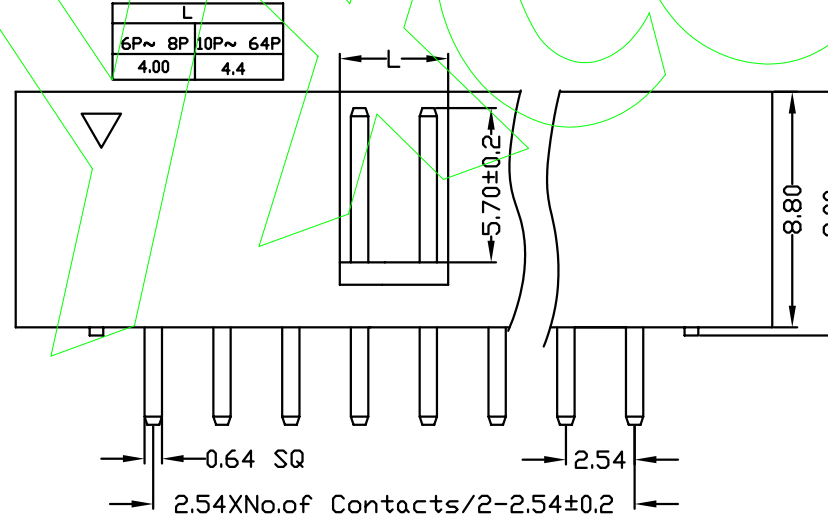
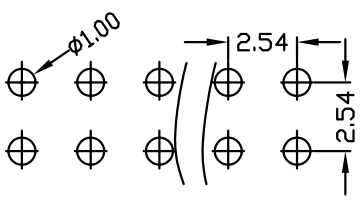
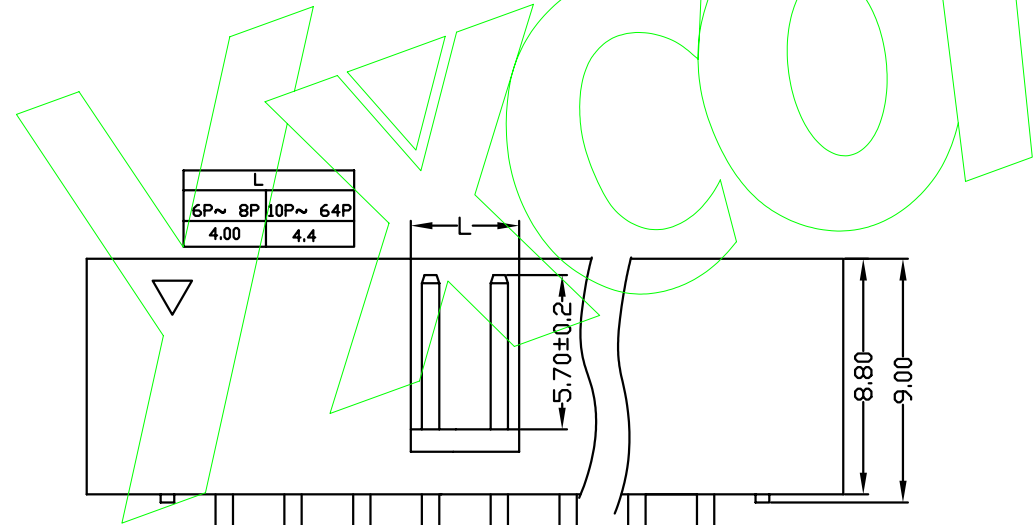
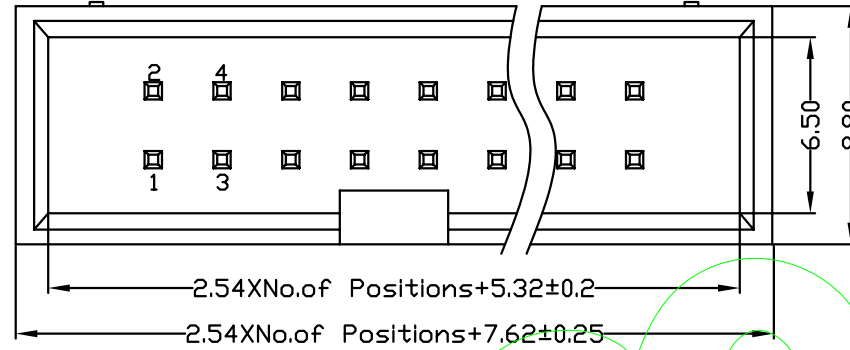
## 2. 特性 (characteristics):

额定电流: 3 AMP  
 Rating Current: 3 AMP.  
 接触阻抗: 20 mΩ MAX.  
 Contact Resistance: 20 mΩ MAX.  
 绝缘阻抗: 1000 MΩ MIN.  
 Insulating Resistance: 1000 MΩ MIN.  
 耐电压: AC 500V.  
 Withstanding Voltage: AC 500V.  
 温度范围: -40°C to+105°C  
 Temperature Range: -40°C to+105°C

# Ordering Information

B190-1 XX XX X S X X 1

NO. OF PINS 4-100P	Contact Plating Full Of Gold	INSULATOR MATERIAL: A:PBT C:PA9T D:LCP	B:Black G:Grey427 E:Grey413 W:White U:Blue	PACKING A:PE Bag B:Tape & Reel C:Tube D:Tube+CAP E:Tray
A0=0.8u"	B0=0.8U"	A:PA9T	E:Grey413	B:Tape & Reel
A1=1u"	B1=1U"	C:PA9T	U:Blue	C:Tube
A2=1.5u"	B2=1.5U"	D:LCP		D:Tube+CAP
A3=2u"	B3=2U"			E:Tray
A4=3u"	B4=3U"			
A5=5u"	B5=5U"			
A6=10u"	B6=10U"			
A7=15u"	B7=15U"			
A8=20u"	B8=20U"			
A9=30u"	B9=30U"			
S1=Ordinary Tin Plated				
S2=Matte Tin Plated				
S3=Tin-plated High-temperature				



L	
6P~8P	10P~64P
4.00	4.4

				OPERATION		SCALE		Fit		东莞市宇熙精密连接器有限公司 Dongguan Yuxi Electronic Co.,Ltd.	
				X.X	±0.25	UNIT		MM			
				X.XX	±0.20	SIZE	A4	DESIGN	卢小强	PART NO.	B190-1XXXXXSXX1
				X.XXX	±0.10	SHEET	1/1	CHECK		TITLE:	2.54筒牛 180度 塑高9.0
REV	DATE	MODIFICATION DESCRIPTION		CHANGE	APPROVE	AngLe	±3°	PROJ.	APPROVE	Customer No.	
						DIM	TOL				