

## Specifications

備注 (Remark)

1. 材料 (Material)

膠芯: PBT+30%G. F UL94V-0, 顏色: 黑色

Housing: PBT+30%G. F UL94V-0, Color: Black

端子: 黃銅

Contact: Brass

2. 特性 (characteristics):

額定電流: 1.00AMP

Rating Current: 1.00AMP

接觸阻抗: 20mΩ Max

Contact Resistance: 20mΩ Max

絕緣阻抗: 1000MΩ Min

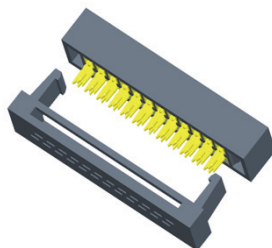
Insulating Resistance: 1000 MΩ MIN

耐電壓: AC 500V

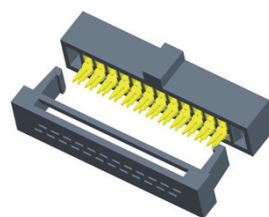
Withstanding Voltage: AC 500V/Minute

溫度範圍: -40° C to +105° C

Temperature Range: -40° C to +105° C

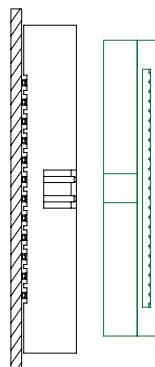


IDC3-XX232XXAUX1

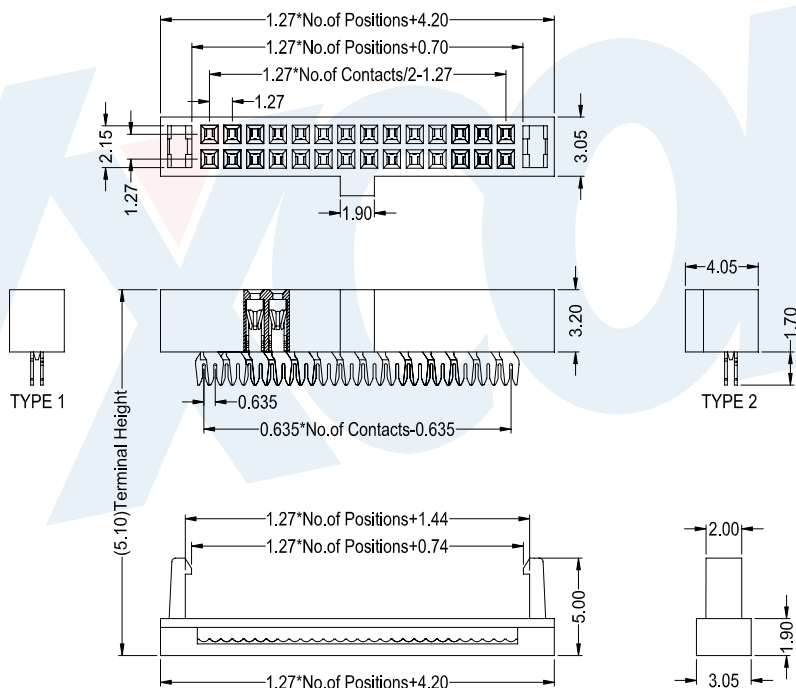


IDC3-XX232XXAUX2

Mating With/配對母座:  
B350



IDC SOCKET



**IDC3-XX**

No. Of Pins Per Row  
06~80P

**2**

**32**

**XX**

**Contact Plating**  
Full Of Gold    Semi-Gold  
A0=0.8u"    B0=0.8U"  
~  
A9=30u"    B9=30U"  
S1=Ordinary Tin Plated  
S2=Matte Tin Plated  
S3=Tin-plated High-temperature

**A**

**U**

**Insulator Colour**  
B:Black  
G:Grey427  
E:Grey413  
W:White  
U:Blue

**X**

**Journal Number**  
1:Type1  
2:Type2

**X**

[Http://www.yxcon.com](http://www.yxcon.com)

E-mail: [yx@yxcon.com](mailto:yx@yxcon.com)

YUXI DONGGUAN (東莞)  
YUXI TAIWAN (台灣)

TEL:+86 769 85397456  
TEL:+886 3313 2933

FAX:+86 769 85396015  
FAX:+886 3313 2935

**Specifications**

備注 (Remark)

1. 材料 (Material)

膠芯: PBT+30%G. F UL94V-0, 顏色: 黑色

Housing: PBT+30%G. F UL94V-0, Color: Black

端子: 磷銅

Contact: Phosphor Bronze

2. 特性 (characteristics):

額定電流: 1.00AMP

Rating Current: 1.00AMP

接觸阻抗: 20mΩ Max

Contact Resistance: 20mΩ Max

絕緣阻抗: 1000MΩ Min

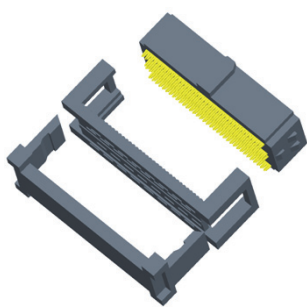
Insulating Resistance: 1000 MΩ MIN

耐電壓: AC 500V

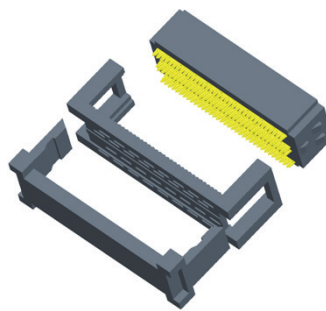
Withstanding Voltage: AC 500V/Minute

溫度範圍: -40° C to +105° C

Temperature Range: -40° C to +105° C

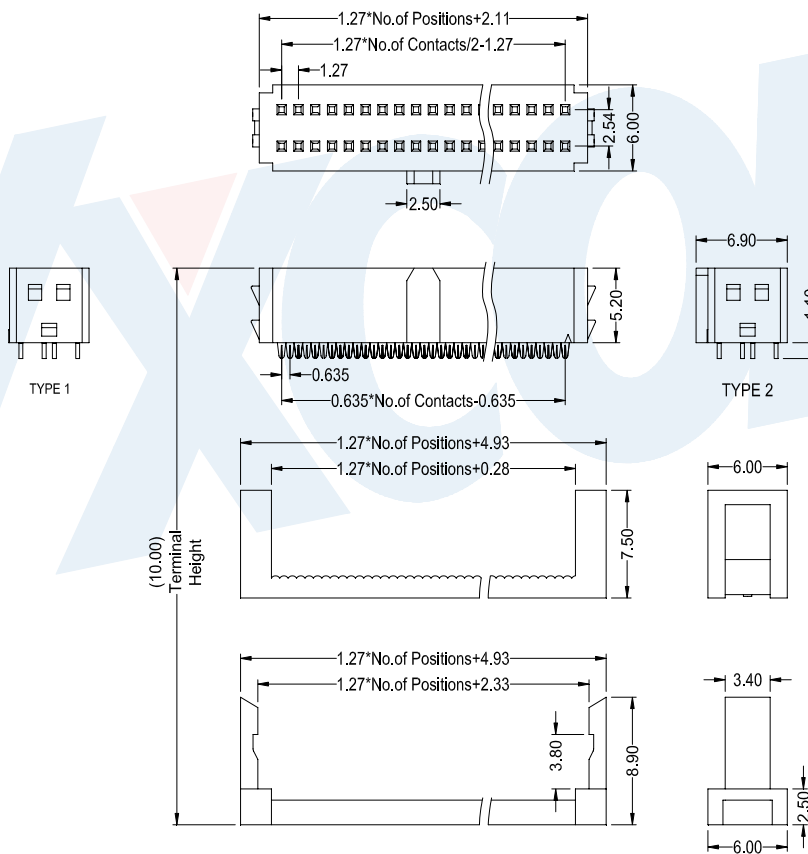
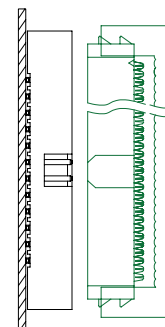


IDC4-XX352XXAYX1



IDC4-XX352XXAYX2

Mating With/配對母座:  
B459



—  
IDC SOCKET

<b>IDC4-XX</b>	<b>3</b>	<b>52</b>	<b>XX</b>	<b>A</b>	<b>Y</b>	<b>X</b>	<b>X</b>
No.Of Pins Per Row 10~100P			Contact Plating Full Of Gold    Semi-Gold A0=0.8u"    B0=0.8u" ~ A9=30u"    B9=30u" S1=Ordinary Tin Plated S2=Matte Tin Plated S3=Tin-plated High-temperature		Insulator Colour B:Black G:Grey427 E:Grey413 W:White U:Blue	Journal Number 1:Type1 2:Type2	