

Specifications

Ordering Information

F789-11 XX XX D SU X 1

备注 (Remark)

1. 材料 (MATERIAL)

胶芯: LCP+30%G.F UL94V-0, 颜色: 黑色.

Housing: LCP+30%G.F UL94V-0, Color: Black

端子: 磷/青铜, 镍底30u"MIN, 表面镀金1u"MIN

Contact: Phosphor bronze, 1u"MIN GOLD PLATING OVER ALL
30u" MIN NICKEL UNDERPLATING OVER ALL

2. 特性 (characteristics):

额定电流: 7 AMP

Rating Current: 7 AMP.

接触阻抗: 20 mΩ MAX.

Contact Resistance: 20 mΩ MAX.

绝缘阻抗: 1000 MΩ MIN.

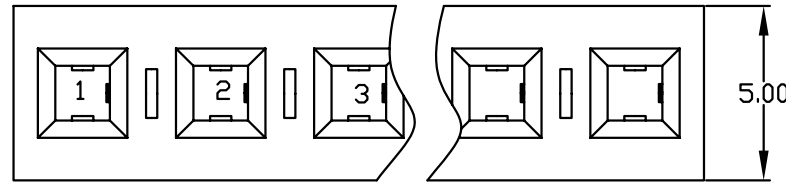
Insulating Resistance: 1000 MΩ MIN.

耐电压: AC 500V.

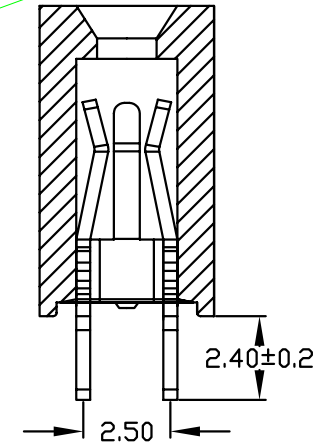
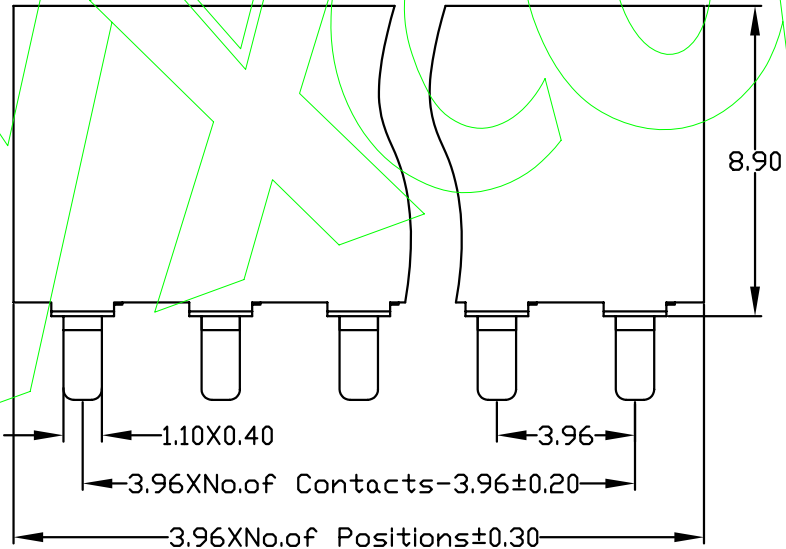
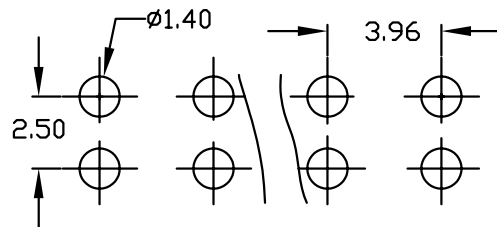
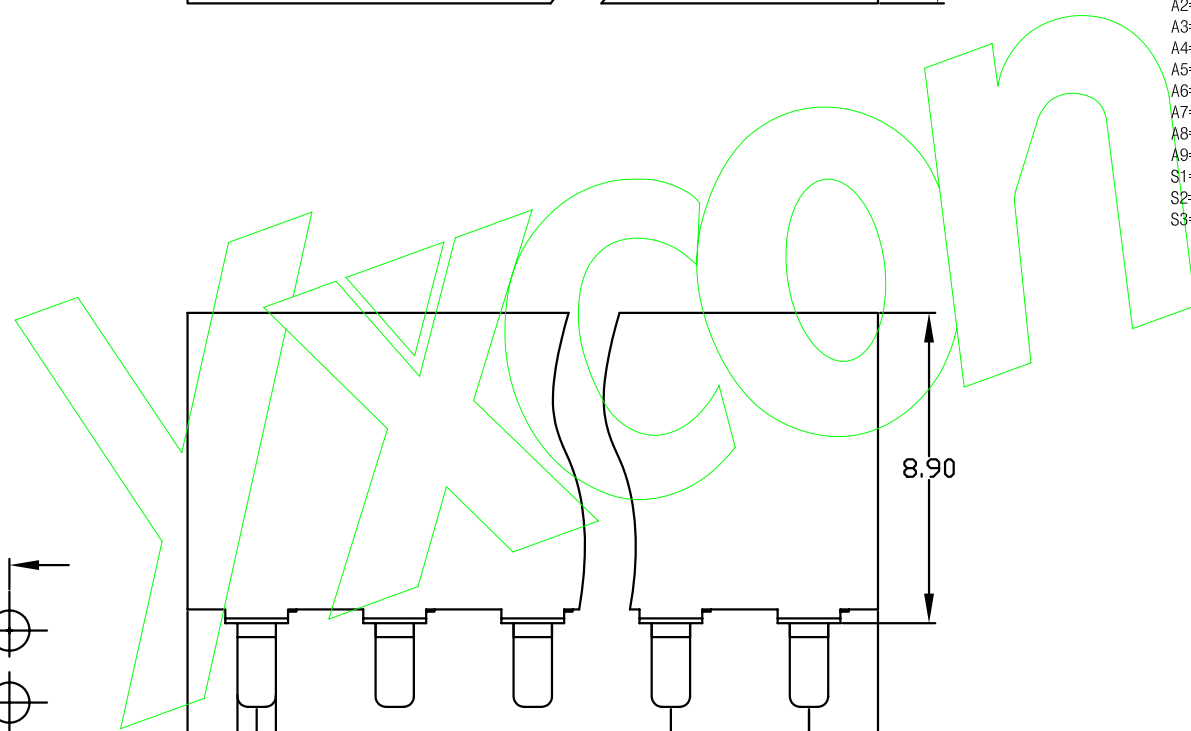
Withstanding Voltage: AC 500V.

温度范围: -40°C to +105°C

Temperature Range: -40°C to +105°C



NO. OF PINS PER ROW	Contact Plating	INSULATOR MATERIAL:	PACKING
1-30P	Full Of Gold	D:LCP	A:PE Bag
	A0=0.8u"		B:Tape & Reel
	A1=1u"		C:Tube
	A2=1.5u"		D:Tube+CAP
	A3=2u"		E:Tray
	A4=3u"		
	A5=5u"		
	A6=10u"		
	A7=15u"		
	A8=20u"		
	A9=30u"		
	S1=Ordinary Tin Plated		
	S2=Matte Tin Plated		
	S3=Tin-plated High-temperature		



				OPERATION		SCALE		Fit		东莞市宇熙精密连接器有限公司 Dongguan Yuxi Electronic Co.,Ltd.	
				X.X	±0.25	UNIT		MM			
				X.XX	±0.20	SIZE	A4	DESIGN	卢小强	PART NO.	F789-11XXXXXSUX1
				X.XXX	±0.10	SHEET	1/1	CHECK		TITLE:	3.96mm 单排母 塑高8.9 180度
REV	DATE	MODIFICATION DESCRIPTION	CHANGE	APPROVE	Angle	±3°	PROJ.	APPROVE		Customer No.	
					DIM	TOL					