

Specifications

备注 (Remark)

1. 材料 (MATERIAL)

胶芯: PA6T+30%G.F UL94V-0, 颜色: 黑色.

Housing: PA6T+30%G.F UL94V-0, Color: Black

端子: 磷/青铜, 镍底30u"MIN, 表面镀金1u"MIN

Contact: Phosphor bronze, 1u"MIN GOLD PLATING OVER ALL
30u" MIN NICKEL UNDERPLATING OVER ALL

2. 特性 (characteristics):

额定电流: 3 AMP

Rating Current: 3 AMP.

接触阻抗: 20 mΩ MAX.

Contact Resistance: 20 mΩ MAX.

绝缘阻抗: 1000 MΩ MIN.

Insulating Resistance: 1000 MΩ MIN.

耐电压: AC 500V.

Withstanding Voltage: AC 500V.

温度范围: -40°C to +105°C

Temperature Range: -40°C to +105°C

Ordering Information

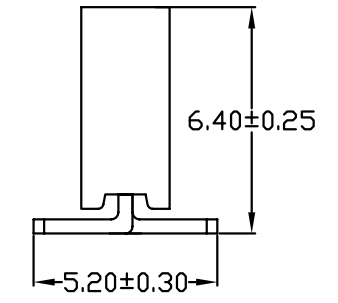
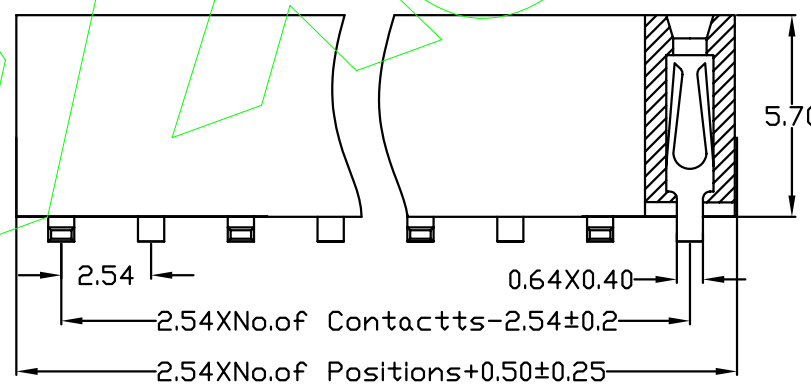
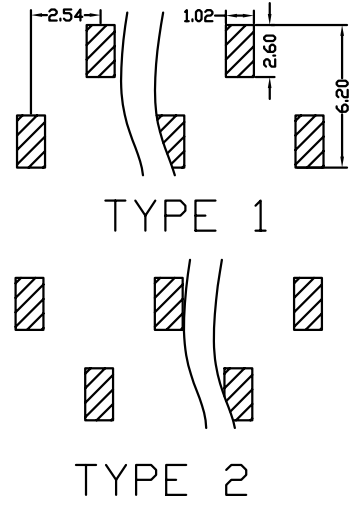
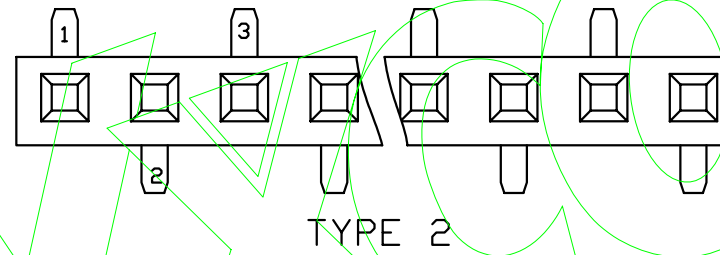
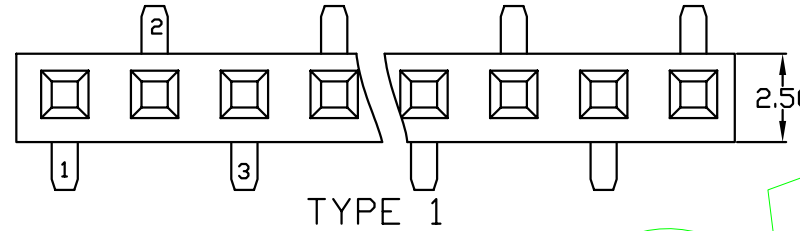
F157-11 XX XX X MY X X

NO. OF PINS
PER ROW
1~40P

Contact Plating
Full Of Gold
A0=0.8u"
A1=1u"
A2=1.5u"
A3=2u"
A4=3u"
A5=5u"
A6=10u"
A7=15u"
A8=20u"
A9=30u"
S1=Ordinary Tin Plated
S2=Matte Tin Plated
S3=Tin-plated High-temperature

INSULATOR MATERIAL:
B:PA6T
C:PA9T
D:LCP

PACKING
A:PE Bag
B:Tape & Reel
C:Tube
D:Tube+CAP
E:Tray



				OPERATION		SCALE		Fit		东莞市宇熙精密连接器有限公司 Dongguan Yuxi Electronic Co.,Ltd.	
				X.X	±0.25	UNIT		MM			
				X.XX	±0.20	SIZE	A4	DESIGN	卢小强	PART NO.	F157-11XXXXXMYXX
				X.XXX	±0.10	SHEET	1/1	CHECK		TITLE:	2.54mm单排母 塑高5.7 SMT Y型
REV	DATE	MODIFICATION DESCRIPTION		CHANGE	APPROVE	DIM	TOL	PROJ.	APPROVE	Customer No.	