

Specifications

备注 (Remark)

1. 材料 (MATERIAL)

胶芯: PA6T+30%G.F UL94V-0, 颜色: 黑色.

Housing: PA6T+30%G.F UL94V-0, Color: Black

端子: 磷/青铜, 镀底30u"MIN, 表面镀金1u"MIN

Contact: Phosphor bronze, 1u"MIN GOLD PLATING OVER ALL
30u" MIN NICKEL UNDERPLATING OVER ALL

2. 特性 (characteristics):

额定电流: 3 AMP

Rating Current: 3 AMP.

接触阻抗: 20 mΩ MAX.

Contact Resistance: 20 mΩ MAX.

绝缘阻抗: 1000 MΩ MIN.

Insulating Resistance: 1000 MΩ MIN.

耐电压: AC 500V.

Withstanding Voltage: AC 500V.

温度范围: -40°C to +105°C

Temperture Range: -40°C to +105°C

Ordering Information

F159-12 XX XX X MU X 1

NO. OF PINS
PER ROW
2-40P

Contact Plating
Full Of Gold

INSULATOR
MATERIAL:

PACKING
A: PE Bag

A0=0.8u"

B0=0.8U"

C: PA6T

B: Tape & Reel

A1=1u"

B1=1U"

D: LCP

C: Tube

A2=1.5u"

B2=1.5U"

D: LCP

D: Tube+CAP

A3=2u"

B3=2U"

D: LCP

E: Tray

A4=3u"

B4=3U"

D: LCP

E: Tray

A5=5u"

B5=5U"

D: LCP

E: Tray

A6=10u"

B6=10U"

D: LCP

E: Tray

A7=15u"

B7=15U"

D: LCP

E: Tray

A8=20u"

B8=20U"

D: LCP

E: Tray

A9=30u"

B9=30U"

D: LCP

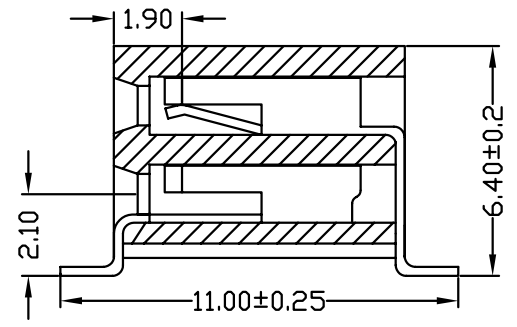
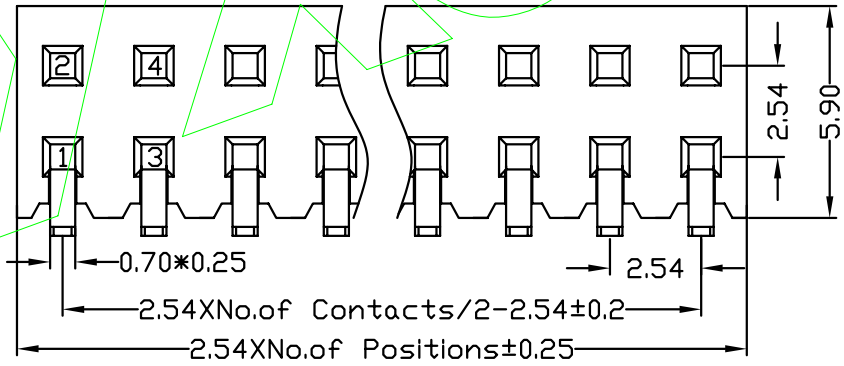
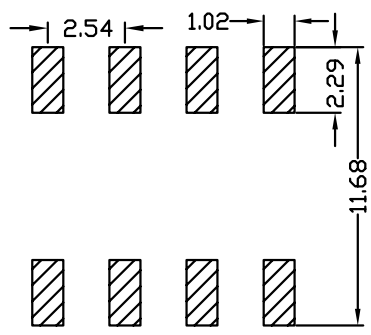
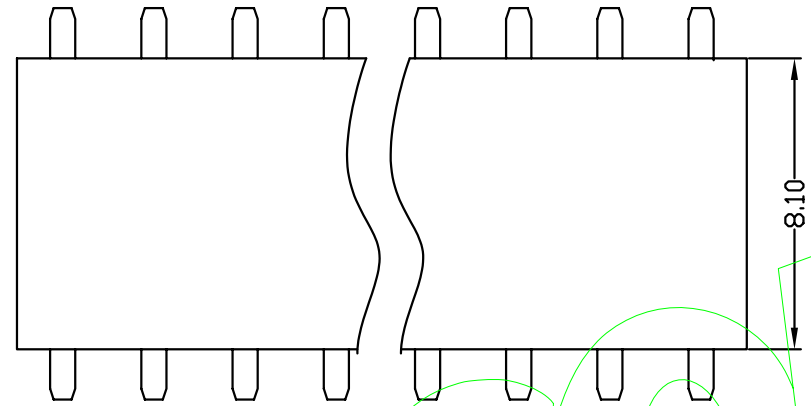
E: Tray

S1=Ordinary Tin Plated

S2=Matte Tin Plated

S3=Tin-plated High-temperature

A
B
C
D
E
F
G
H



				OPERATION		SCALE		Fit		东莞市宇熙精密连接器有限公司 Dongguan Yuxi Electronic Co., Ltd.			
				X.X	±0.40	UNIT		MM					
				X.XX	±0.25	SIZE	A4	DESIGN	卢小强			PART NO.	F159-12XXXXXMU1
				X.XXX	±0.15	SHEET	1/1	CHECK				TITLE:	2.54mm 双排母 塑高5.9 SMT U型 侧插
REV	DATE	MODIFICATION DESCRIPTION		CHANGE	APPROVE	DIM	TOL	PROJ.	APPROVE	Customer No.			

1 2 3 4 5 6 7 8 9 10