

# Specifications

备注 (Remark)

1. 材料 (MATERIAL)

胶芯: PA6T/PBT+30%G.F UL94V-0, 颜色: 黑色.

Housing: PA6T/PBT+30%G.F UL94V-0, Color: Black

端子: 磷/青铜, 镀底30u"MIN, 表面镀金1u"MIN

Contact: Phosphor bronze, 1u"MIN GOLD PLATING OVER ALL  
30u" MIN NICKEL UNDERPLATING OVER ALL

2. 特性 (characteristics):

额定电流: 3 AMP

Rating Current: 3 AMP.

接触阻抗: 20 mΩ MAX.

Contact Resistance: 20 mΩ MAX.

绝缘阻抗: 1000 MΩ MIN.

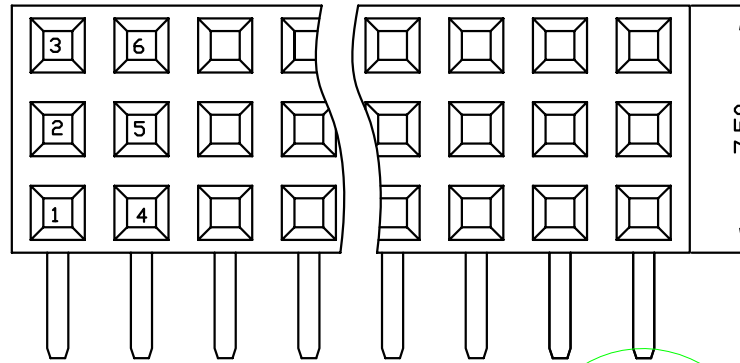
Insulating Resistance: 1000 MΩ MIN.

耐电压: AC 500V.

Withstanding Voltage: AC 500V.

温度范围: -40°C to +105°C

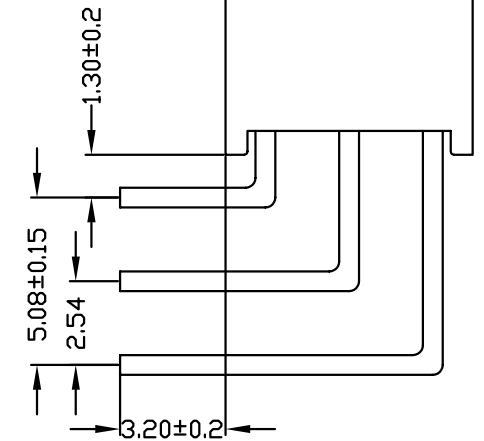
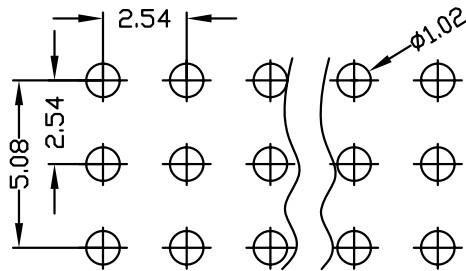
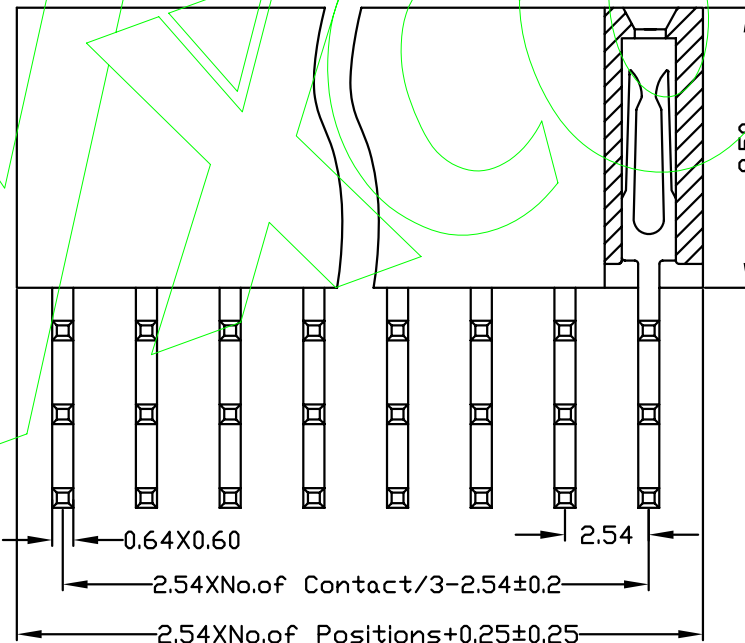
Temperature Range: -40°C to +105°C



# Ordering Information

F185-13 XX XX X RY X 1

NO. OF PINS PER ROW	Contact Plating	INSULATOR MATERIAL:	PACKING
3-40P	Full Of Gold	A: PBT	A: PE Bag
	A0=0.8u"	B: PA6T	B: Tape & Reel
	A1=1u"	C: PA9T	C: Tube
	A2=1.5u"	D: LCP	D: Tube+CAP
	A3=2u"		E: Tray
	A4=3u"		
	A5=5u"		
	A6=10u"		
	A7=15u"		
	A8=20u"		
	A9=30u"		
	S1=Ordinary Tin Plated		
	S2=Matte Tin Plated		
	S3=Tin-plated High-temperature		



REV	DATE	MODIFICATION DESCRIPTION	CHANGE	APPROVE	OPERATION		SCALE		Fit		Yxcon 东莞市宇熙精密连接器有限公司 Dongguan Yuxi Electronic Co., Ltd.	
					X.X	±0.25	UNIT	MM				
					X.XX	±0.20	SIZE	A4	DESIGN	卢小强	PART NO.	F185-13XXXXRYX1
					X.XXX	±0.10	SHEET	1/1	CHECK		TITLE:	2.54mm 排母 三排 塑高8.5 90度 Y型
					Angle	±3°	PROJ.	APPROVE			Customer No.	