

# Specifications

备注 (Remark)

1. 材料 (MATERIAL)

胶芯: PA6T/PBT+30%G.F UL94V-0, 颜色: 黑色.

Housing: PA6T/PBT+30%G.F UL94V-0, Color: Black

端子: 磷/青铜, 镀底30u"MIN, 表面镀金1u"MIN

Contact: Phosphor bronze, 1u"MIN GOLD PLATING OVER ALL  
30u" MIN NICKEL UNDERPLATING OVER ALL

2. 特性 (characteristics):

额定电流: 3 AMP

Rating Current: 3 AMP.

接触阻抗: 20 mΩ MAX.

Contact Resistance: 20 mΩ MAX.

绝缘阻抗: 1000 MΩ MIN.

Insulating Resistance: 1000 MΩ MIN.

耐电压: AC 500V.

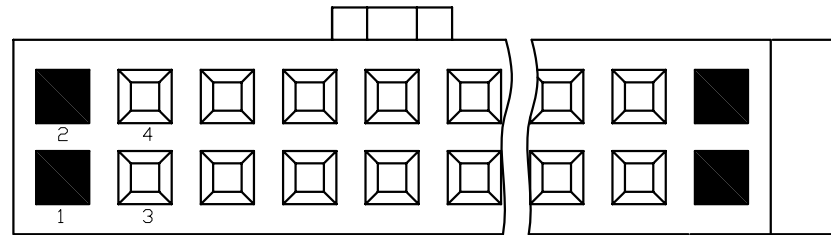
Withstanding Voltage: AC 500V.

温度范围: -40°C to +105°C

Temperture Range: -40°C to +105°C

# Ordering Information

F185-12 XX XX X SY X 3



NO. OF PINS  
PER ROW  
2~40P

Contact Plating  
Full Of Gold

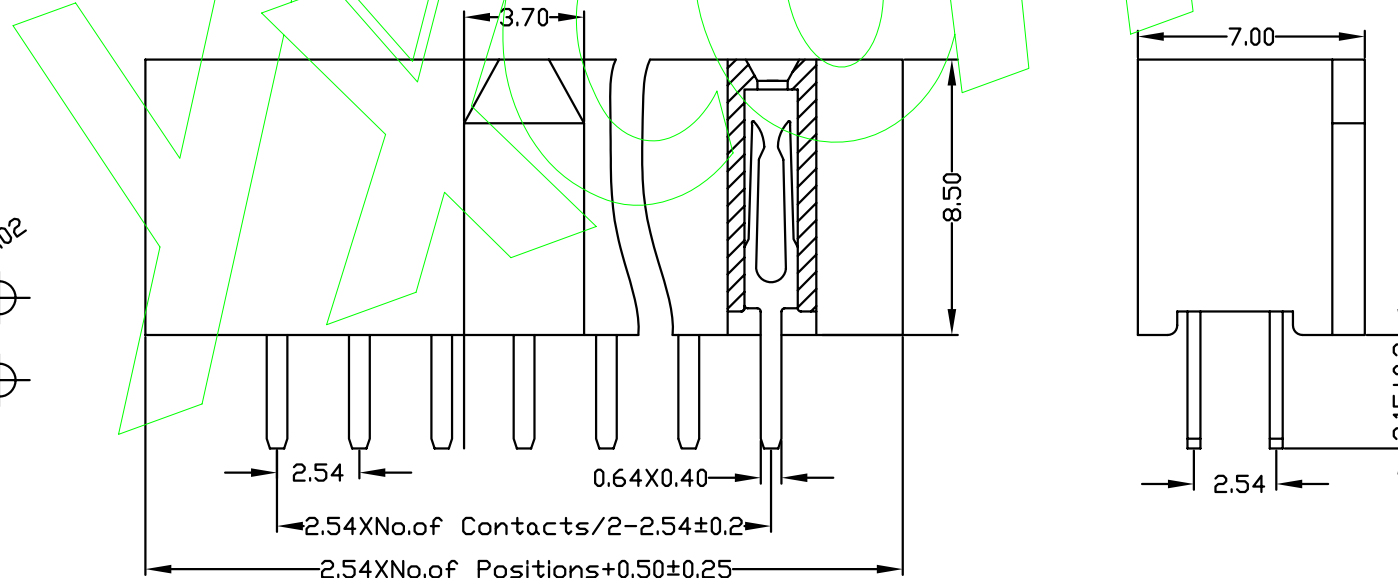
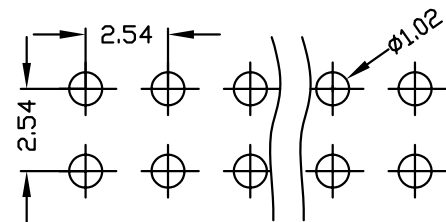
Semi-gold  
INSULATOR MATERIAL:

PACKING  
A: PE Bag  
B: Tape & Reel  
C: Tube  
D: Tube+CAP  
E: Tray

A0=0.8u"  
A1=1u"  
A2=1.5u"  
A3=2u"  
A4=3u"  
A5=5u"  
A6=10u"  
A7=15u"  
A8=20u"  
A9=30u"

B0=0.8U"  
B1=1U"  
B2=1.5U"  
B3=2U"  
B4=3U"  
B5=5U"  
B6=10U"  
B7=15U"  
B8=20U"  
B9=30U"

S1=Ordinary Tin Plated  
S2=Matte Tin Plated  
S3=Tin-plated High-temperature



				OPERATION		SCALE		Fit		东莞市宇熙精密连接器有限公司 Dongguan Yuxi Electronic Co.,Ltd.	
				X.X	±0.25	UNIT		MM			
				X.XX	±0.20	SIZE	A4	DESIGN	卢小强	PART NO.	F185-12XXXXXSYX3
				X.XXX	±0.10	SHEET	1/1	CHECK		TITLE:	2.54mm 双排母 塑高8.5 180度 带凸点 Y型
REV	DATE	MODIFICATION DESCRIPTION	CHANGE	APPROVE	Angle	±3°	PROJ.	APPROVE		Customer No.	
					DIM	TOL					