

Specifications

Ordering Information

F263-11 XX XX X RY X 1

备注 (Remark)

1. 材料 (MATERIAL)

胶芯: PA6T/PBT+30%G. F UL94V-0, 颜色: 黑色.

Housing: PA6T/PBT+30%G. F UL94V-0, Color: Black

端子: 磷/青铜, 镀底30u"MIN, 表面镀金1u"MIN

Contact: Phosphor bronze, 1u"MIN GOLD PLATING OVER ALL
30u" MIN NICKEL UNDERPLATING OVER ALL

2. 特性 (characteristics):

额定电流: 2 AMP

Rating Current: 2 AMP.

接触阻抗: 20 mΩ MAX.

Contact Resistance: 20 mΩ MAX.

绝缘阻抗: 1000 MΩ MIN.

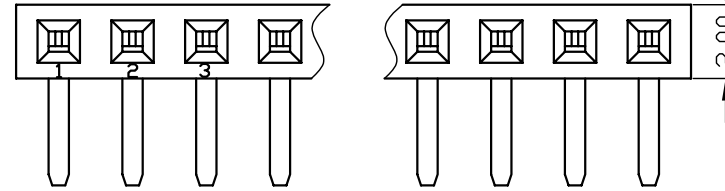
Insulating Resistance: 1000 MΩ MIN.

耐电压: AC 500V.

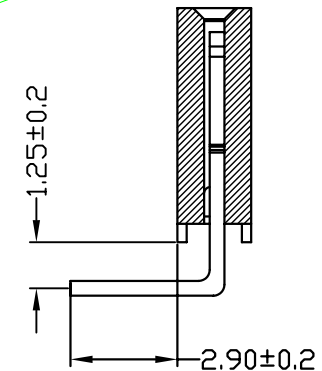
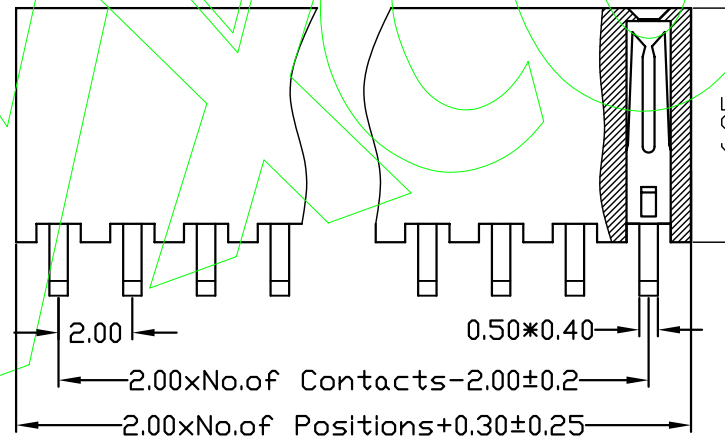
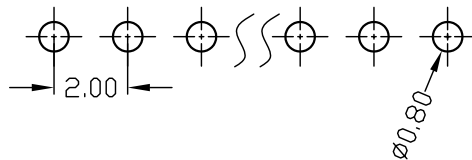
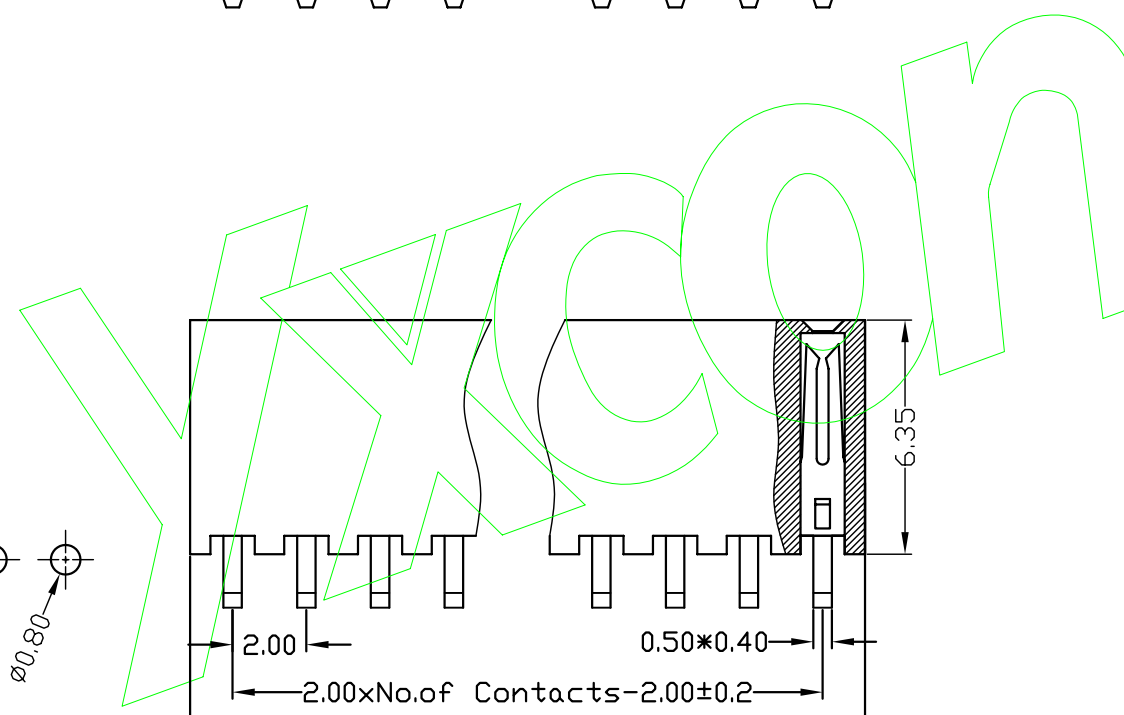
Withstanding Voltage: AC 500V.

温度范围: -40°C to +105°C

Temperature Range: -40°C to +105°C



NO. OF PINS PER ROW	Contact Plating	INSULATOR MATERIAL:	PACKING
1~40P	Full Of Gold	A: PBT	A: PE Bag
	Semi-gold	B: PA6T	B: Tape & Reel
		C: PA9T	C: Tube
		D: LCP	D: Tube+CAP
			E: Tray



REV	DATE	MODIFICATION DESCRIPTION	CHANGE	APPROVE	OPERATION	SCALE	Fit	Yxcon 东莞市宇熙精密连接器有限公司			
					X.X ±0.25	UNIT	MM	Dongguan Yuxi Electronic Co., Ltd.			
					X.XX ±0.20	SIZE	A4	DESIGN	卢小强	PART NO.	F263-11XXXXRYX1
					X.XXX ±0.10	SHEET	1/1	CHECK		TITLE:	2.0mm 单排母 塑高6.35 90度 Y型
					Angle ±3°	PROJ.	APPROVE			Customer No.	
					DIM TOL						