

Specifications

备注 (Remark)

1. 材料 (MATERIAL)

胶芯: PA6T+30%G.F UL94V-0, 颜色: 黑色.

Housing: PA6T+30%G.F UL94V-0, Color: Black

四方针: 黄铜, 镀底30u"MIN, 表面镀金0.8u"MIN

Contact: Brass, 0.8u"MIN GOLD PLATING OVER ALL
30u" MIN NICKEL UNDERPLATING OVER ALL

2. 特性 (characteristics):

额定电流: 1 AMP

Rating Current: 1 AMP.

接触阻抗: 20 mΩ MAX.

Contact Resistance: 20 mΩ MAX.

绝缘阻抗: 1000 MΩ MIN.

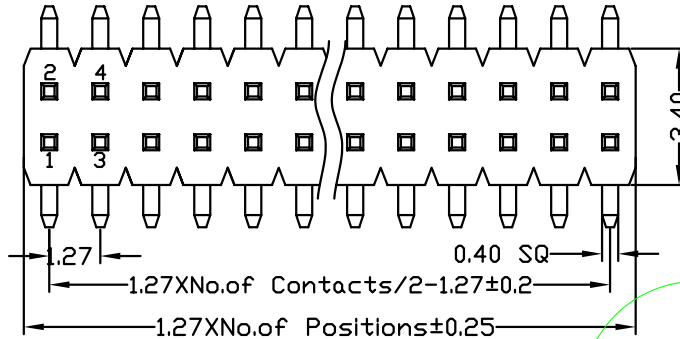
Insulating Resistance: 1000 MΩ MIN.

耐电压: AC 500V.

Withstanding Voltage: AC 500V.

温度范围: -40°C to+105°C

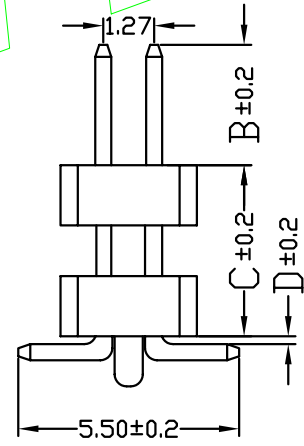
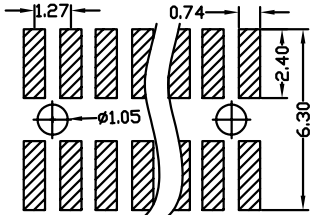
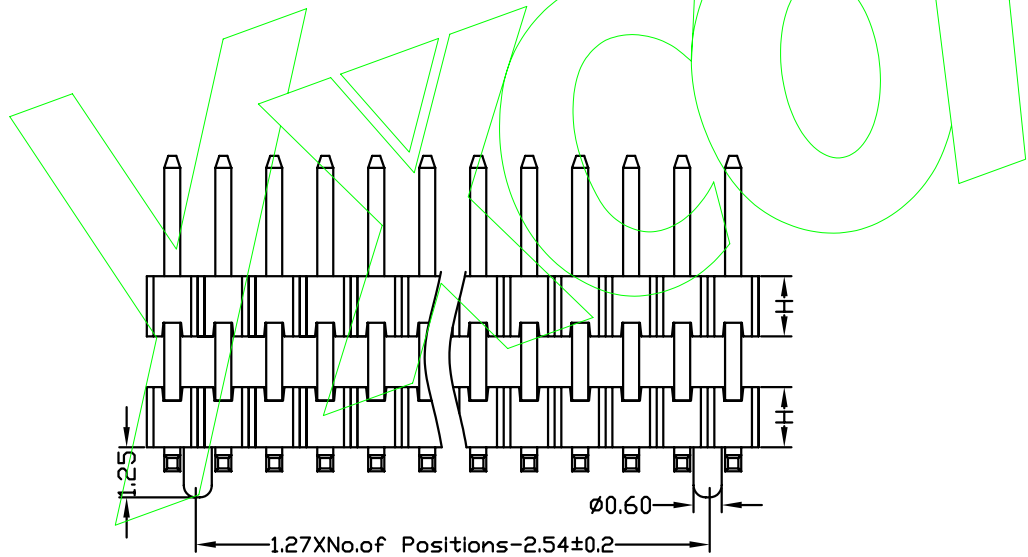
Temperature Range: -40°C to+105°C



Ordering Information

P3XX-22 XX XX X M XXX X 2

HEIGHT OF HOUSING	NO. OF PINS PER ROW	Contact Plating		INSULATOR MATERIAL: OF	LENGTH OF TERMINAL	PACKING
		Full Of Gold	Semi-gold			
08:0.8mm	2-50P	A0=0.8u"	B0=0.8U"	B:PA6T		A:PE Bag
10:1.0mm		A1=1u"	B1=1U"	C:PA9T		B:Tape & Reel
15:1.5mm		A2=1.5u"	B2=1.5U"	D:LCP		C:Tube
		A3=2u"	B3=2U"			D:Tube+CAP
		A4=3u"	B4=3U"			E:Tray
		A5=5u"	B5=5U"			
		A6=10u"	B6=10U"			
		A7=15u"	B7=15U"			
		A8=20u"	B8=20U"			
		A9=30u"	B9=30U"			
		S1=Ordinary Tin Plated				
		S2=Matte Tin Plated				
		S3=Tin-plated High-temperature				



ITEM	D		B		H		C	
Standard	0	1.2	1.8	3.0	4.0	0.8	1.0	1.5
Alternate								

REV	DATE	MODIFICATION DESCRIPTION	CHANGE	APPROVE	OPERATION		SCALE		Fit	东莞市宇熙精密连接器有限公司 Dongguan Yuxi Electronic Co.,Ltd.	PART NO.	P3XX-22XXXXXX2	
					X.X	±0.25	UNIT		MM				
					X.XX	±0.20	SIZE	A4	DESIGN				卢小强
					X.XXX	±0.10	SHEET	1/1	CHECK				
					Angle	±3°	PROJ.	APPROVE		TITLE:	1.27mm 排针 双排 双塑 SMT 带柱		
					DIM	TOL				Customer No.			