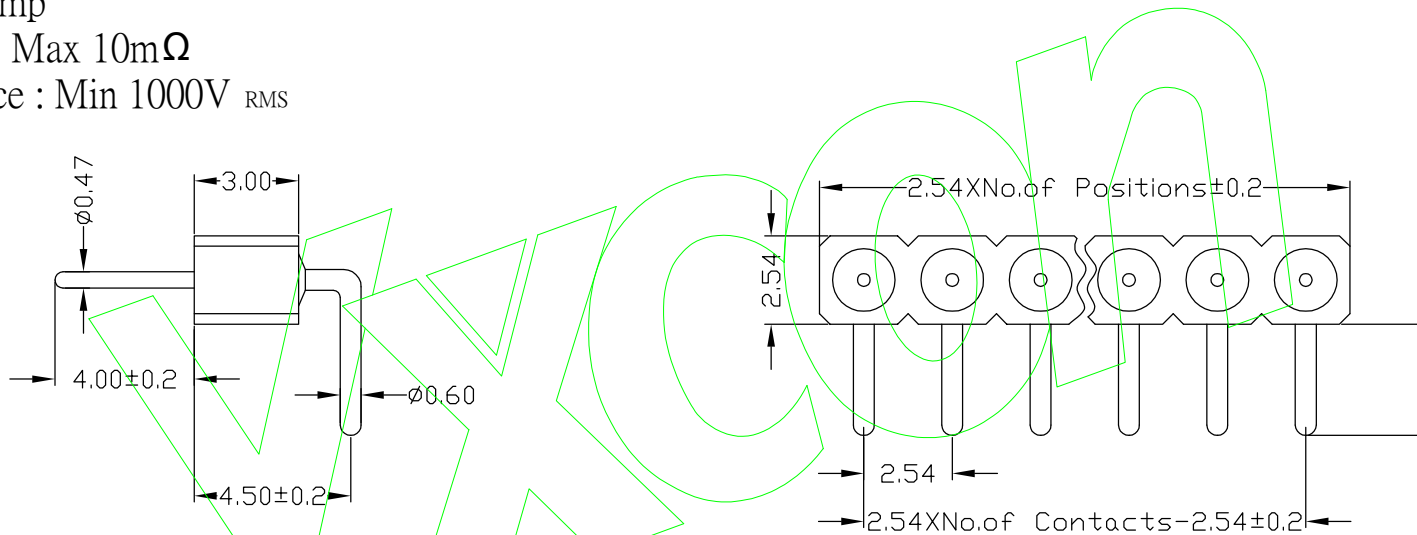
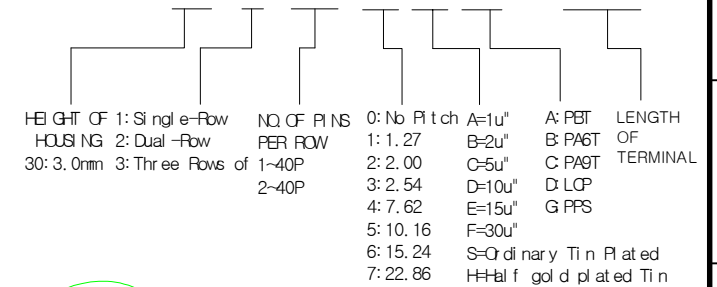


Specifications

Insulator : Black glass filled polyester PPS-GF30-FR
 Flammability : UL94V-0
 Sleeve : Brass CuZn 36Pb3(36000)
 Mating pin \varnothing : 0.47 mm
 Mechanical life : min 500 cycles
 Rated current : 3Amp
 Contact resistance: Max 10m Ω
 Dielectric resistance : Min 1000V_{RMS}

Ordering Information

RP130-1 XX 0 X X R XXX 1



Right angle pin connector: solder tail, single row
 Availability from: 2 to 40 contacts
 Standard number of contacts 20, 25, 32 and 40

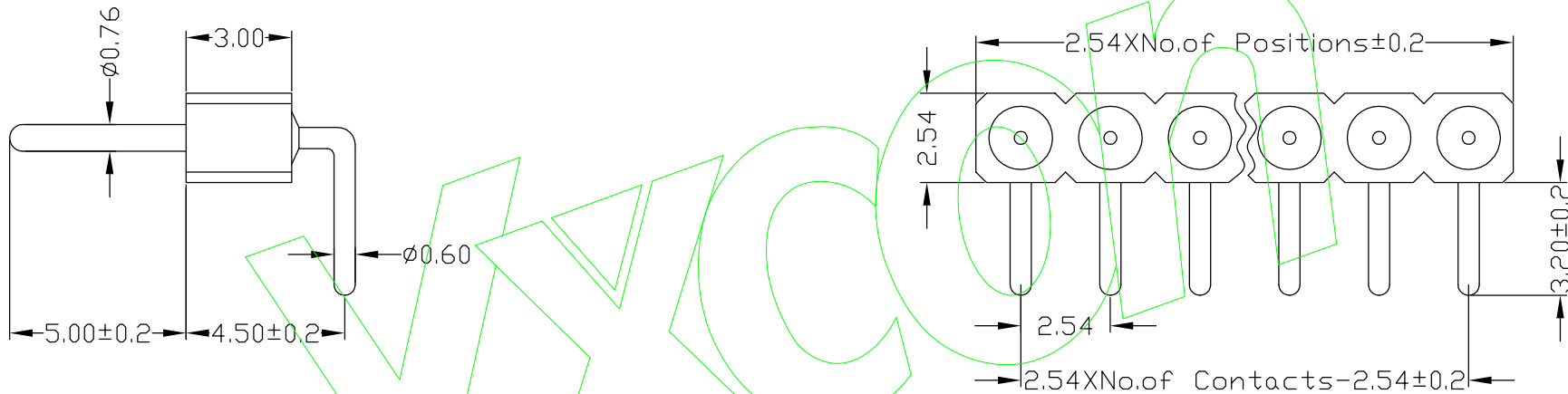
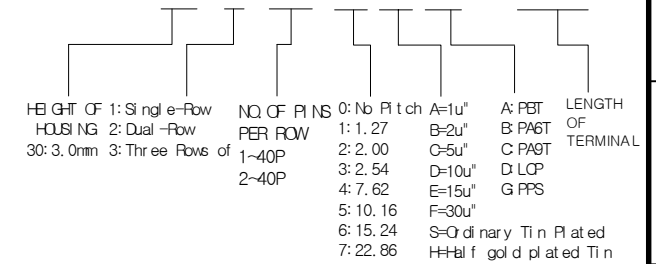
				OPERATION		SCALE		Fit		东莞市宇熙精密连接器有限公司 www.yxcon.com Dongguan Yuxi Electronic Co., Ltd.	
				X.X	±0.25	UNIT		MM			
				X.XX	±0.20	SIZE	A4	DESIGN	周芳杰 2021.9.2	PART NO.	RP130-1XX0XXRXXX1
				X.XXX	±0.10	SHEET	1/1	CHECK		TITLE:	2.54圆孔排针 塑高3.0 单排 90度
				Angle	±3°	PROJ.	☉	APPROVE		Customer No.	
REV	DATE	SYMBOL	MODIFICATION DESCRIPTION								

Specifications

Insulator : Black glass filled polyester PPS-GF30-FR
 Flammability : UL94V-0
 Sleeve : Brass CuZn 36Pb3(36000)
 Mating pin ϕ : 0.76 mm
 Mechanical life : min 500 cycles
 Rated current : 3Amp
 Contact resistance: Max 10m Ω
 Dielectric resistance : Min 1000V_{RMS}

Ordering Information

RP130-1 XX 0 X X R XXX 2



Right angle pin connector: solder tail,
 single row
 Availability from: 2 to 40 contacts
 Standard number of contacts 20, 25,
 32 and 40

				OPERATION		SCALE		Fit		东莞市宇熙精密连接器有限公司 www.yxcon.com Dongguan Yuxi Electronic Co., Ltd.	
				X.X	± 0.25	UNIT		MM			
				X.XX	± 0.20	SIZE	A4	DESIGN	周芳杰 2021.9.2	PART NO.	RP130-1XX0XXRXXX2
				X.XXX	± 0.10	SHEET	1/1	CHECK		TITLE:	2.54圆孔排针 塑高3.0 排针 90度
REV	DATE	SYMBOL	MODIFICATION DESCRIPTION		Angle	$\pm 3^\circ$	PROJ.		APPROVE	Customer No.	
					DIM	TOL					

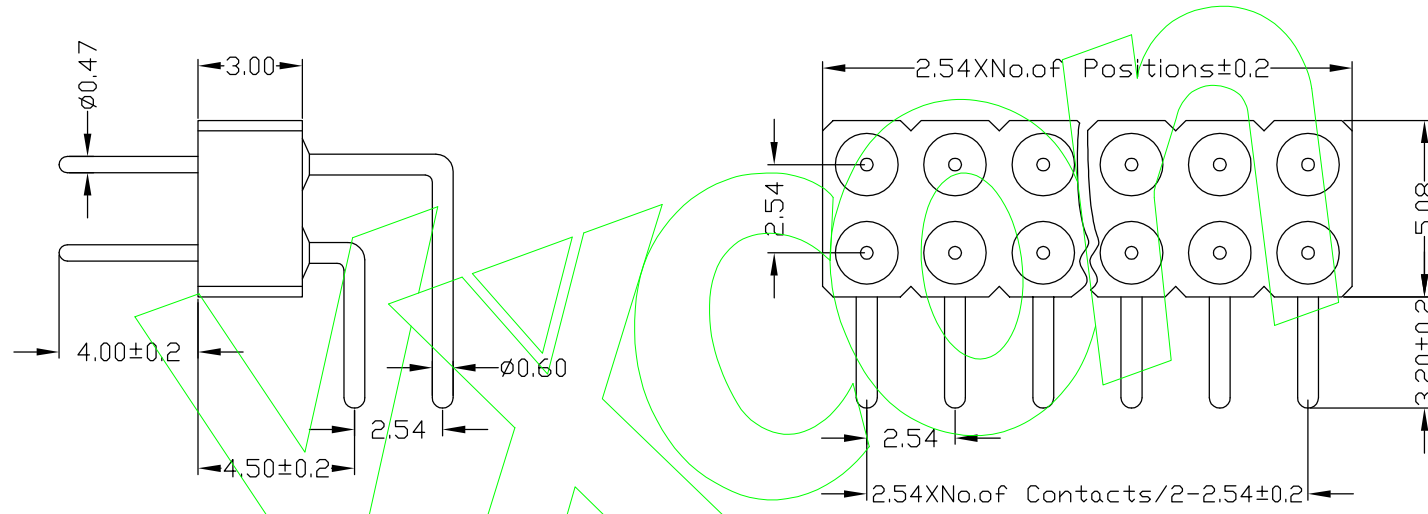
Specifications

Insulator : Black glass filled polyester PPS-GF30-FR
 Flammability : UL94V-0
 Sleeve : Brass CuZn 36Pb3(36000)
 Mating pin \varnothing : 0.47 mm
 Mechanical life : min 500 cycles
 Rated current : 3Amp
 Contact resistance: Max 10m Ω
 Dielectric resistance : Min 1000V_{RMS}

Ordering Information

RP130-2 XX 3 X X R XXX 3

HEIGHT OF HOUSING	1: Single-Row	NO. OF PINS PER ROW	0: No Pitch	A=1u"	A: PBT	LENGTH OF TERMINAL
2: 3.0mm	2: Dual-Row	1-40P	1: 1.27	B=2u"	B: PA6T	
	3: Three Rows of	2-40P	2: 2.00	C=5u"	C: PA6T	
			3: 2.54	D=10u"	D: LCP	
			4: 7.62	E=15u"	G: PPS	
			5: 10.16	F=30u"	S: Ordinary Tin Plated	
			6: 15.24		H: Half gold plated Tin	
			7: 22.86			



Right angle pin connector: solder tail,
 double row
 Availability from: 4 to 80 contacts
 Standard number of contacts 20, 40,
 56, 60 and 72

				OPERATION		SCALE		Fit		东莞市宇熙精密连接器有限公司 www.yxcon.com Dongguan Yuxi Electronic Co., Ltd.	
				X.X	±0.25	UNIT		MM			
				X.XX	±0.20	SIZE	A4	DESIGN	周芳杰 2021.9.2	PART NO.	RP130-2XX3XXRXXX3
				X.XXX	±0.10	SHEET	1/1	CHECK		TITLE	2.54圆孔排针 塑高3.0 双排 90度
				Angle	±3°	PROJ.	☉	APPROVE		Customer No.	
REV	DATE	SYMBOL	MODIFICATION DESCRIPTION								

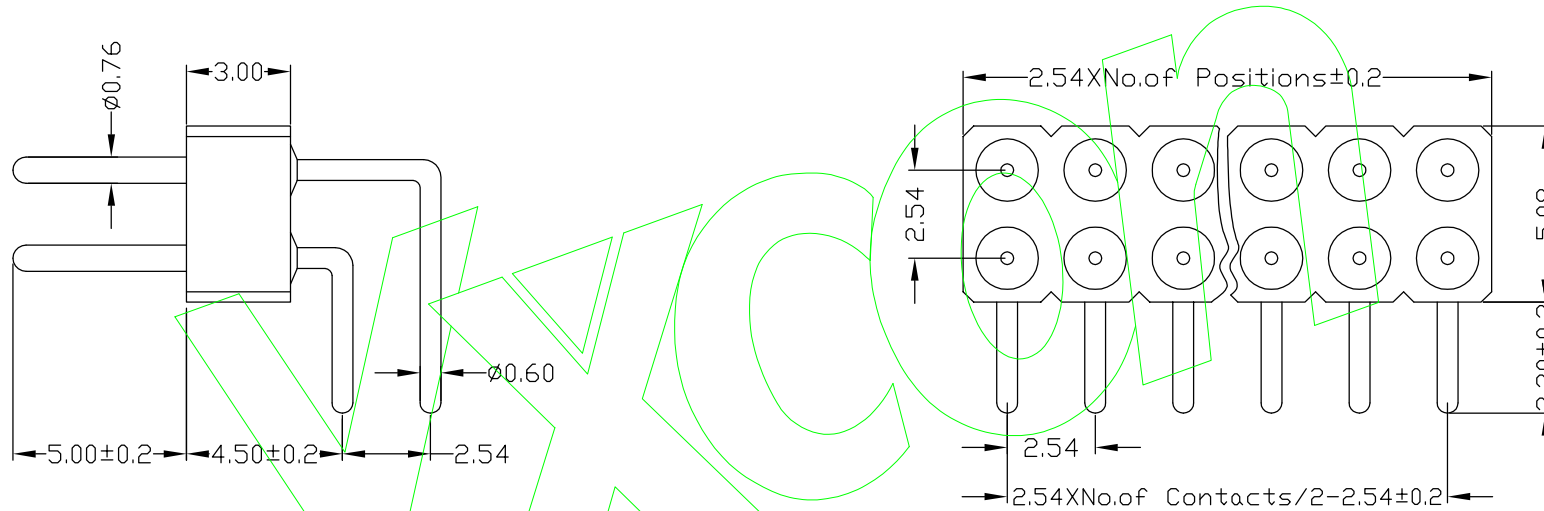
Specifications

Insulator : Black glass filled polyester PPS-GF30-FR
 Flammability : UL94V-0
 Sleeve : Brass CuZn 36Pb3(36000)
 Mating pin \varnothing : 0.76 mm
 Mechanical life : min 500 cycles
 Rated current : 3Amp
 Contact resistance: Max 10m Ω
 Dielectric resistance : Min 1000V_{RMS}

Ordering Information

RP130-2 XX 3 X X R XXX 4

HEIGHT OF HOUSING	1: Single-Row	NO. OF PINS PER ROW	0: No Pitch	A=1u"	A: PBT	LENGTH OF TERMINAL
2: Dual-Row	1~40P	1: 1.27	B=2u"	B: PA6T		
3: 3.0mm	2~40P	2: 2.00	C=5u"	C: PA9T		
		3: 2.54	D=10u"	D: LCP		
		4: 7.62	E=15u"	G: PPS		
		5: 10.16	F=30u"			
		6: 15.24	S=Ordinary Tin Plated			
		7: 22.86	H=Hal gold plated Tin			



Right angle pin connector: solder tail,
 double row
 Availability from: 4 to 80 contacts
 Standard number of contacts 20, 40,
 56, 60 and 72

				OPERATION		SCALE		Fit		东莞市宇熙精密连接器有限公司 www.yxcon.com Dongguan Yuxi Electronic Co., Ltd.	
				X.X	±0.25	UNIT		MM			
				X.XX	±0.20	SIZE	A4	DESIGN	周芳杰 2021.9.2	PART NO.	RP130-2XX3XXRXXX4
				X.XXX	±0.10	SHEET	1/1	CHECK		TITLE	2.54圆孔排针 塑高3.0 双排 90度
				Angle	±3°	PROJ.	☉	APPROVE		Customer No.	
REV	DATE	SYMBOL	MODIFICATION DESCRIPTION								