

Specifications

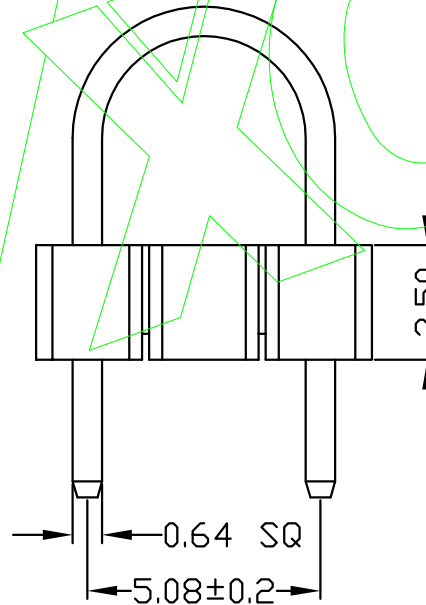
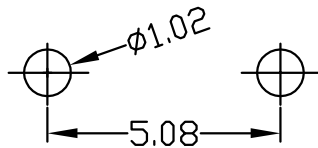
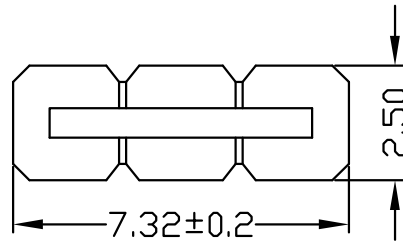
备注 (Remark)

1. 材料 (MATERIAL)

胶芯: PA6T+30%G.F UL94V-0, 颜色: 黑色.
 Housing: PA6T+30%G.F UL94V-0, Color: Black
 四方针: 黄铜, 镍底30u~MIN, 表面镀金0.8u~MIN
 Contact: Brass, 0.8u~MIN GOLD PLATING OVER ALL
 30u~MIN NICKEL UNDERPLATING OVER ALL

2. 特性 (characteristics):

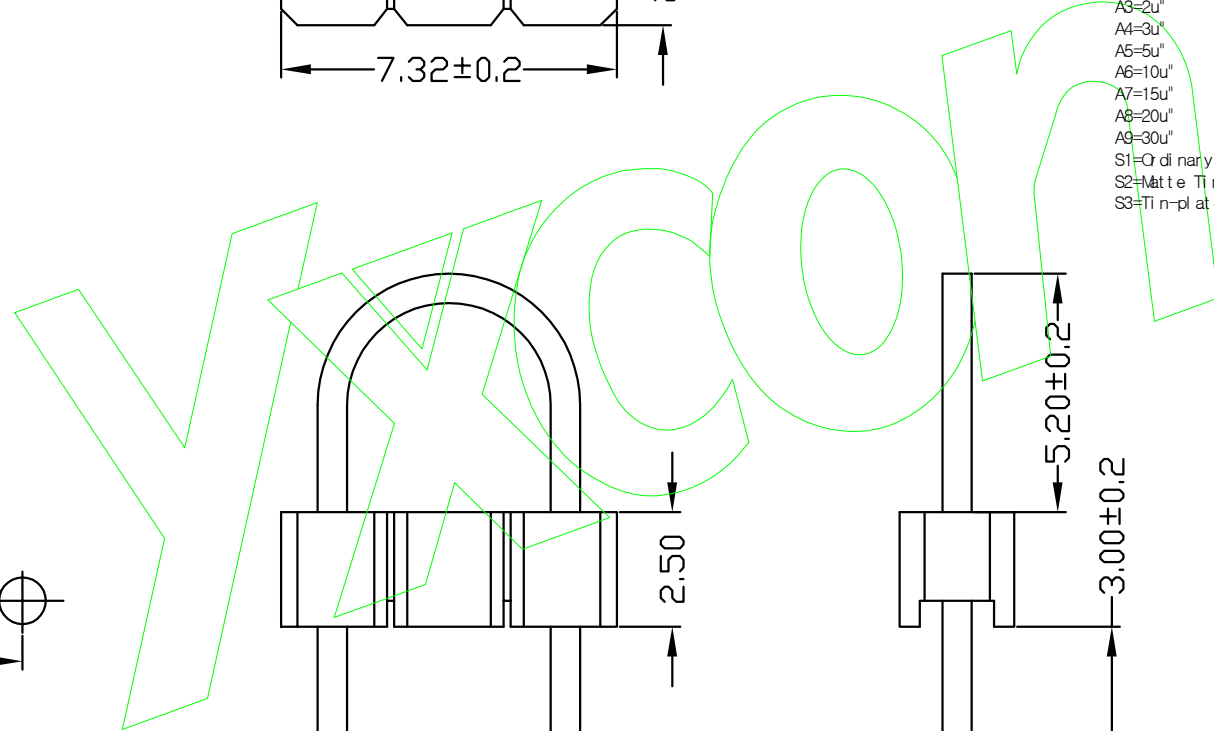
额定电流: 3 AMP
 Rating Current: 3 AMP.
 接触阻抗: 20 mΩ MAX.
 Contact Resistance: 20mΩ MAX.
 绝缘阻抗: 1000 MΩ MIN.
 Insulating Resistance: 1000 MΩ MIN.
 耐电压: AC 500V/分钟.
 Withstanding Voltage: AC 500V/Minute.
 温度范围: -40° C to +105° C
 Temperature Range: -40° C to +105° C



Ordering Information

P125-11 03 XX X U 242 X 1

HEIGHT OF HOUSING	NO. OF PINS PER ROW	Contact Plating	INSULATOR MATERIAL	LENGTH OF TERMINAL	PACKING
25: 2.50mm	1~40P	Full of Gold A0=0.8u" A1=1u" A2=1.5u" A3=2u" A4=3u" A5=5u" A6=10u" A7=15u" A8=20u" A9=30u"	Semi-gold B0=0.8U" B1=1U" B2=1.5U" B3=2U" B4=3U" B5=5U" B6=10U" B7=15U" B8=20U" B9=30U"	A: PBT B: PA6T C: PA9T D: LCP	A: PE Bag B: Tape & Reel C: Tube D: Tube+CAP E: Tray
		S1=Ordinary Tin Plated S2=Matte Tin Plated S3=Tin-plated High-temperature			



			OPERATION	SCALE	Fit	东莞市宇熙精密连接器有限公司 www.yxcon.com Dongguan Yuxi Electronic Co., Ltd.			
			X.X ±0.25	UNIT	MM				
			X.XX ±0.20	SIZE	A4	DESIGN	周芳杰 2021.6.19	PART NO	P125-1103XXU242X1
			X.XXX ±0.10	SHEET	1/1	CHECK		TITLE	2.54间距 塑高2.5 单排针 单塑 1*3P U型 L=24.2
			Angle ±3°	PROJ.	☉	APPROVE		Customer No.	
REV	DATE	SYMBOL	MODIFICATION DESCRIPTION						
1									

Specifications

备注 (Remark)

1. 材料 (MATERIAL)

胶芯: PA6T+30%G.F UL94V-0, 颜色: 黑色.

Housing: PA6T+30%G.F UL94V-0, Color: Black

四方针: 黄铜, 镍底30u"MIN, 表面镀金0.8u"MIN

Contact: Brass, 0.8u"MIN GOLD PLATING OVER ALL
30u" MIN NICKEL UNDERPLATING OVER ALL

2. 特性 (characteristics):

额定电流: 3 AMP

Rating Current: 3 AMP.

接触阻抗: 20 mΩ MAX.

Contact Resistance: 20mΩ MAX.

绝缘阻抗: 1000 MΩ MIN.

Insulating Resistance: 1000 MΩ MIN.

耐电压: AC 500V/分钟.

Withstanding Voltage: AC 500V/Minute.

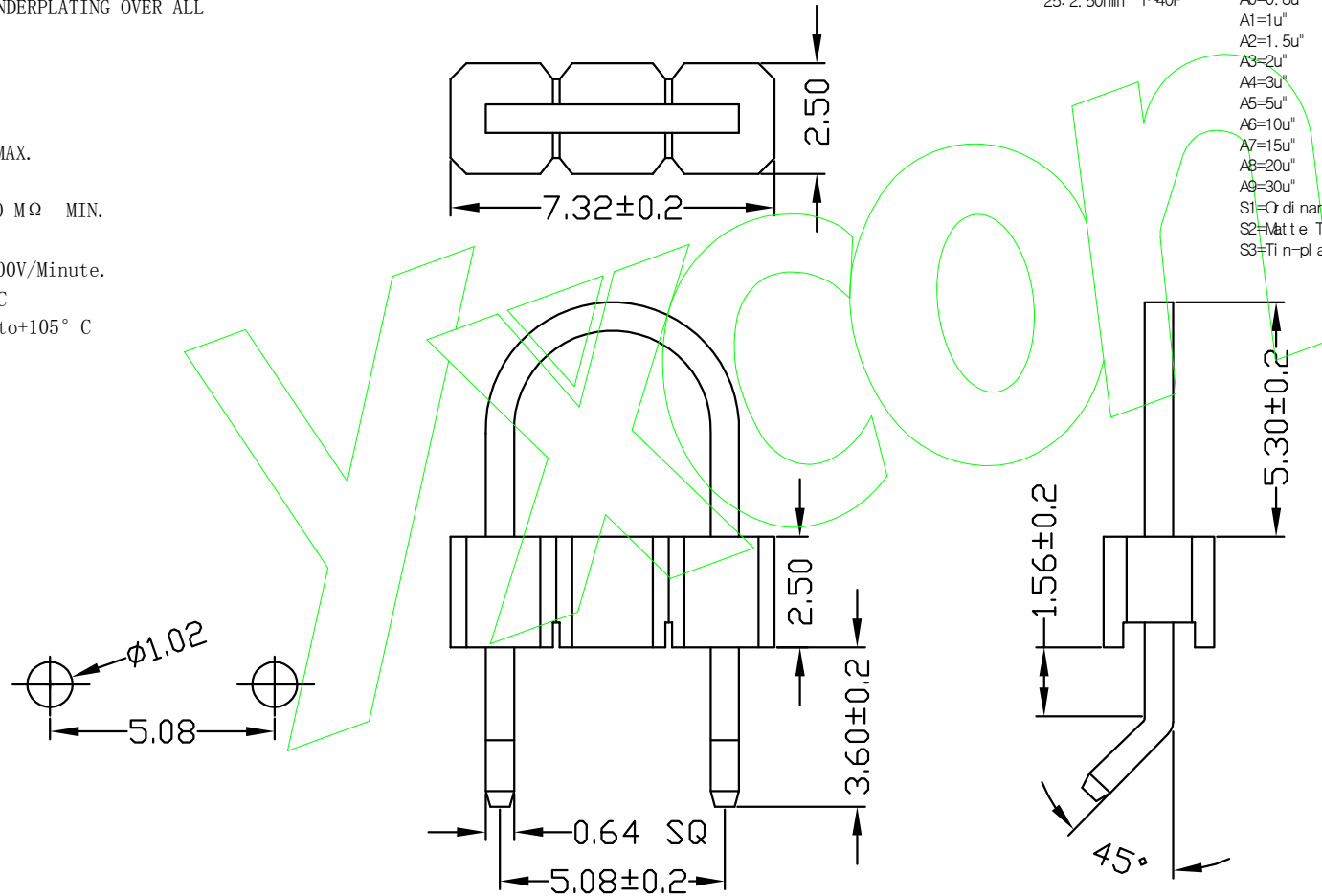
温度范围: -40° C to +105° C

Temperature Range: -40° C to +105° C

Ordering Information

P125-11 03 XX X U 252 X 1

HEIGHT OF HOUSING	NO. OF PINS PER ROW	Full Contact	Serial Gold	INSULATOR MATERIAL	LENGTH OF TERMINAL	PACKING
25: 2.50mm	1-40P	A0=0.8u" A1=1u" A2=1.5u" A3=2u" A4=3u" A5=5u" A6=10u" A7=15u" A8=20u" A9=30u"	B0=0.8U" B1=1U" B2=1.5U" B3=2U" B4=3U" B5=5U" B6=10U" B7=15U" B8=20U" B9=30U"	A: PBT B: PA6T C: PA9T D: LCP	A: PE Bag B: Tube C: Tube+CAP E: Tray	
		S1=O dinary Tin Plated S2=Matte Tin Plated S3=Tin-plated High-temperature				



			OPERATION		SCALE		Fit		东莞市宇熙精密连接器有限公司 www.yxcon.com Dongguan Yuxi Electronic Co., Ltd.	
			X.X	±0.25	UNIT		MM			
			X.XX	±0.20	SIZE	A4	DESIGN	周芳杰 2021.6.19	PART NO	P125-1103XXXU252X1
			X.XXX	±0.10	SHEET	1/1	CHECK		TITLE	2.54间距 塑高2.5 单排针 单塑 1*3P U型 L=25.2
REV	DATE	SYMBOL	MODIFICATION DESCRIPTION			PROJ.	APPROVE		Customer No.	

Specifications

备注 (Remark)

1. 材料 (MATERIAL)

胶芯: PA6T+30%G.F UL94V-0, 颜色: 黑色.

Housing: PA6T+30%G.F UL94V-0, Color: Black

四方针: 黄铜, 镍底30u"MIN, 表面镀金0.8u"MIN

Contact: Brass, 0.8u"MIN GOLD PLATING OVER ALL
30u" MIN NICKEL UNDERPLATING OVER ALL

2. 特性 (characteristics):

额定电流: 3 AMP

Rating Current: 3 AMP.

接触阻抗: 20 mΩ MAX.

Contact Resistance: 20mΩ MAX.

绝缘阻抗: 1000 MΩ MIN.

Insulating Resistance: 1000 MΩ MIN.

耐电压: AC 500V/分钟.

Withstanding Voltage: AC 500V/Minute.

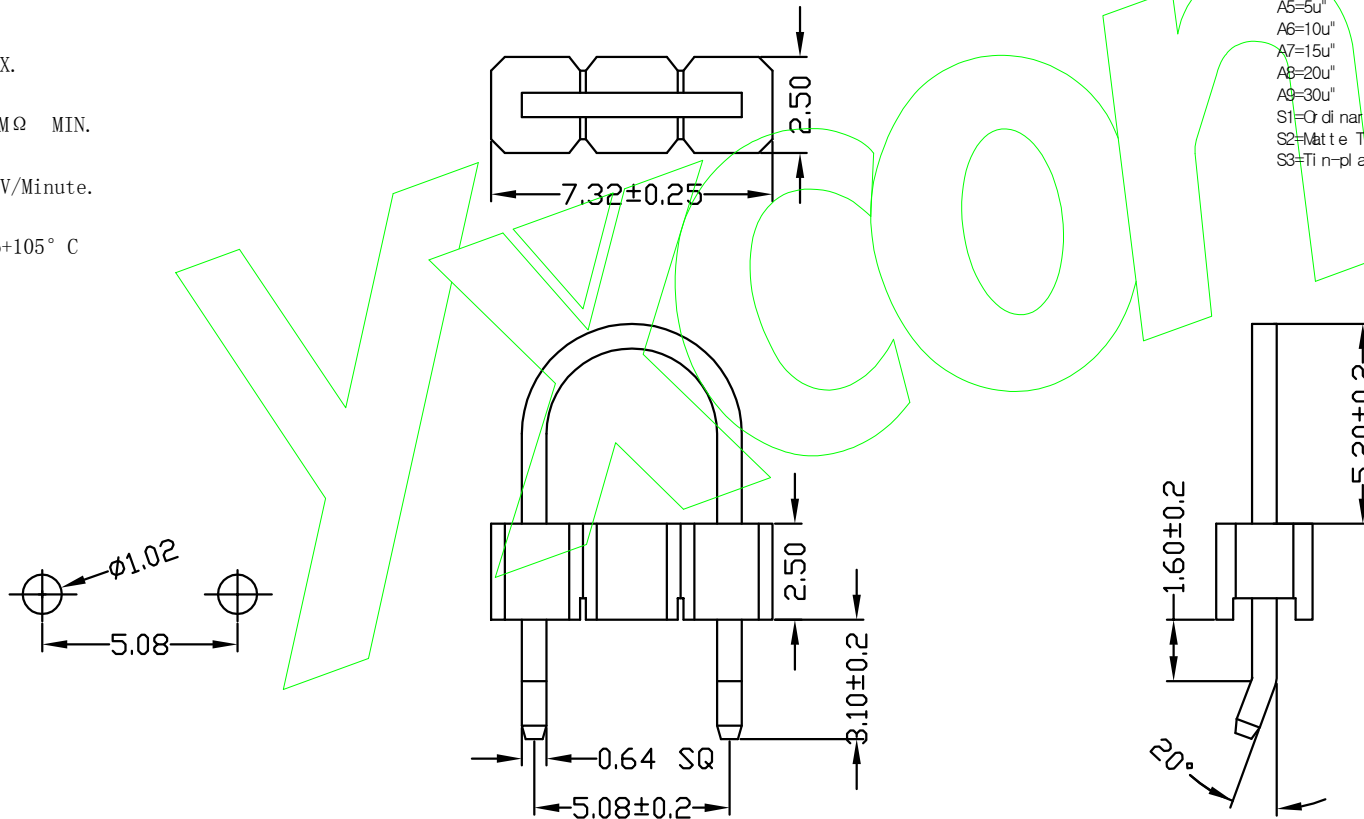
温度范围: -40° C to +105° C

Temperature Range: -40° C to +105° C

Ordering Information

P125-11 03 XX X U 253 X 1

HEIGHT OF HOUSING	NO. OF PINS PER ROW	Contact Full Cr Gold	Plating Semi-gold	INSULATOR MATERIAL:	LENGTH OF TERMINAL	PACKING
25: 2.50mm	1~40P	A0=0.8u" A1=1u" A2=1.5u" A3=2u" A4=3u" A5=5u" A6=10u" A7=15u" A8=20u" A9=30u"	B0=0.8U" B1=1U" B2=1.5U" B3=2U" B4=3U" B5=5U" B6=10U" B7=15U" B8=20U" B9=30U"	A: PBT B: PA6T C: PA9T D: LCP		A: PE Bag B: Tape & Reel C: Tube D: Tube+CAP E: Tray
		S1=Ordinary Tin Plated S2=Matte Tin Plated S3=Tin-plated High-temperature				



REV	DATE	SYMBOL	MODIFICATION DESCRIPTION	OPERATION		SCALE		Fit		Yxcon 东莞市宇熙精密连接器有限公司	
				X.X	±0.25	UNIT		MM	www.yxcon.com Dongguan Yuxi Electronic Co.,Ltd.		
				X.XX	±0.20	SIZE	A4	DESIGN	周芳杰 2021.6.19	PART NO	P125-1103XXXXU253X1
				X.XXX	±0.10	SHEET	1/1	CHECK		TITLE	2.54间距 塑高2.5 单排针 单塑 1*3P U型 L=25.3
				Angle	±3°	PROJ.	☉	APPROVE		Customer No.	
				DIM	TOL						