

Specifications

Wafer

備注 (Remark)

1. 材料 (Material)

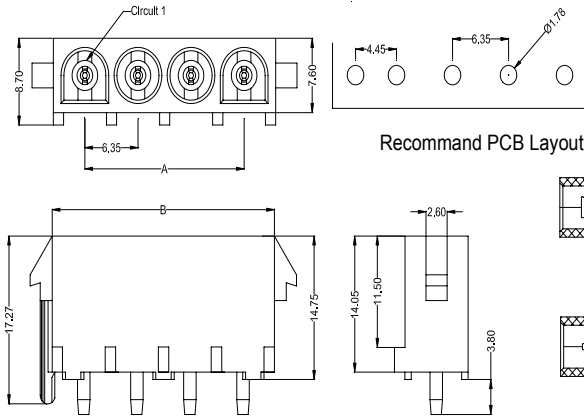
膠芯: PA66 UL94V-0/2

Housing: PA66 UL94V-0/2

端子: 黃銅

Contact: Brass

9635WVX-XXS-XXSN



9635WVX-XXS-XXSN

PART NO	Material	Material(Pin)	Finish(Pin)	Mates With SWB Housing	Note	Qty/Bag
9635WVM-XXS-N2SN	Nylon 66 UL 94V-2	Brass	Tin-Plated	9635H	TYPE 2	1,000Pcs
9635WVM-XXS-N0SN	Nylon 66 UL 94V-0				TYPE 1	
9635WVF-XXS-N2SN	Nylon 66 UL 94V-2					
9635WVF-XXS-N0SN	Nylon 66 UL 94V-0					

Poles	Dimensions (mm)	
	A	B
2	6.35	13.97
3	12.70	20.32
4	19.05	26.67
5	25.40	33.02
6	31.75	39.37
7	38.10	45.72
8	44.45	52.07
9	50.80	58.42
10	57.15	64.77

Wafer

備注 (Remark)

1. 材料 (Material)

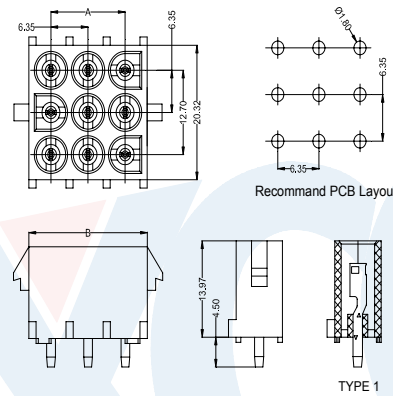
膠芯: PA66 UL94V-0/2

Housing: PA66 UL94V-0/2

端子: 黃銅

Contact: Brass

9635WVX-3*XX-XXSN



9635WVX-3*XX-XXSN

PART NO	Material	Material(Pin)	Finish(Pin)	Mates With SWB Housing	Note	Qty/Bag
9635WVM-3*XX-N2SN	Nylon 66 UL 94V-2	Brass	Tin-Plated	9635H	TYPE 2	1,000Pcs
9635WVM-3*XX-N0SN	Nylon 66 UL 94V-0				TYPE 1	
9635WVF-3*XX-N2SN	Nylon 66 UL 94V-2					
9635WVF-3*XX-N0SN	Nylon 66 UL 94V-0					

W

WAFER

Terminal

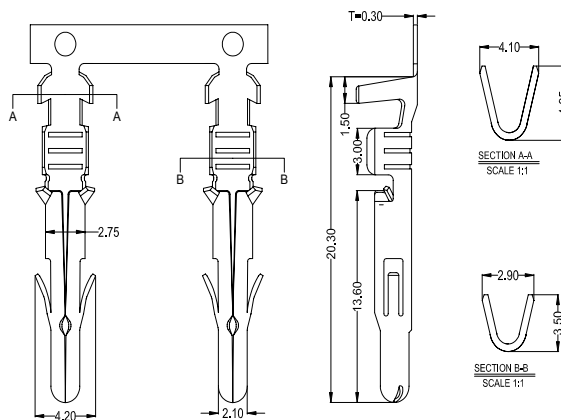
備注 (Remark)

1. 材料 (Material)

端子: 黃銅

Contact: Brass

9635TM-BSNB



9635TM-BSNB

9635TM-BSNB	Brass	AWG#14-20	3.30mm(Max)	Plating Before Stamping: 10-30u" Ni; 40-60u" Sn	9635HF	5,000Pcs
9635TM-BSN				Stamping Before Plating: 30-50u" Ni; 70-120u" Sn		
PART NO	Material	Wire Range	Insulation O.D.	Finish	Used In SWB Housing	Q' ty/Relf