

Specifications

Wafer

備注 (Remark)

1. 材料 (Material)

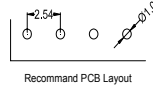
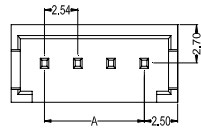
膠芯: PBT UL94V-0

Housing: PBT UL94V-0

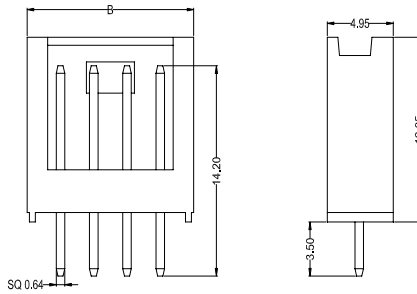
端子: 黃銅

Contact: Brass

2530WV-XX-PTXX



2530WV-XX-PTXX



2530WV-XX-PTV01	PBT UL 94V-0	Brass	Gold-Flash	2530H	1,000Pcs
2530WV-XX-PTS0N	PBT UL 94V-0	Brass	Tin-Plated		
PART NO	Material	Material(Pin)	Finish(Pin)	Mates With SWB Housing	Q' ty/Bag

Poles	Dimensions (mm)		Poles	Dimensions (mm)	
	A	B		A	B
2	2.54	7.70	12	27.94	33.10
3	5.08	10.20	13	30.48	35.60
4	7.62	12.70	14	33.02	38.10
5	10.16	15.20	15	35.56	40.70
6	12.70	17.80	16	38.10	43.20
7	15.24	20.30	17	40.64	45.70
8	17.78	22.90	18	43.18	48.20
9	20.32	25.40	19	45.72	50.70
10	22.86	28.00	20	48.26	53.20
11	25.40	30.50	22	53.34	58.50

Housing

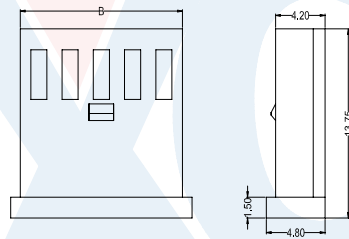
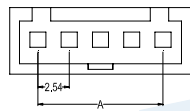
備注 (Remark)

1. 材料 (Material)

膠芯: PBT UL94V-0

Housing: PBT UL94V-0

2530H-XX-PT



2530H-XX-PT

2530H-XX-PT	PBT UL 94V-0	2530T	2530W	1,000Pcs
PART NO	Material	Suitable SWB Terminal	Mates With SWB Wafer	Q' ty/Bag

Poles	Dimensions (mm)		Poles	Dimensions (mm)	
	A	B		A	B
2	2.54	5.60	13	30.48	33.54
3	5.08	8.14	14	33.02	36.08
4	7.62	10.68	15	35.56	38.62
5	10.16	13.22	16	38.10	41.16
6	12.70	15.76	17	40.64	43.70
7	15.24	18.30	18	43.18	46.24
8	17.78	20.84	19	45.72	48.78
9	20.32	23.38	20	48.26	51.32
10	22.86	25.92	21	50.80	53.86
11	25.40	28.46	22	53.34	56.40
12	27.94	31.00			

W

WAFER

Terminal

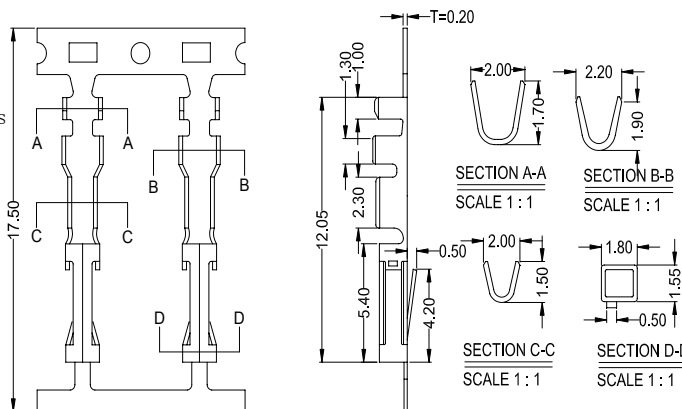
備注 (Remark)

1. 材料 (Material)

端子: 磷青銅/黃銅

Contact: Phosphor bronze/Brass

2530TF-PSN



2530TF-PSN

2530TF-PSN	Phosphor Bronze	AWG#22-26	1.55mm(Max)	Stamping Before Plating:30~50u" Ni;70~120u"Sn	2530H	15,000Pcs
PART NO	Material	Wire Range	Insulation O.D.	Finish	Used In SWB Housing	Q' ty/Reel