

**Specifications**

**Wafer**

備注 (Remark)

1. 材料 (Material)

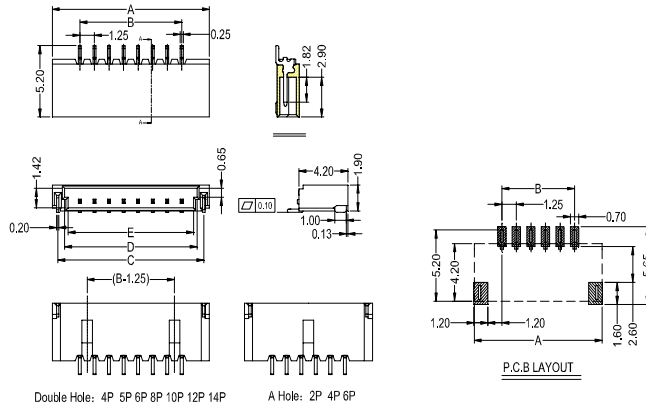
膠芯: LCP UL94V-0

Housing: LCP UL94V-0

端子: 黃銅

Contact: Brass

1255WRS-1\*XX-LPXX



1255WRS-1\*XX-LPXX

Poles	Dimensions (mm)				
	A	B	C	D	E
2	6.00	1.25	5.05	3.90	3.30
3	7.25	2.50	6.30	5.15	4.55
4	8.50	3.75	7.55	6.40	5.80
5	9.75	5.00	8.80	7.65	7.05
6	11.00	6.25	10.05	8.90	8.30
8	13.50	8.75	12.55	11.40	10.80
9	14.75	10.00	13.80	12.65	12.05
10	16.00	11.25	15.05	13.90	13.30
11	17.25	12.50	16.30	15.15	14.55
12	18.50	13.75	17.55	16.40	15.80
13	19.75	15.00	18.80	17.65	17.05
14	21.00	16.25	20.05	18.90	18.30
15	22.25	17.50	21.30	20.15	19.55
20	28.50	23.75	27.55	26.40	25.80
25	34.75	30.00	33.80	32.65	32.05
30	41.00	36.25	40.05	38.90	38.30

1255WRS-1*XX-LPV01	LCP UL 94V-0	Brass	Gold-Flash	1255H	1,000Pcs
1255WRS-1*XX-LPSW			Tin Plating Fog		
PART NO	Material	Material(Pin And Solder Tabs)	Finish(Pin And Solder Tabs)	Mates With SWB Housing	Q'ty/Reel

**Housing**

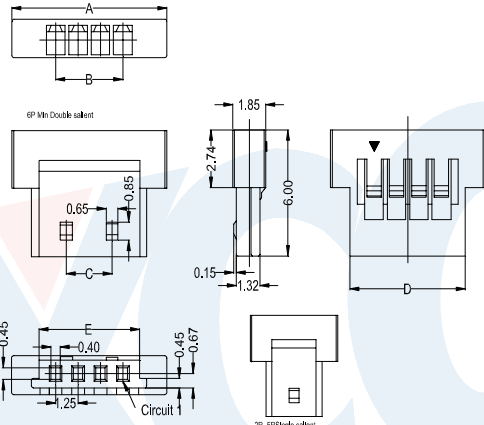
備注 (Remark)

1. 材料 (Material)

膠芯: PA66 UL94V-0

Housing: PA66 UL94V-0

1255H-1\*XX-N0



1255H-1\*XX-N0

Poles	Dimensions (mm)				
	A	B	C	D	E
2	6.10	1.25	--	3.90	3.10
3	7.35	2.50	--	5.15	4.35
4	8.60	3.75	--	6.40	5.60
5	9.85	5.00	--	7.65	6.85
6	11.10	6.25	5.04	8.90	8.10
7	12.35	7.50	6.29	10.15	9.35
8	13.60	8.75	7.54	11.40	10.60
9	14.85	10.00	8.79	12.65	11.85
10	16.10	11.25	10.04	13.90	13.10
11	17.35	12.50	11.29	15.15	14.35
12	18.60	13.75	12.54	16.40	15.60
13	19.85	15.00	13.79	17.65	16.85
14	21.10	16.25	15.04	18.90	18.10
15	22.35	17.50	16.29	20.15	19.35
16	23.60	18.75	17.54	21.40	20.60
20	28.60	23.75	22.54	26.40	25.60
25	34.85	30.00	28.79	32.65	31.85
30	41.10	36.25	35.04	38.90	38.10

1255H-1*XX-N0HF	PA66 UL 94V-0 Halogen Free	1255T	1255W	1,000Pcs
1255H-1*XX-N0	PA66 UL 94V-0 With Halogen			
PART NO	Material	Suitable SWB Terminal	Mates With SWB Wafer	Q'ty/Bag

**Terminal**

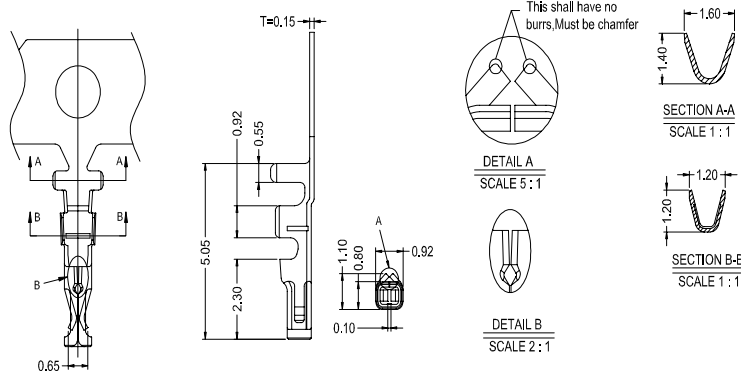
備注 (Remark)

1. 材料 (Material)

端子: 磷青銅

Contact: Phosphor bronze

1255T-PXX



1255T-PXX

1255T-PV01	Phosphor Bronze	AWG#28-32	0.90mm(Max)	Stamping Before Plating:30-50u" Ni/Whole Gold :Gold Flash	1255H	20,000Pcs
1255T-PSN	Phosphor Bronze	AWG#28-32	0.90mm(Max)	Stamping Before Plating:30-50u" Ni/70-120u"Sn		
PART NO	Material	Wire Range	Insulation O.D.	Finish	Used In SWB Housing	Q'ty/Reel