

Specifications

Wafer

備注 (Remark)

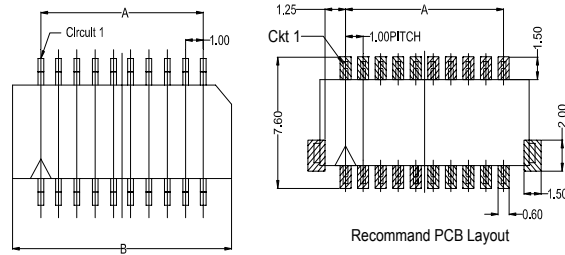
1. 材料 (Material)

膠芯: PA46/PA66 UL94V-0

Housing: PA46/PA66 UL94V-0

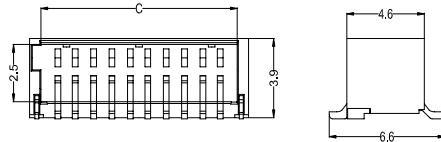
端子: 黃銅

Contact: Brass



1102WRS-2*XX-XXV01

1102WRS-2*XX-XXV01



1102WRS-2*XX-46V01	Nylon 46 UL 94V-0	Brass	Tin-Plated	1102H	1,000Pcs
1102WRS-2*XX-N0V01	Nylon 66 UL 94V-0	Brass	Gold-Flash	1102H	1,000Pcs
PART NO	Material	Material(Pin)	Finish(Pin)	Mates With CSWB Housing	Q' ty/Reel

Poles	Dimensions (mm)			Poles	Dimensions (mm)		
	A	B	C		A	B	C
06	2.00	5.60	4.20	24	11.00	14.60	13.20
08	3.00	6.60	5.20	26	12.00	15.60	14.20
10	4.00	7.60	6.20	28	13.00	16.60	15.20
12	5.00	8.60	7.20	30	14.00	17.60	16.20
14	6.00	9.60	8.20	32	15.00	18.60	17.20
16	7.00	10.60	9.20	34	16.00	19.60	18.20
18	8.00	11.60	10.20	36	17.00	20.60	19.20
20	9.00	12.60	11.20	40	19.00	22.60	21.20
22	10.00	13.60	12.20	50	24.00	27.60	26.20

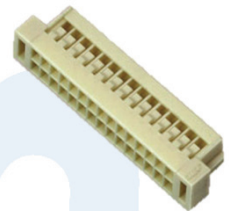
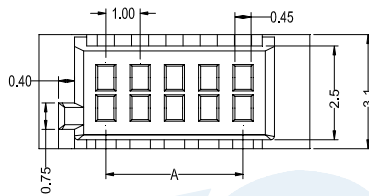
Housing

備注 (Remark)

1. 材料 (Material)

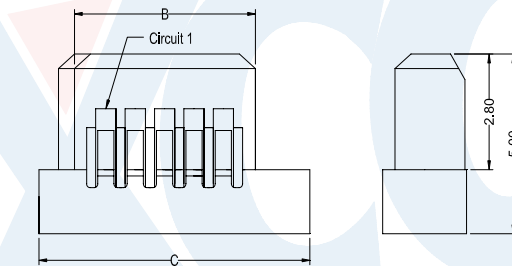
膠芯: PA46 UL94V-0

Housing: PA46 UL94V-0



1102H-2*XX-46

1102H-2*XX-46



1102H-2*XX-46	Nylon 46 UL 94V-0	1102T	1102W	1,000Pcs
PART NO	Material	Suitable CSWB Terminal	Mates With CSWB Wafer	Q' ty/Bag

Poles	Dimensions (mm)		
	A	B	C
06	2.00	4.00	6.60
08	3.00	5.00	7.60
10	4.00	6.00	8.60
12	5.00	7.00	9.60
14	6.00	8.00	10.60
16	7.00	9.00	11.60
18	8.00	10.00	12.60
20	9.00	11.00	13.60
22	10.00	12.00	14.60
24	11.00	13.00	15.60
26	12.00	14.00	16.60
28	13.00	15.00	17.60
30	14.00	16.00	18.60
32	15.00	17.00	19.60
34	16.00	18.00	20.60
36	17.00	19.00	21.60
50	24.00	26.00	28.60

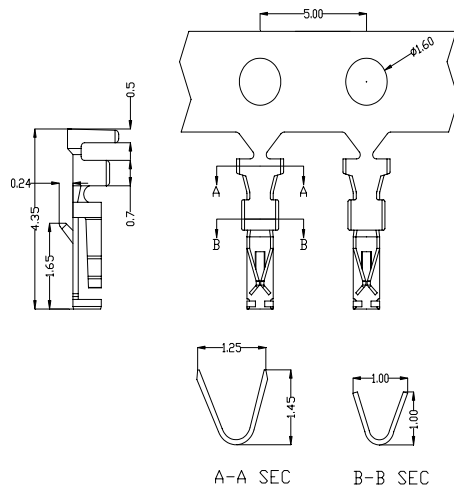
Terminal

備注 (Remark)

1. 材料 (Material)

端子: 磷青銅

Contact: Phosphor bronze



1102T-PXX

1102T-PXX

1102T-PSN	Phosphor Bronze	AWG#28-32	0.80mm(Max)	Stamping Before Pating:30-50u" Ni;Whole Gold :1u" Min.	1102H	20,000Pcs
1102T-PV01	Phosphor Bronze	AWG#28-32	0.80mm(Max)	Stamping Before Pating:30-50u" Ni;Whole Gold :1u" Min.	1102H	20,000Pcs
PART NO	Material	Wire Range	Insulation O.D.	Finish	Used In CSWB Housing	Q' ty/Reel