

**Specifications**

**Terminal**

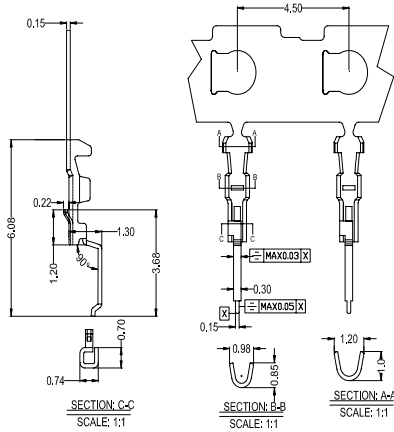
備注 (Remark)

1. 材料 (Material)

端子: 磷青銅

Contact: Phosphor bronze

7904T-PXX-B



7904T-PXX-B

7904T-PV03-B	Phosphor Bronze	AWG#28-32	0.75mm(Max)	Stamping Before Pating;30~50u" Ni;Whole Gold .3u" Min.	7904H	15,000Pcs
7904T-PV05-B				Stamping Before Pating;30~50u" Ni;Whole Gold .5u" Min.		
7904T-PG05-B				Stamping Before Pating;30~50u" Ni;Contact Area Gold;5u" Min.		
PART NO	Material	Wire Range	Insulation O.D.	Finish	Used In Housing	Qty/Reel

**Housing**

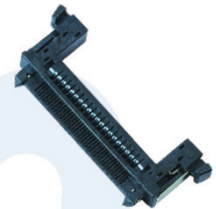
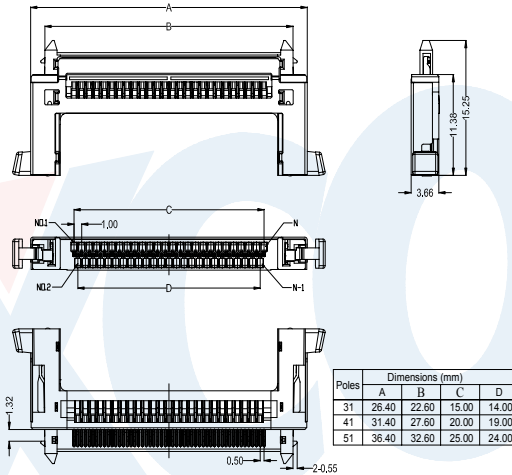
備注 (Remark)

1. 材料 (Material)

膠芯:LCP/PA46 UL94V-0,

Housing:LCP/PA46 UL94V-0

7904HI-XXA-LP



7904HI-XXA-LP

7904HI-XXA-46	Nylon 46 UL 94V-0	Stainless Stell	Stainless Stell	7904T-A1, 7904T-B1	1,000Pcs
7904HI-XXA-LP	LCP UL 94V-0				
PART NO	Material	Material(Shrapnel)	Material(Shell)	Suitable Terminal	Q' ty/Bag

W

WAFER

**Housing**

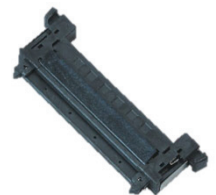
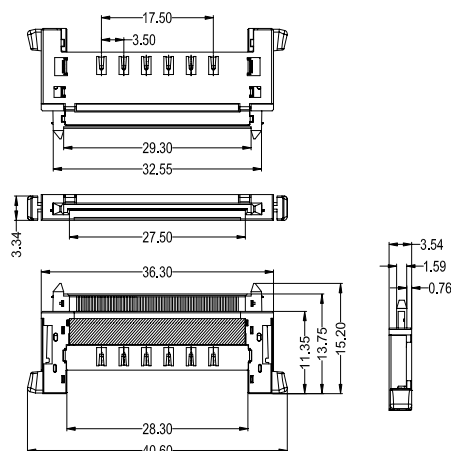
備注 (Remark)

1. 材料 (Material)

膠芯:LCP UL94V-0,

Housing:LCP UL94V-0,

7904HI-51FC-LPHF



7904HI-51FC-LPHF

7904HI-51FC-LPHF	LCP UL 94V-0	Stainless Stell	Stainless Stell	7904T-A2, 7904T-B2
PART NO	Material	Material(Shrapnel)	Material(Shell)	Suitable S Terminal