

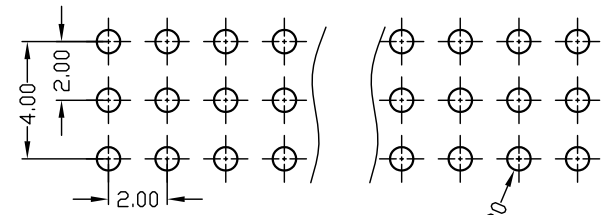
Specifications

Ordering Information

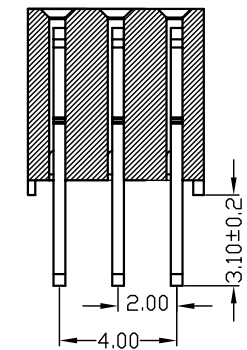
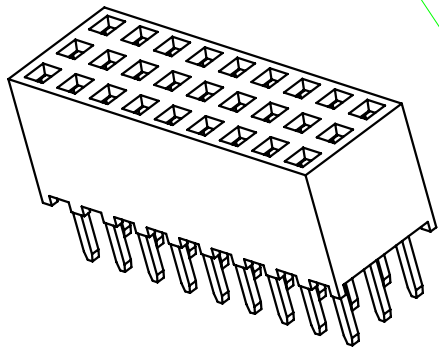
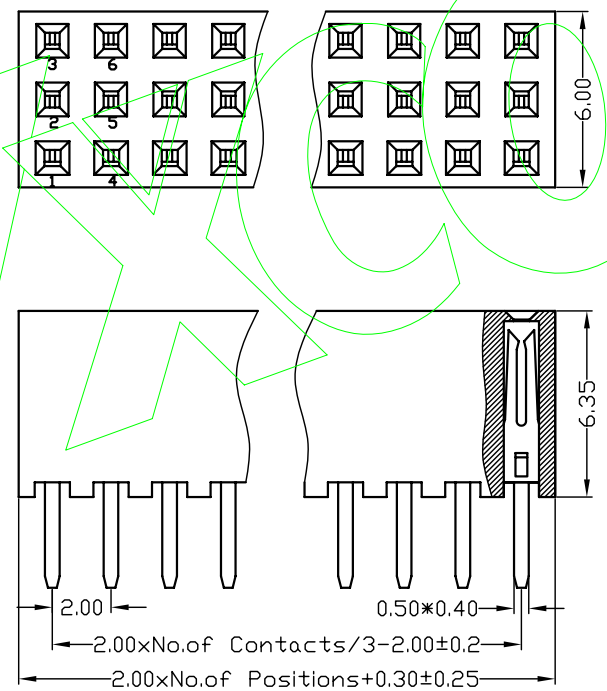
F263-13 XX XX X SY X 1

备注 (Remark)
 1. 材料 (MATERIAL)
 胶芯: PA6T/PBT+30%G. F UL94V-0, 颜色: 黑色.
 Housing: PA6T/PBT+30%G. F UL94V-0, Color: Black
 端子: 磷/青铜, 镀底30u"MIN, 表面镀金1u"MIN
 Contact: Phosphor bronze, 1u"MIN GOLD PLATING OVER ALL
 30u" MIN NICKEL UNDERPLATING OVER ALL

2. 特性 (characteristics):
 额定电流: 2 AMP
 Rating Current: 2 AMP.
 接触阻抗: 20 mΩ MAX.
 Contact Resistance: 20 mΩ MAX.
 绝缘阻抗: 1000 MΩ MIN.
 Insulating Resistance: 1000 MΩ MIN.
 耐电压: AC 500V.
 Withstanding Voltage: AC 500V.
 温度范围: -40°C to +105°C
 Temperature Range: -40°C to +105°C



NO.OF PINS PER ROW	Contact Plating	INSULATOR MATERIAL:	PACKING
3-40P	Full Of Gold	A: PBT	A: PE Bag
	Semi-gold	B: PA6T	B: Tape & Reel
	A0=0.8u"	C: PA9T	C: Tube
	A1=1u"	D: LCP	D: Tube+CAP
	A2=1.5u"		E: Tray
	A3=2u"		
	A4=3u"		
	A5=5u"		
	A6=10u"		
	A7=15u"		
	A8=20u"		
	A9=30u"		
	S1=Ordinary Tin Plated		
	S2=Matte Tin Plated		
	S3=Tin-plated High-temperature		



				OPERATION		SCALE		Fit		Yxcon 东莞市宇熙精密连接器有限公司	
				X.X	±0.25	UNIT		MM		Dongguan Yuxi Electronic Co.,Ltd.	
				X.XX	±0.20	SIZE	A4	DESIGN	卢小强	PART NO.	F263-13XXXXXXSY1
				X.XXX	±0.10	SHEET	1/1	CHECK		TITLE:	2.0mm 排母 三排 塑高6.35 180度 Y型
REV	DATE	MODIFICATION DESCRIPTION	CHANGE	APPROVE	Angle	±3°	PROJ.	APPROVE		Customer No.	
1					DIM	TOL					