

Specifications

备注 (Remark)

1. 材料 (MATERIAL)

胶芯: PA6T+30%G.F UL94V-0, 颜色: 黑色.

Housing: PA6T+30%G.F UL94V-0, Color: Black

端子: 磷铜, 镍底30u"MIN, 表面镀金1u"MIN

Contact: Phosphor, 1u"MIN GOLD PLATING OVER ALL
30u" MIN NICKEL UNDERPLATING OVER ALL

2. 特性 (characteristics):

额定电流: 1 AMP

Rating Current: 1 AMP.

接触阻抗: 20 mΩ MAX.

Contact Resistance: 20 mΩ MAX.

绝缘阻抗: 1000 MΩ MIN.

Insulating Resistance: 1000 MΩ MIN.

耐电压: AC 500V.

Withstanding Voltage: AC 500V.

温度范围: -40°C to+105°C

Temperture Range: -40°C to+105°C

Ordering Information

F446-12 XX XX X MY X 1

NO. OF PINS
PER ROW
2-50P

Contact Plating

Full Of Gold

A0=0.8u"

A1=1u"

A2=1.5u"

A3=2u"

A4=3u"

A5=5u"

A6=10u"

A7=15u"

A8=20u"

A9=30u"

S1=Ordinary Tin Plated

S2=Matte Tin Plated

S3=Tin-plated High-temperature

INSULATOR

MATERIAL:

B:PA6T

C:PA9T

D:LCP

PACKING

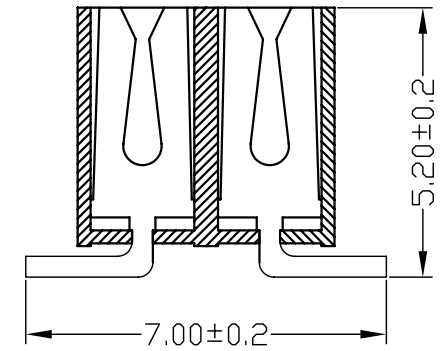
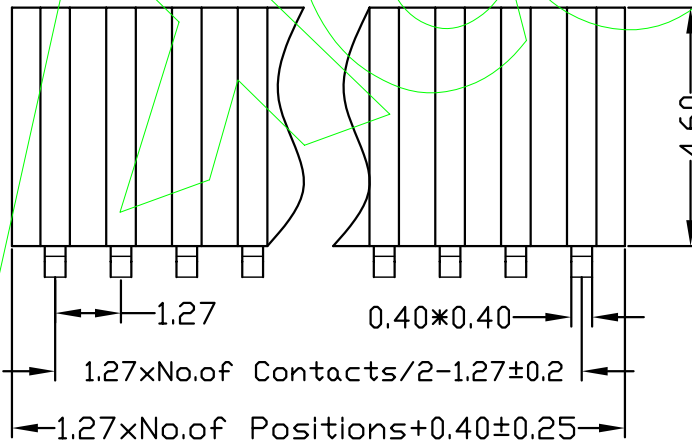
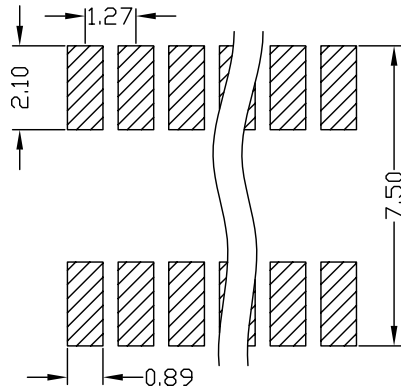
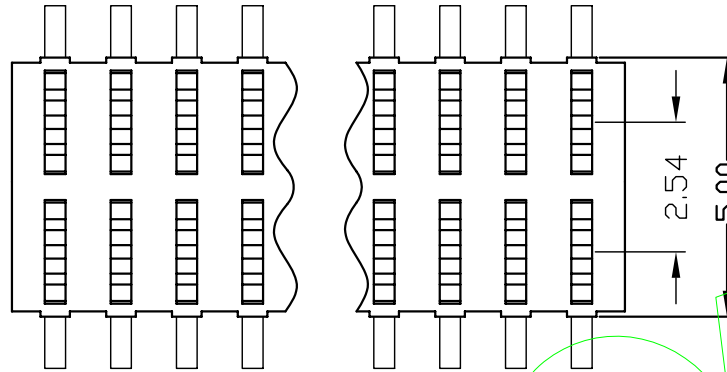
A:PE Bag

B:Tape & Reel

C:Tube

D:Tube+CAP

E:Tray



VOID

				OPERATION		SCALE		Fit		东莞市宇熙精密连接器有限公司 Dongguan Yuxi Electronic Co.,Ltd.	
				X.X	±0.25	UNIT		MM			
				X.XX	±0.20	SIZE	A4	DESIGN	卢小强	PART NO.	F446-12XXXXXXMY1
				X.XXX	±0.10	SHEET	1/1	CHECK		TITLE:	1.27mm*2.54 双排母 塑高4.6 SMT Y型
REV	DATE	MODIFICATION DESCRIPTION		CHANGE	APPROVE	DIM	TOL	PROJ.		APPROVE	Customer No.