

# Specifications

备注 (Remark)

1. 材料 (MATERIAL)

胶芯: LCP+30%G. F UL94V-0, 颜色: 黑色.

Housing: LCP+30%G. F UL94V-0, Color: Black

端子: 磷/青铜, 镀底30u"MIN, 表面镀金1u"MIN

Contact: Phosphor bronze, 1u"MIN GOLD PLATING OVER ALL  
30u" MIN NICKEL UNDERPLATING OVER ALL

2. 特性 (characteristics):

额定电流: 0.75 AMP

Rating Current: 0.75 AMP.

接触阻抗: 20 mΩ MAX.

Contact Resistance: 20 mΩ MAX.

绝缘阻抗: 1000 MΩ MIN.

Insulating Resistance: 1000 MΩ MIN.

耐电压: AC 500V.

Withstanding Voltage: AC 500V.

温度范围: -40°C to +105°C

Temperature Range: -40°C to +105°C

# Ordering Information

F631-12 XX XX D MT X 2

NO. OF PINS  
PER ROW  
2-50P

Contact Plating

Full Of Gold

A0=0.8u"

A1=1u"

A2=1.5u"

A3=2u"

A4=3u"

A5=5u"

A6=10u"

A7=15u"

A8=20u"

A9=30u"

S1=Ordinary Tin Plated

S2=Matte Tin Plated

S3=Tin-plated High-temperature

Semi-gold

B0=0.8U"

B1=1U"

B2=1.5U"

B3=2U"

B4=3U"

B5=5U"

B6=10U"

B7=15U"

B8=20U"

B9=30U"

INSULATOR

MATERIAL:

D:LCP

PACKING

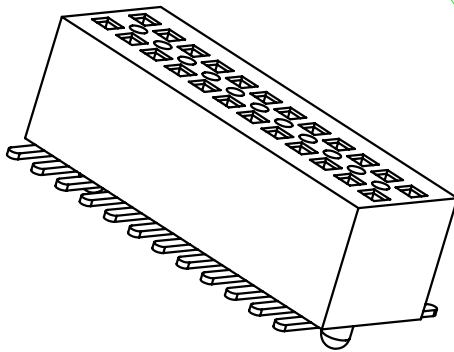
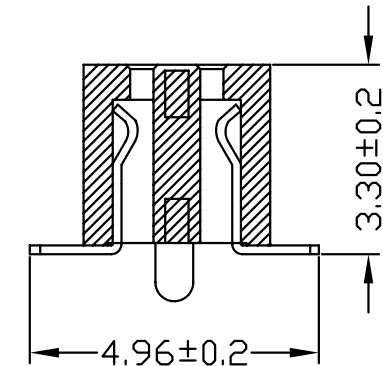
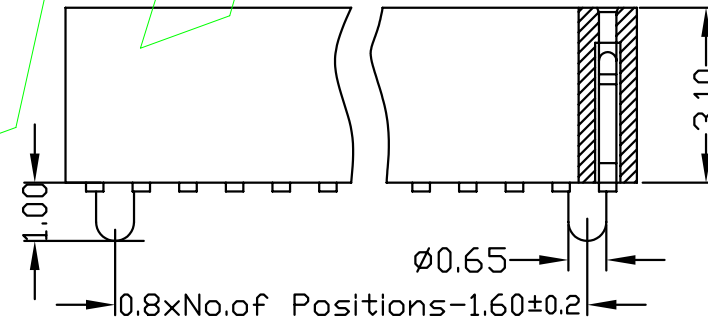
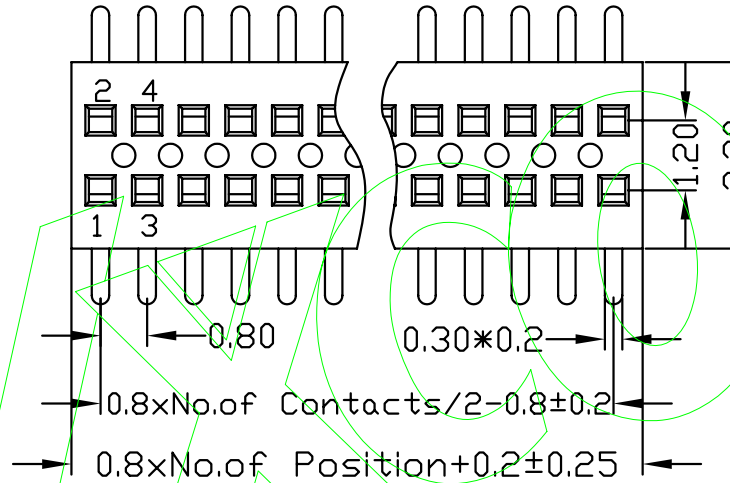
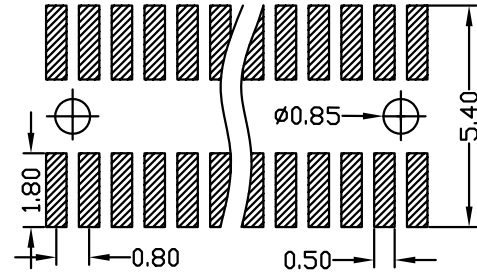
A:PE Bag

B:Tape & Reel

C:Tube

D:Tube+CAP

E:Tray



				OPERATION		SCALE		Fit		东莞市宇熙精密连接器有限公司 Dongguan Yuxi Electronic Co.,Ltd.	
				X.X	±0.25	UNIT		MM			
				X.XX	±0.20	SIZE	A4	DESIGN	卢小强	PART NO.	F631-12XXXXDMTX2
				X.XXX	±0.10	SHEET	1/1	CHECK		TITLE:	0.8X1.2 双排母 塑高3.1 SMT 带柱
REV	DATE	MODIFICATION DESCRIPTION	CHANGE	APPROVE	Ang le	±3°	PROJ.	APPROVE		Customer No.	
					DIM	TOL					